

John Deere 700J-II (SN. from D306726) Crawler Dozer Operation & Test Technical Manual (TM14224X19)

**700J-II Crawler Dozer
Operation and Test**
(PIN: 1T0700JJ__D306726—)



JOHN HARE



COLLECTION

OPERATION & TEST TECHNICAL MANUAL 700J-II Crawler Dozer (PIN: 1T0700JJ__D306726—)

TM14224X19 01DEC18 (ENGLISH)

For complete service information also see:

PowerTech 4.5L & 6.8L Diesel Engines Tier 1/Stage I, Tier 2/Stage II, Tier 3/Stage IIIA, Tier 3/Stage IIA Tier 3/Stage III, (Base Engine)..... ctm104
PowerTech E 4.5 and 6.8L Diesel Engines Level 16 Electronic Fuel System With Denso HPCR..... ctm502
Alternators and Starting Motors..... 77
700J-II Crawler Dozer Repair.....
4000S Winches.....
Hydraulic Cylinders.....
Super Caddy Oil Cleanup Procedure.....



Worldwide Construction and
Forestry Division

Covers: 700J-II,1T0700JJ__,_D306726(???)

Type: Service Manual

Language: English

Pages: 480

Format: PDF

Features: Bookmarked, searchable, printable

Compatibility: Windows/Mac/Tablet/Mobile

This service manual contains important information for the maintenance, troubleshooting and servicing of the **John Deere 700J-II (SN. from D306726) Crawler Dozer Operation & Test Technical Manual (TM14224X19)**

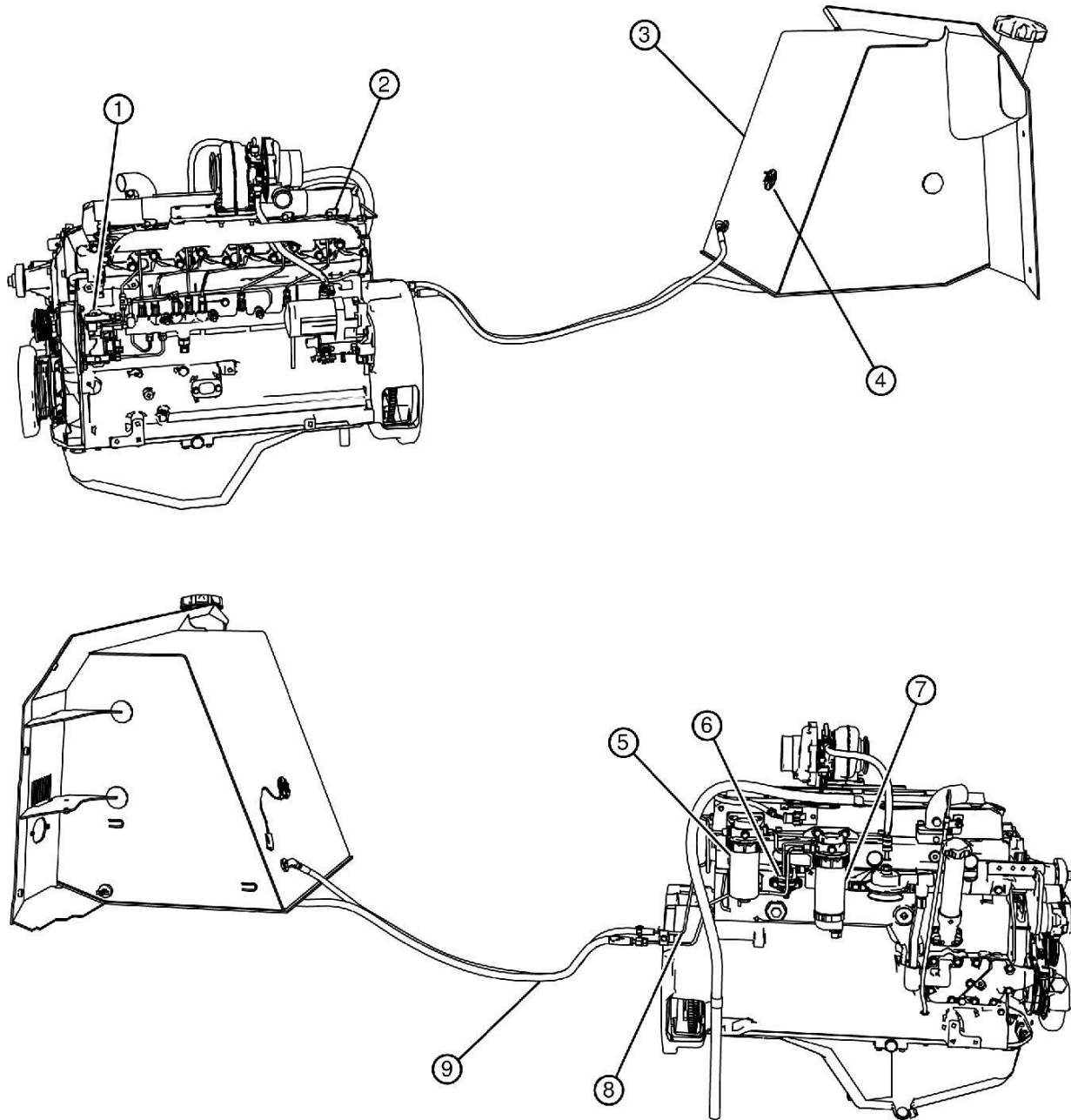
In this manual you will find detailed specifications, illustrations, schematics, diagrams and step-by-step procedures to properly service and diagnose the machine to the manufacturer's standards.

Contents:

- General Information
- Specifications
- Serial Number Location
- Engine Specifications
- Engine Diagnostics
- Engine Tests and Adjustments
- Engine Repair
- Power Train
- Transmission
- Axles
- Differential
- PTO
- Hydraulic System
- Electrical System
- Electrical Tests and Diagnostics
- Wiring Diagram / Schematic
- Ignition and Charging
- Steering
- Brakes
- Wheels
- Operator's Platform
- Body Panels
- Disassembly and Assembly
- Diagnostics, Tests and Adjustments
- Troubleshooting
- and much more...

Please note this manual is in **downloadable PDF format only**. If you have any questions about this product or would like to request sample pages, please contact us and reference the product name or SKU.

Fuel System Component Location



TX1014995

TX1014995-UN: Fuel System Component Location

LEGEND:

1-Fuel Injection Pump
2-Fuel Injection Nozzle
3-Fuel Tank

4-Fuel Level Sensor (B35)
5-Final Fuel Filter
6-Fuel Supply Pump

7-Primary Fuel Filter/Water Separator
8-Fuel Return Line
9-Fuel Supply Line



Thank you very much
for your reading.
Please click here
to get more information.