

John Deere 850J-II (SN. C306799-354851) Crawler Dozer Operation & Test Technical Manual (TM14228X19)

850J-II Crawler Dozer Operation and Test

(PIN: 1T0850JJ_ _C306799—354851)



JOHN HARE



COLLECTION

OPERATION & TEST TECHNICAL MANUAL

850J-II Crawler Dozer
(PIN: 1T0850JJ_ _C306799—354851)

TM14228X19 01DEC18 (ENGLISH)

For complete service information also see:

PowerTech 4.5L & 6.8L Diesel Engines Tier 1/Stage I, Tier 2/Stage II, Tier 3/Stage IIIA, Tier 3/Stage IIA Tier 3/Stage III, (Base Engine)..... ctm104

PowerTech E 4.5 and 6.8L Diesel Engines Level 1 Electronic Fuel System With Diesel LUDS

850J-II Crawler Dozer Repair...
Super Caddy Oil Cleanup Process



Worldwide Construction and Forestry Division

Covers: 850J-II,1T0850JJ_ _C306799 354851)

Type: Service Manual

Language: English

Pages: 486

Format: PDF

Features: Bookmarked, searchable, printable

Compatibility: Windows/Mac/Tablet/Mobile

This service manual contains important information for the maintenance, troubleshooting and servicing of the **John Deere 850J-II (SN. C306799-354851) Crawler Dozer Operation & Test Technical Manual (TM14228X19)**

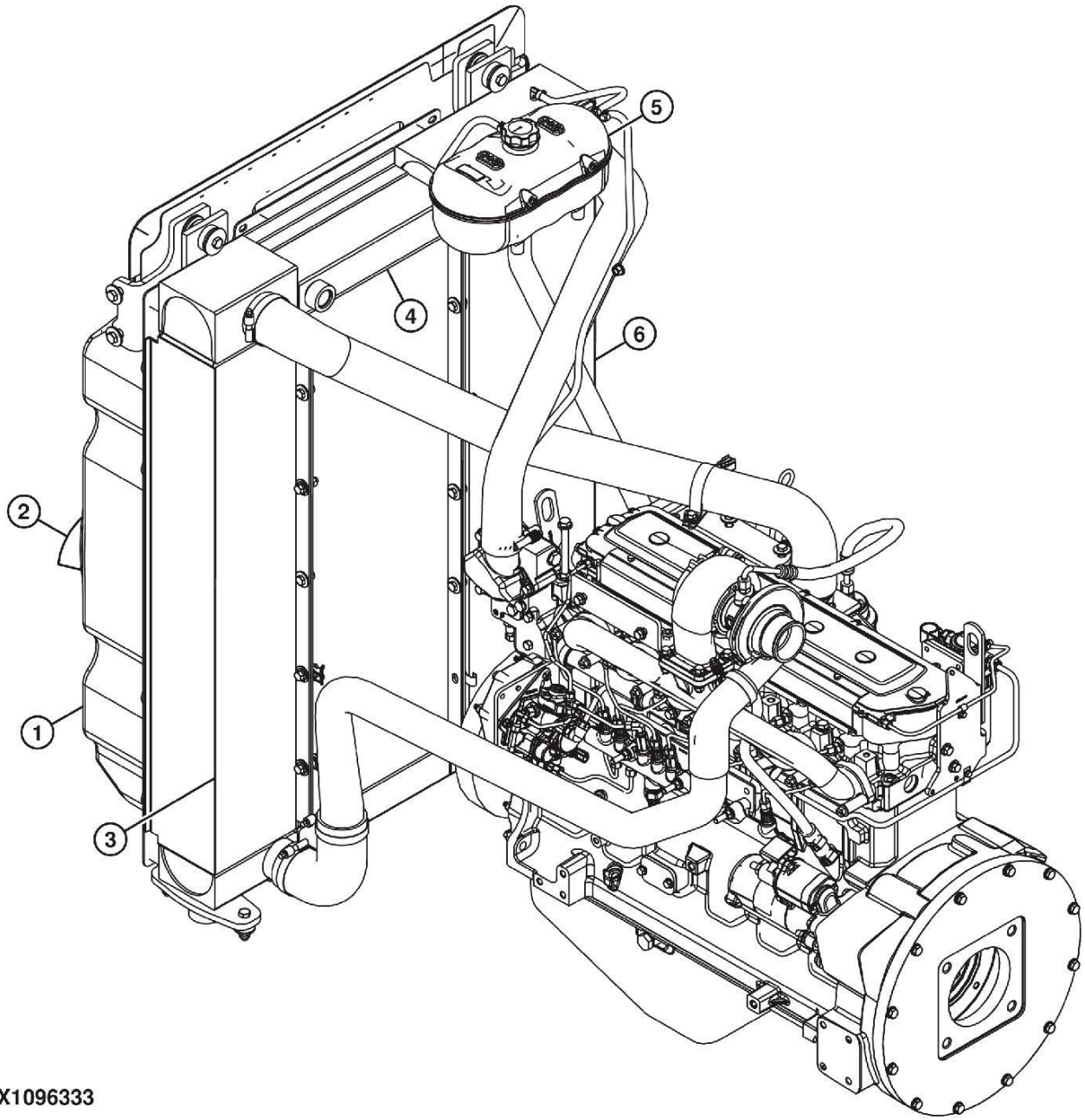
In this manual you will find detailed specifications, illustrations, schematics, diagrams and step-by-step procedures to properly service and diagnose the machine to the manufacturer's standards.

Contents:

- General Information
- Specifications
- Serial Number Location
- Engine Specifications
- Engine Diagnostics
- Engine Tests and Adjustments
- Engine Repair
- Power Train
- Transmission
- Axles
- Differential
- PTO
- Hydraulic System
- Electrical System
- Electrical Tests and Diagnostics
- Wiring Diagram / Schematic
- Ignition and Charging
- Steering
- Brakes
- Wheels
- Operator's Platform
- Body Panels
- Disassembly and Assembly
- Diagnostics, Tests and Adjustments
- Troubleshooting
- and much more...

Please note this manual is in **downloadable PDF format only**. If you have any questions about this product or would like to request sample pages, please contact us and reference the product name or SKU.

Engine Cooling System Component Location



TX1096333

TX1096333-UN: Engine Cooling System Component Location

LEGEND:

1-Fan Shroud
2-Fan

3-Charge Air Cooler
4-Hydrostatic Oil Cooler

5-Surge Tank
6-Radiator

DS35042,0000789-19-20111014



Thank you very much
for your reading.
Please click here
to get more information.