

# John Deere 9470RT, 9520RT and 9570RT Tractors (SN. 917000-) Diagnostic Technical Manual (TM147019)

9470RT, 9520RT and  
9570RT Tractors  
Diagnostic  
(SN. 917000-)



JOHN HARE



COLLECTION

DIAGNOSTIC TECHNICAL MANUAL  
9470RT, 9520RT and 9570RT Tractors (SN. 917000-)

TM147019 01DEC18 (ENGLISH)



John Deere Waterloo Works

**Covers:** 917000-);,9470RT,9520RT,9570RT

**Type:** Service Manual

**Language:** English

**Pages:** 4613

**Format:** PDF

**Features:** Bookmarked, searchable, printable

**Compatibility:** Windows/Mac/Tablet/Mobile

This service manual contains important information for the maintenance, troubleshooting and servicing of the **John Deere 9470RT, 9520RT and 9570RT Tractors (SN. 917000-) Diagnostic Technical Manual (TM147019)**

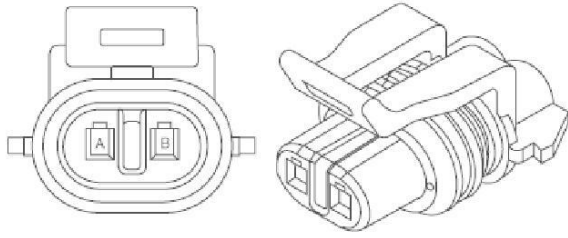
In this manual you will find detailed specifications, illustrations, schematics, diagrams and step-by-step procedures to properly service and diagnose the machine to the manufacturer's standards.

**Contents:**

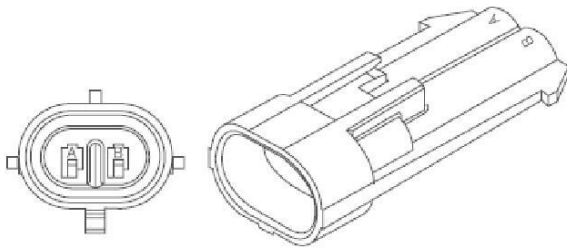
- General Information
- Specifications
- Serial Number Location
- Engine Specifications
- Engine Diagnostics
- Engine Tests and Adjustments
- Engine Repair
- Power Train
- Transmission
- Axles
- Differential
- PTO
- Hydraulic System
- Electrical System
- Electrical Tests and Diagnostics
- Wiring Diagram / Schematic
- Ignition and Charging
- Steering
- Brakes
- Wheels
- Operator's Platform
- Body Panels
- Disassembly and Assembly
- Diagnostics, Tests and Adjustments
- Troubleshooting
- and much more...

Please note this manual is in **downloadable PDF format only**. If you have any questions about this product or would like to request sample pages, please contact us and reference the product name or SKU.

### X014 Chassis to Backup Alarm Harness Interconnect

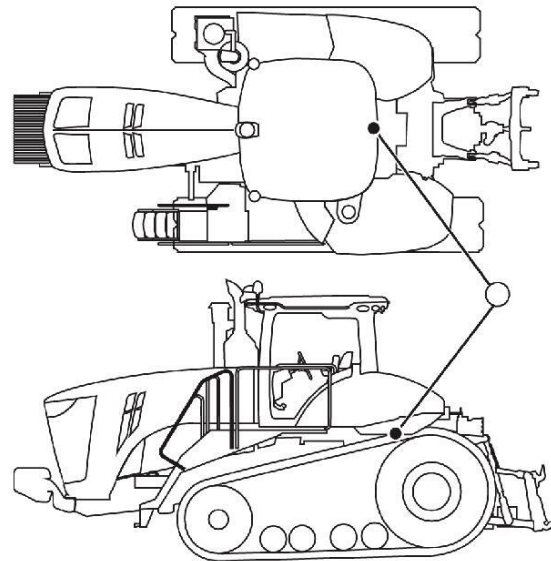


RXA0118785-UN: 2-Way (12052641)

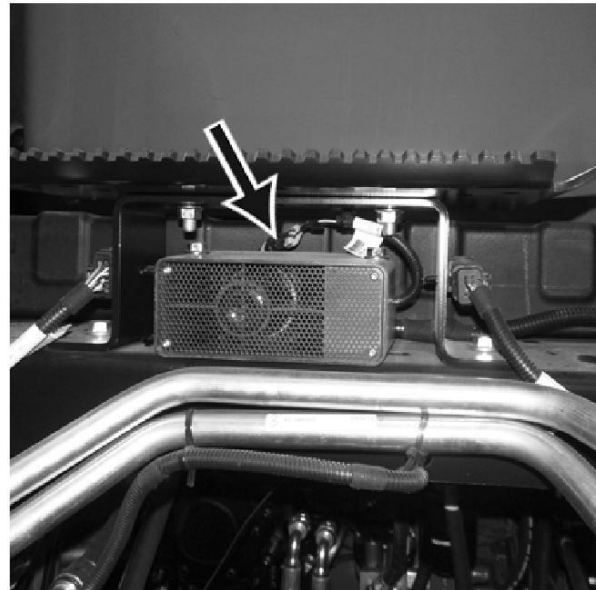


RXA0118786-UN: 2-Way (12052647)

Component Information		
Harness Information		<a href="#">W201 Backup Alarm Harness Chassis Harnesses</a>
Terminal	Circuit Number	Wire Color
A	2509	White
B	0010	Black



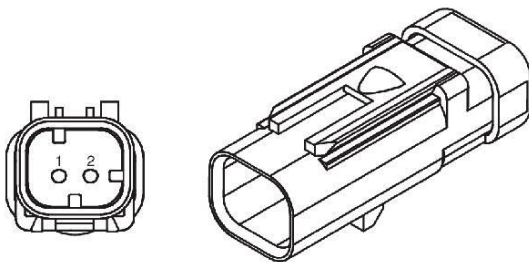
RXA0143825-UN: X014 Interconnect Location



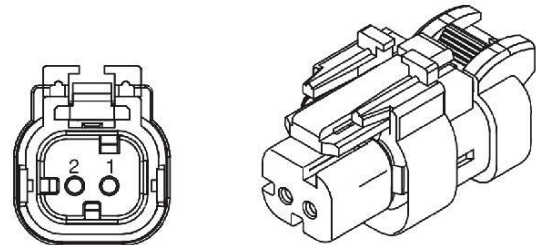
RXA0143826-UN: X014

RX33672,000E2C9-19-20161011

### X015 Key Switch Control Antenna to Immobilizer Interconnect



RXA0100087-UN: 2 way (776534-1)



RXA0107847-UN: 2 way (776522-1)

Component Information		
Harness Information		<a href="#">W101 Key Switch Control Antenna</a> <a href="#">W103 Immobilizer Control Device Harness</a>
Terminal	Circuit Number	Wire Color
A	1-ANT	
B	2-ANT	



Thank you very much  
for your reading.  
Please click here  
to get more information.