

# John Deere 950K (SN. C310401-338999) Crawler Dozer Repair Technical Service Manual (TM14259X19)

## 950K Crawler Dozer Repair

(PIN: 1T0950KP\_\_C310401—334108;  
PIN: 1T0950KS\_\_C310401—338999;  
PIN: 1T0950KL\_\_C310401—338999;  
PIN: 1T0950KX\_\_C310401—338999)



JOHN HARE



COLLECTION

### REPAIR TECHNICAL MANUAL

#### 950K Crawler Dozer

PIN: 1T0950KP\_\_C310401—334108; PIN: 1T0950KS\_\_C310401—338999;  
PIN: 1T0950KL\_\_C310401—338999; PIN: 1T0950KX\_\_C310401—338999)

TM14259X19 01DEC18 (ENGLISH)



For complete service information also see:

950K Crawler Dozer Operation and Test..... TM14258X19  
6090 Diesel Engine - Level 25 ECU..... dcm139119  
Hydraulic Cylinders..... dcm120519

Worldwide Construction and  
Forestry Division

Covers: 950K,1T0950KP\_\_,C310401 334108;;1T0950KS\_\_,C31040

**Type:** Service Manual

**Language:** English

**Pages:** 398

**Format:** PDF

**Features:** Bookmarked, searchable, printable

**Compatibility:** Windows/Mac/Tablet/Mobile

This service manual contains important information for the maintenance, troubleshooting and servicing of the **John Deere 950K (SN. C310401-338999) Crawler Dozer Repair Technical Service Manual (TM14259X19)**

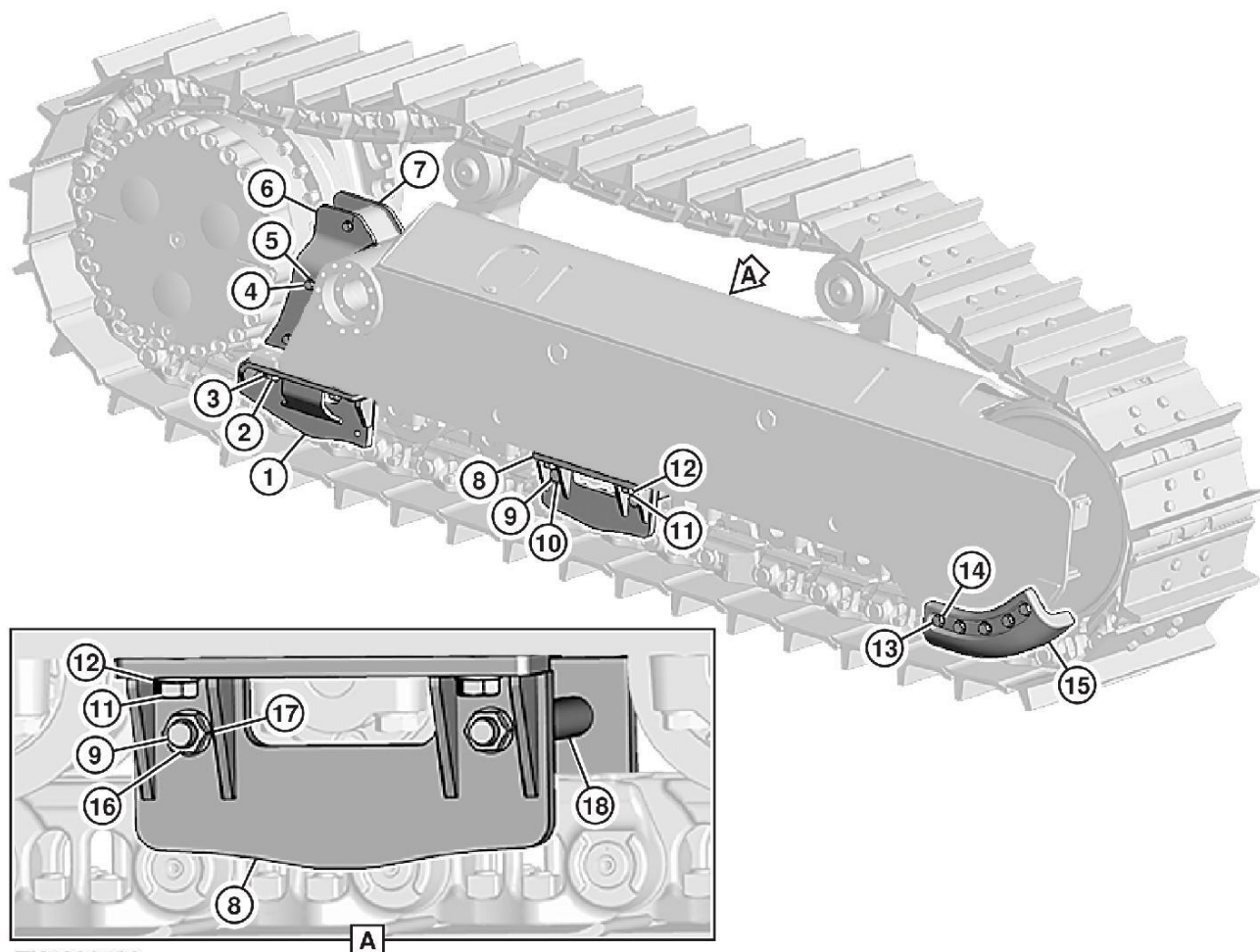
In this manual you will find detailed specifications, illustrations, schematics, diagrams and step-by-step procedures to properly service and diagnose the machine to the manufacturer's standards.

**Contents:**

- General Information
- Specifications
- Serial Number Location
- Engine Specifications
- Engine Diagnostics
- Engine Tests and Adjustments
- Engine Repair
- Power Train
- Transmission
- Axles
- Differential
- PTO
- Hydraulic System
- Electrical System
- Electrical Tests and Diagnostics
- Wiring Diagram / Schematic
- Ignition and Charging
- Steering
- Brakes
- Wheels
- Operator's Platform
- Body Panels
- Disassembly and Assembly
- Diagnostics, Tests and Adjustments
- Troubleshooting
- and much more...

Please note this manual is in **downloadable PDF format only**. If you have any questions about this product or would like to request sample pages, please contact us and reference the product name or SKU.

3.  **CAUTION:**  
Prevent possible crushing injury from heavy component. Use appropriate lifting device.



**TX1236506**

TX1236506-UN: Track Guides (right track shown)

**LEGEND:**

- |  |  |
|--|--|
| <ul style="list-style-type: none"> <li>1-Rear Track Guide (2 used)</li> <li>2-Cap Screw (8 used)</li> <li>3-Washer (8 used)</li> <li>4-Cap Screw (6 used)</li> <li>5-Washer (6 used)</li> <li>6-Outer Sprocket Guard</li> <li>7-Inner Sprocket Guard</li> <li>8-Center Track Guide (2 used)</li> <li>9-Cap Screw (2 used)</li> </ul> | <ul style="list-style-type: none"> <li>10-Washer (2 used)</li> <li>11-Cap Screw (4 used)</li> <li>12-Washer (4 used)</li> <li>13-Cap Screw (10 used)</li> <li>14-Washer (10 used)</li> <li>15-Front Track Guide (2 used)</li> <li>16-Nut (2 used)</li> <li>17-Washer (2 used)</li> <li>18-Spacer (2 used)</li> </ul> |
|--|--|

Using appropriate lifting device, remove front track guides (15).

Item	Measurement	Specification
Front Track Guide	Weight	37 kg 82 lb

4. Remove rear track guides (1).
5. Remove center track guides (8).
6. Remove outer sprocket guard (6).
7. Remove inner sprocket guard (7).
8. Clean and inspect parts. Repair or replace as necessary.

**INSTALLATION**



Thank you very much  
for your reading.  
Please click here  
to get more information.