

John Deere 950K (SN. F310401-338999) Crawler Dozer Service Repair Technical Manual (TM14165X19)

950K Crawler Dozer Repair

(PIN: 1T0950KP__F310401—334108;
PIN: 1T0950KS__F310401—338999;
PIN: 1T0950KL__F310401—338999;
PIN: 1T0950KX__F310401—338999)



JOHN HARE



COLLECTION

REPAIR TECHNICAL MANUAL



950K Crawler Dozer

(PIN: 1T0950KP__F310401—334108; PIN: 1T0950KS__F310401—338999;
PIN: 1T0950KL__F310401—338999; PIN: 1T0950KX__F310401—338999)

TM14165X19 01DEC18 (ENGLISH)

For complete service information, see the following manuals:

950K Crawler Dozer Operation and Test Procedures	TM14164X19
6090 PowerTech™ CEM Diesel Engines (Final Stage IV platform)	ctm117719
Hydraulic Cylinders	ctm120519

PDF  **DOWNLOAD** 

Worldwide Construction and Forestry Division

Covers: 950K,1T0950KP__,_F310401 334108;;1T0950KS__,_F310401

Type: Service Manual

Language: English

Pages: 415

Format: PDF

Features: Bookmarked, searchable, printable

Compatibility: Windows/Mac/Tablet/Mobile

This service manual contains important information for the maintenance, troubleshooting and servicing of the **John Deere 950K (SN. F310401-338999) Crawler Dozer Service Repair Technical Manual (TM14165X19)**

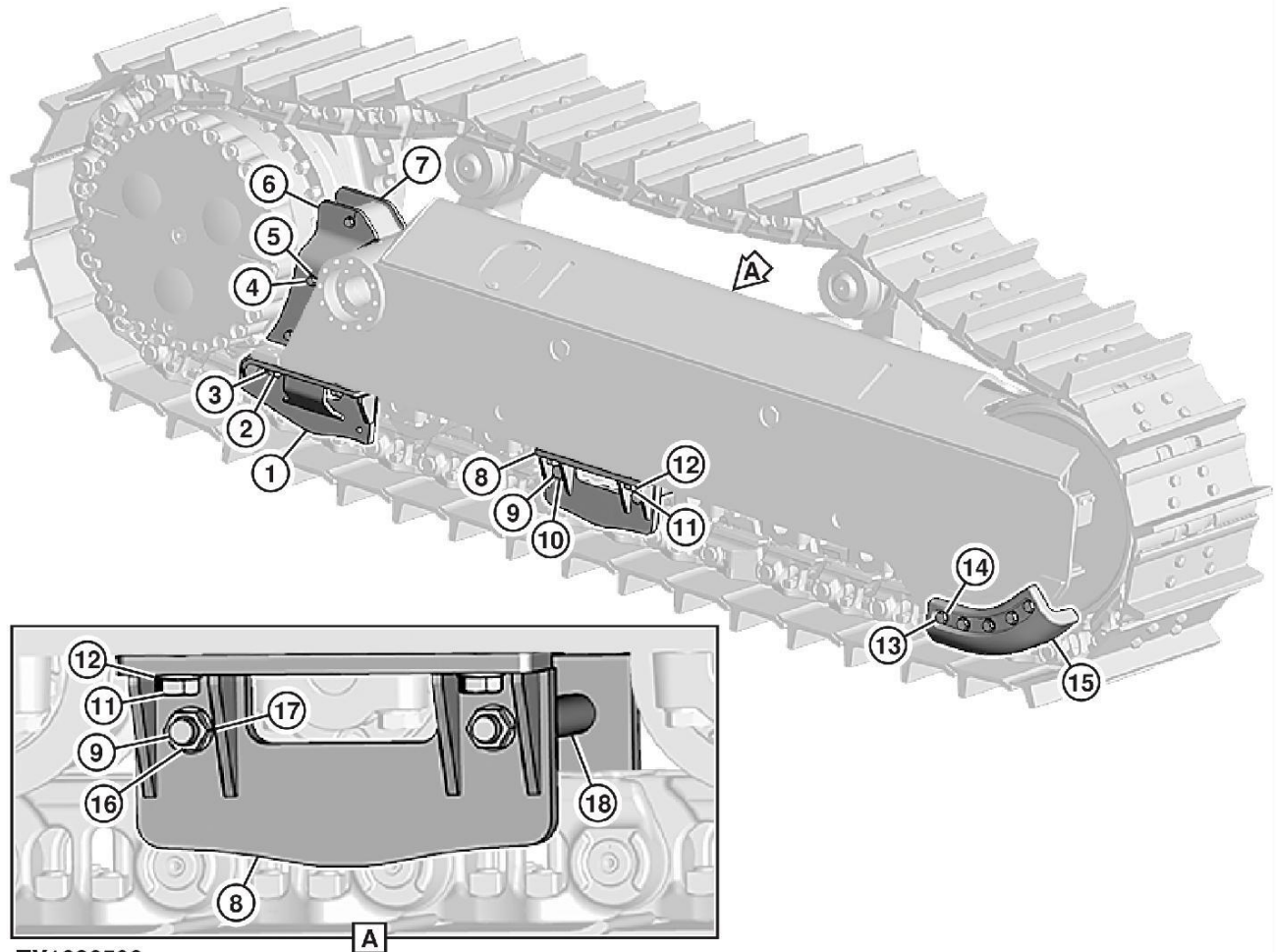
In this manual you will find detailed specifications, illustrations, schematics, diagrams and step-by-step procedures to properly service and diagnose the machine to the manufacturer's standards.

Contents:

- General Information
- Specifications
- Serial Number Location
- Engine Specifications
- Engine Diagnostics
- Engine Tests and Adjustments
- Engine Repair
- Power Train
- Transmission
- Axles
- Differential
- PTO
- Hydraulic System
- Electrical System
- Electrical Tests and Diagnostics
- Wiring Diagram / Schematic
- Ignition and Charging
- Steering
- Brakes
- Wheels
- Operator's Platform
- Body Panels
- Disassembly and Assembly
- Diagnostics, Tests and Adjustments
- Troubleshooting
- and much more...

Please note this manual is in **downloadable PDF format only**. If you have any questions about this product or would like to request sample pages, please contact us and reference the product name or SKU.

3.  **CAUTION:**
Prevent possible crushing injury from heavy component. Use appropriate lifting device.



TX1236506

TX1236506-UN: Track Guides (right track shown)

LEGEND:

- 1-Rear Track Guide (2 used)
- 2-Cap Screw (8 used)
- 3-Washer (8 used)
- 4-Cap Screw (6 used)
- 5-Washer (6 used)
- 6-Outer Sprocket Guard
- 7-Inner Sprocket Guard
- 8-Center Track Guide (2 used)
- 9-Cap Screw (2 used)

- 10-Washer (2 used)
- 11-Cap Screw (4 used)
- 12-Washer (4 used)
- 13-Cap Screw (10 used)
- 14-Washer (10 used)
- 15-Front Track Guide (2 used)
- 16-Nut (2 used)
- 17-Washer (2 used)
- 18-Spacer (2 used)

Using appropriate lifting device, remove front track guides (15).

Item	Measurement	Specification
Front Track Guide	Weight	37 kg 82 lb

4. Remove rear track guides (1).
5. Remove center track guides (8).
6. Remove outer sprocket guard (6).
7. Remove inner sprocket guard (7).
8. Clean and inspect parts. Repair or replace as necessary.

INSTALLATION



Thank you very much
for your reading.
Please click here
to get more information.