

John Deere 9560STS, 9660STS, 9760STS and 9860STS Combines Diagnosis and Test Service Manual (TM2182)

9560 STS, 9660 STS, 9760 STS and 9860 STS Combines Diagnosis

OPERATION AND TEST MANUAL

9860 STS, 9660 STS, 9760 STS, 9560 STS

TM2182 16JAN15 (ENGLISH)

For complete service information also see:

925D (705701-), 930D (705851-), 936D (705951-) Draper Platforms - Diagnostic tm2174

900P Belt Pickup (705101-) - Diagnosis and Test tm2170

90 Series Corn Heads (705101-) - Diagnostic tm2168

600 F&R Series Cutting Platforms Diagnostic tm2166

50A Row-Crop Heads (695201-) tm1891

900P Belt Pick-Up Heads (-695300) Platforms, 50A Row-Crop Heads - Diagnosis, Test & Repair

925D, 930D & 936D Draper Platforms - Diagnostic, Test & Repair

Rubber Track System tm1705

200 and 900 Series Cutting Platforms, 40 and 90 Series Corn Heads, 50 and 50A Series Row-Crop Heads tm1581

PowerTech 8.1L Diesel Engines Level 9 Electronic Fuel System With Denso High Pressure Common Rail ctm255

PowerTech 10.5 L & 12.5 L Diesel Engines, Level 6 Electronic Fuel Systems with Lucas EUIs ctm188

120 Series Hydraulic Cylinders ctm120519



DOWNLOAD



John Deere Agriculture

Covers: 9560STS,9660STS,9760STS,9860STS

Type: Service Manual

Language: English

Pages: 6181

Format: PDF

Features: Bookmarked, searchable, printable

Compatibility: Windows/Mac/Tablet/Mobile

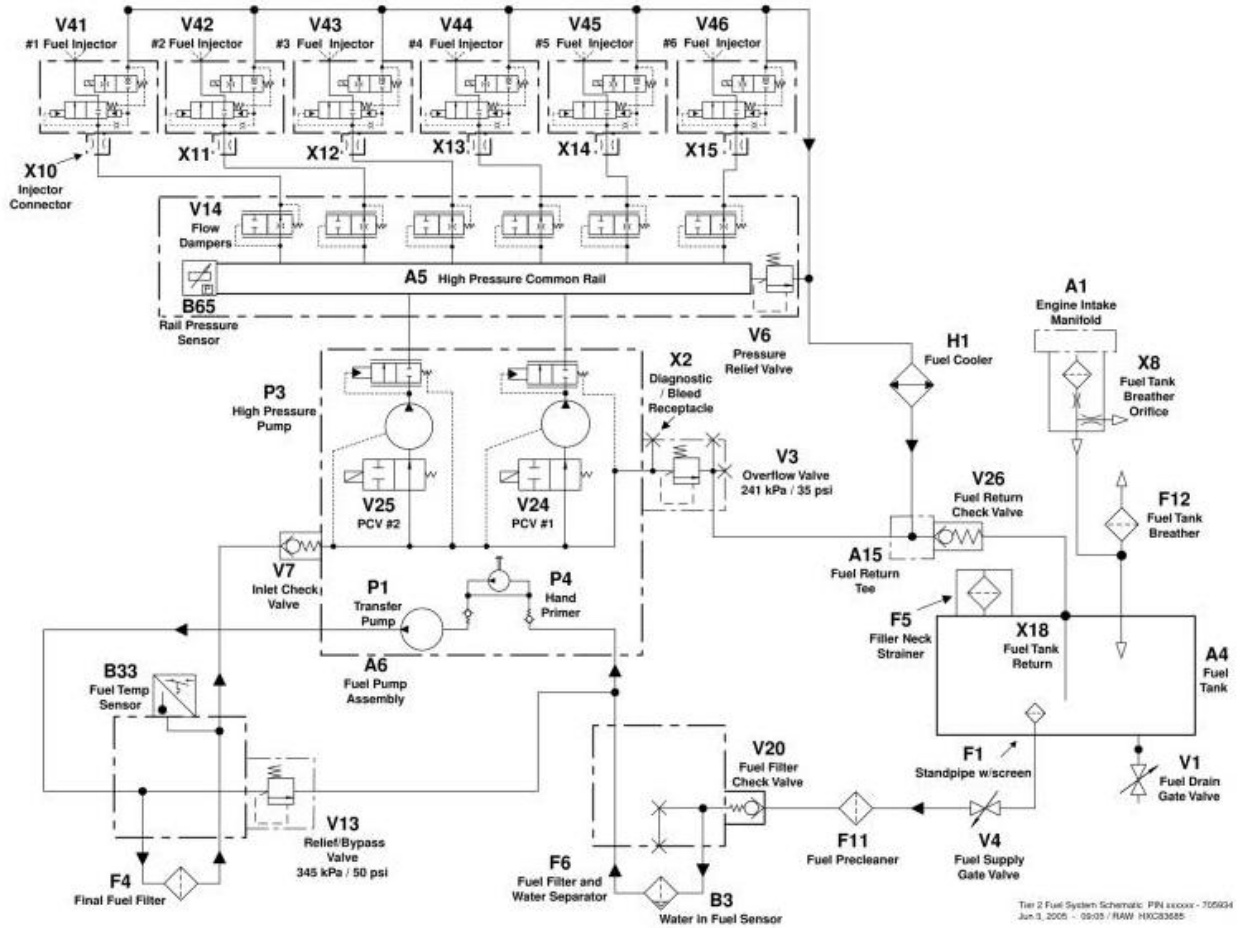
This service manual contains important information for the maintenance, troubleshooting and servicing of the **John Deere 9560STS, 9660STS, 9760STS and 9860STS Combines Diagnosis and Test Service Manual (TM2182)**

In this manual you will find detailed specifications, illustrations, schematics, diagrams and step-by-step procedures to properly service and diagnose the machine to the manufacturer's standards.

Contents:

- General Information
- Specifications
- Serial Number Location
- Engine Specifications
- Engine Diagnostics
- Engine Tests and Adjustments
- Engine Repair
- Power Train
- Transmission
- Axles
- Differential
- PTO
- Hydraulic System
- Electrical System
- Electrical Tests and Diagnostics
- Wiring Diagram / Schematic
- Ignition and Charging
- Steering
- Brakes
- Wheels
- Operator's Platform
- Body Panels
- Disassembly and Assembly
- Diagnostics, Tests and Adjustments
- Troubleshooting
- and much more...

Please note this manual is in **downloadable PDF format only**. If you have any questions about this product or would like to request sample pages, please contact us and reference the product name or SKU.



Tier 2 Fuel System Schematic: PW xxxxxx - 705934
Jun 3, 2005 - 09:05 / RAW: HXC33685

Fuel system schematic for PW xxxxxx-5705934



Thank you very much
for your reading.
Please click here
to get more information.