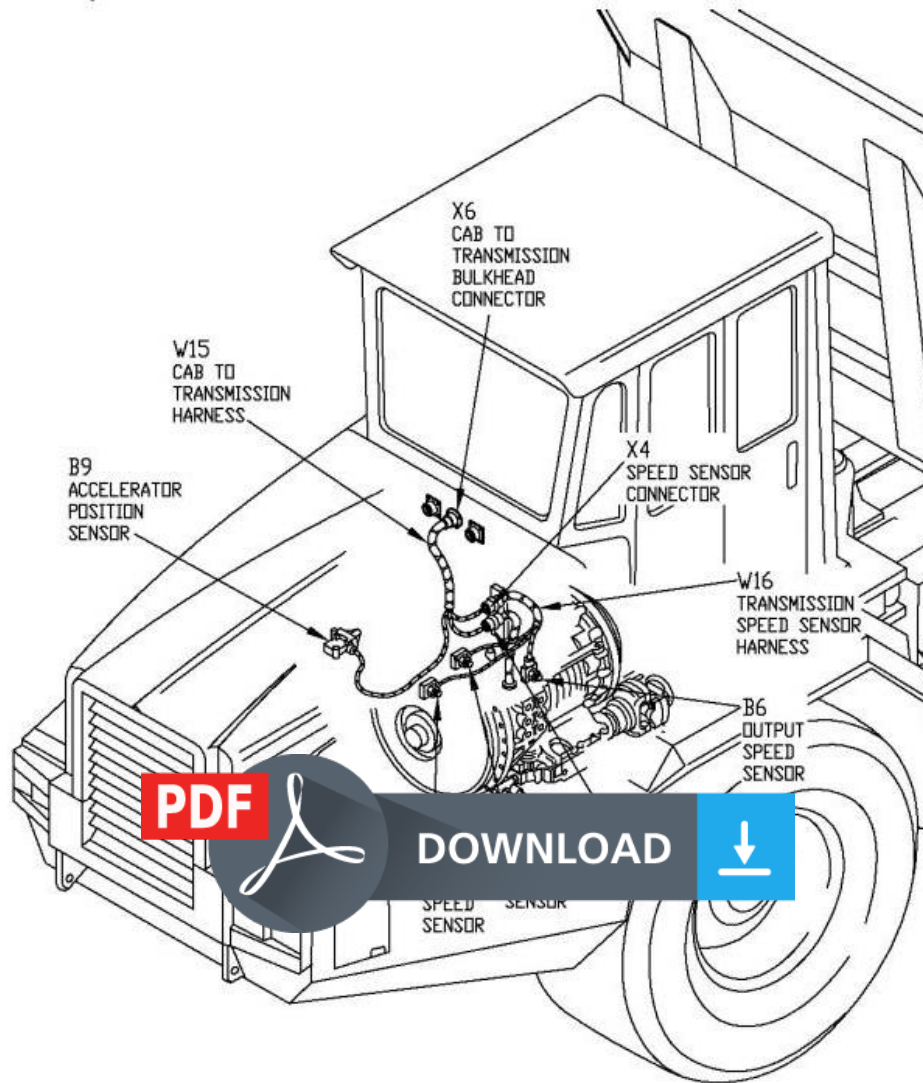


John Deere BELL B35C and B40C Articulated Dump Truck Service Repair Technical Manual - TM1816

Section 16 - ELECTRICAL SYSTEM

Group 1674: Wiring Harness and Switches

Cab-To-Transmission (W15) And Speed Sensor Harness (W16) Component Location



PDF



DOWNLOAD



T124076

Cab-to-Transmission (W15) and Speed Sensor Harness (W16) Component Location

LEGEND:

B6 Output Speed Sensor
B7 Turbine Speed Sensor

[<- Go to Section.TOC](#)

Section 16 page 71

tm1816-REPAIR TECHNICAL MANUAL

Covers: B35C,B40C

Type: Service Manual

Language: English

Pages: 1056

Format: PDF

Features: Bookmarked, searchable, printable

Compatibility: Windows/Mac/Tablet/Mobile

This service manual contains important information for the maintenance, troubleshooting and servicing of the **John Deere BELL B35C and B40C Articulated Dump Truck Service Repair Technical Manual - TM1816**

In this manual you will find detailed specifications, illustrations, schematics, diagrams and step-by-step procedures to properly service and diagnose the machine to the manufacturer's standards.

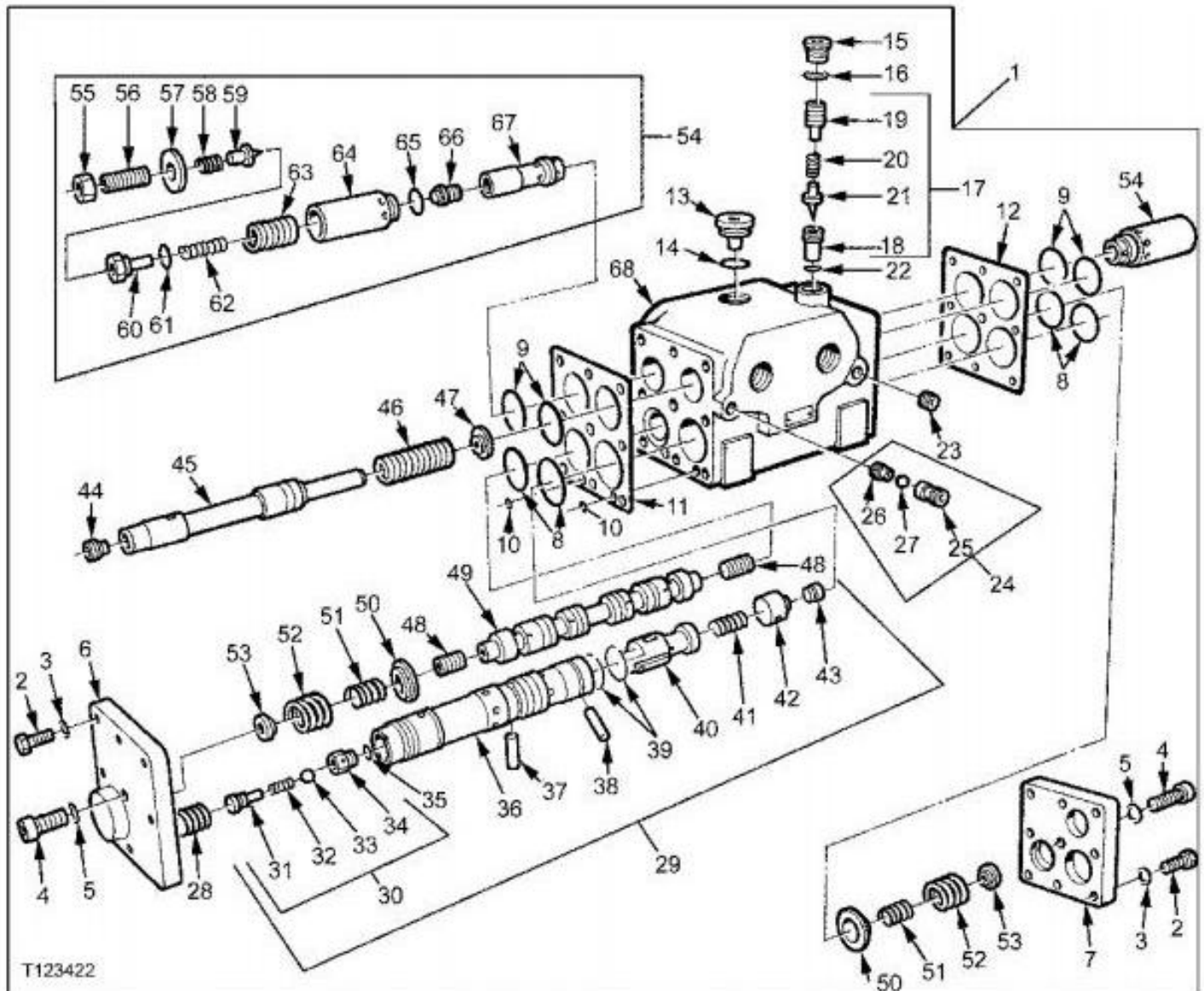
Contents:

- General Information
- Specifications
- Serial Number Location
- Engine Specifications
- Engine Diagnostics
- Engine Tests and Adjustments
- Engine Repair
- Power Train
- Transmission
- Axles
- Differential
- PTO
- Hydraulic System
- Electrical System
- Electrical Tests and Diagnostics
- Wiring Diagram / Schematic
- Ignition and Charging
- Steering
- Brakes
- Wheels
- Operator's Platform
- Body Panels
- Disassembly and Assembly
- Diagnostics, Tests and Adjustments
- Troubleshooting
- and much more...

Please note this manual is in **downloadable PDF format only**. If you have any questions about this product or would like to request sample pages, please contact us and reference the product name or SKU.

Disassemble and Assemble Flow Amplifier Valve

[1] -



T123422

Flow Amplifier Valve

LEGEND:

1	Flow Amplifier Valve
2	Cap Screw (16 used)
3	Lock Washer (16 used)
4	Cap Screw (2 used)
5	Lock Washer (2 used)
6	Cover
7	Cover
8	O-Ring (4 used)
9	O-Ring (4 used)
10	O-Ring (4 used)
11	Plate
12	Plate
13	Plug
14	O-Ring
15	Plug
16	Seal
17	Steering Pressure Relief Valve
18	Housing
19	Pressure Adjuster
20	Spring



Thank you very much
for your reading.
Please click here
to get more information.