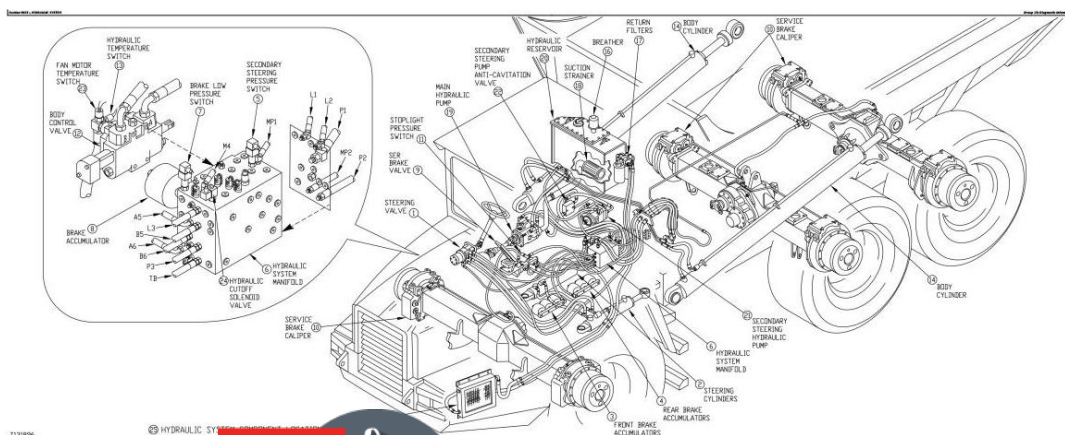


# John Deere Bell B25C Articulated Dump Truck Diagnostic, Operation and Test Service Manual (tm1811)



T12096  
Hydraulic System Diagram

HYDRAULIC SYSTEM



DOWNLOAD



**Type:** Service Manual

**Language:** English

**Pages:** 676

**Format:** PDF

**Features:** Bookmarked, searchable, printable

**Compatibility:** Windows/Mac/Tablet/Mobile

This service manual contains important information for the maintenance, troubleshooting and servicing of the **John Deere Bell B25C Articulated Dump Truck Diagnostic, Operation and Test Service Manual (tm1811)**

In this manual you will find detailed specifications, illustrations, schematics, diagrams and step-by-step procedures to properly service and diagnose the machine to the manufacturer's standards.

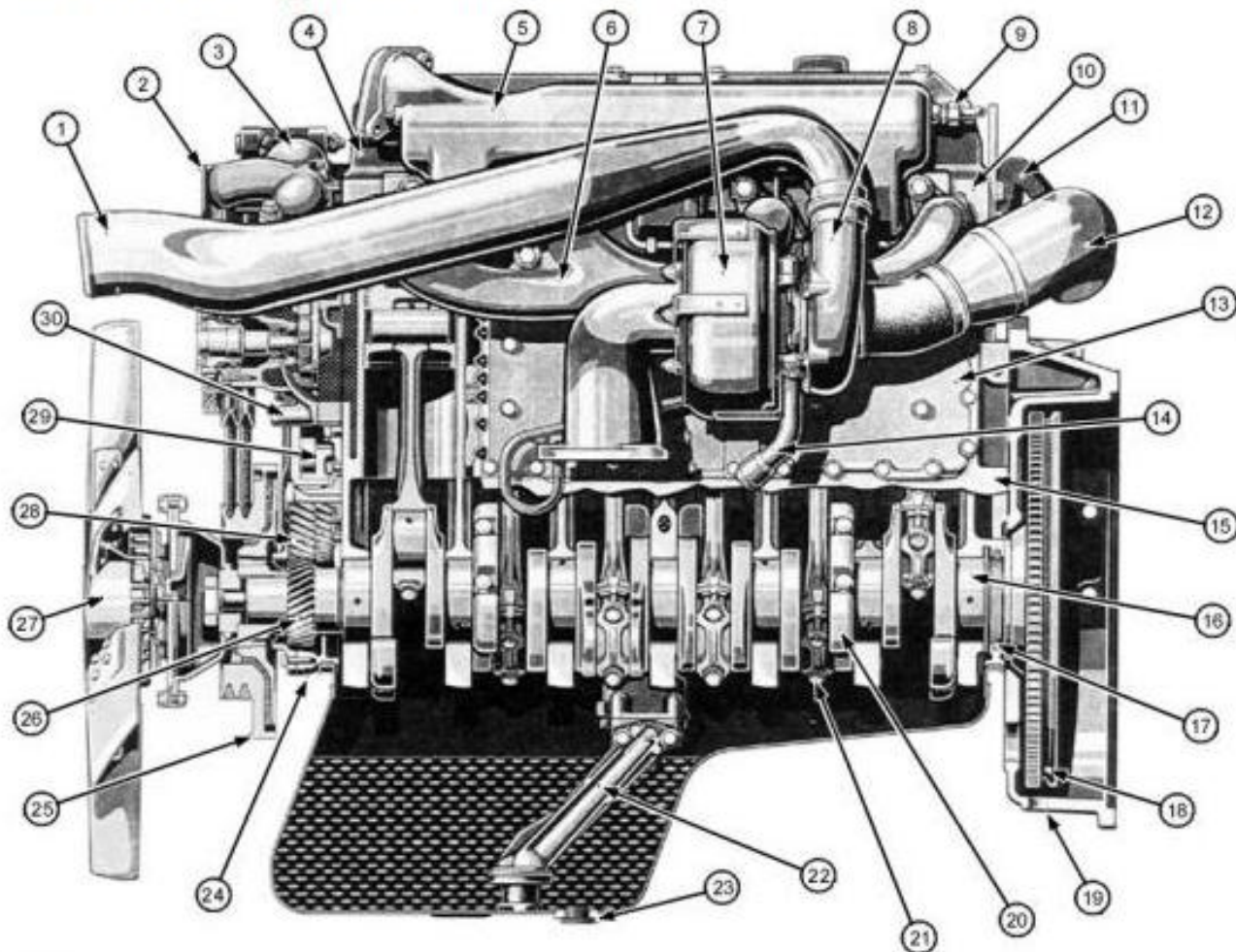
**Contents:**

- General Information
- Specifications
- Serial Number Location
- Engine Specifications
- Engine Diagnostics
- Engine Tests and Adjustments
- Engine Repair
- Power Train
- Transmission
- Axles
- Differential
- PTO
- Hydraulic System
- Electrical System
- Electrical Tests and Diagnostics
- Wiring Diagram / Schematic
- Ignition and Charging
- Steering
- Brakes
- Wheels
- Operator's Platform
- Body Panels
- Disassembly and Assembly
- Diagnostics, Tests and Adjustments
- Troubleshooting
- and much more...

Please note this manual is in **downloadable PDF format only**. If you have any questions about this product or would like to request sample pages, please contact us and reference the product name or SKU.

## Group 05 - Theory of Operation

### OM 366 LA Engine Sectional View



T122435

#### B25C Engine

##### LEGEND:

1	Compressed-Air Manifold
2	Drive Pulley (power steering pump)
3	Double Thermostat
4	Cylinder Head Cover
5	Charge Air Manifold
6	Exhaust Manifold
7	Turbine
8	Compressor
9	Pressure Connection for Charge-Air-Dependent Full Load Stop
10	Cylinder Head
11	Vent Line
12	Transverse Intake Line
13	Oil Cooler with Cover
14	Oil Return Line (From Turbocharger)
15	Crankcase
16	Crankshaft
17	Flywheel Sealing Ring
18	Flywheel (With Starter Ring Gear)
19	Flywheel Housing
20	Counterweight
21	Connecting Rod
22	Oil Pickup Pipe
23	Oil Drain Plug
24	Timing Gear Case
25	Vibration Damper
26	Crankshaft Gear



Thank you very much  
for your reading.  
Please click here  
to get more information.