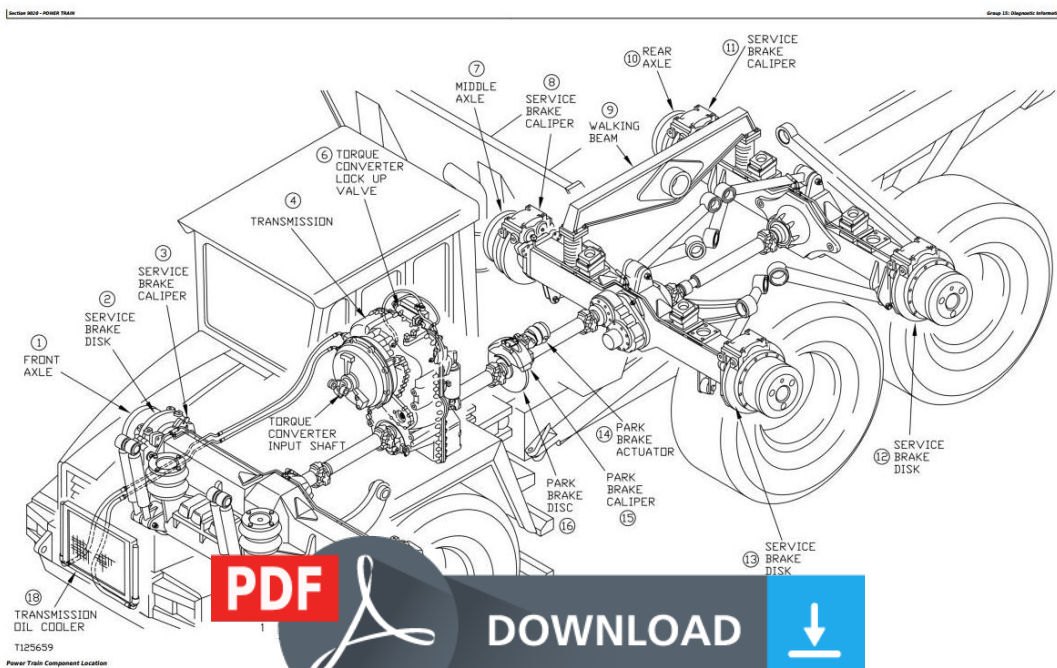


John Deere Bell B30C Articulated Dump Truck Diagnostic, Operation and Test Service Manual (tm1813)



Type: Service Manual

Language: English

Pages: 704

Format: PDF

Features: Bookmarked, searchable, printable

Compatibility: Windows/Mac/Tablet/Mobile

This service manual contains important information for the maintenance, troubleshooting and servicing of the **John Deere Bell B30C Articulated Dump Truck Diagnostic, Operation and Test Service Manual (tm1813)**

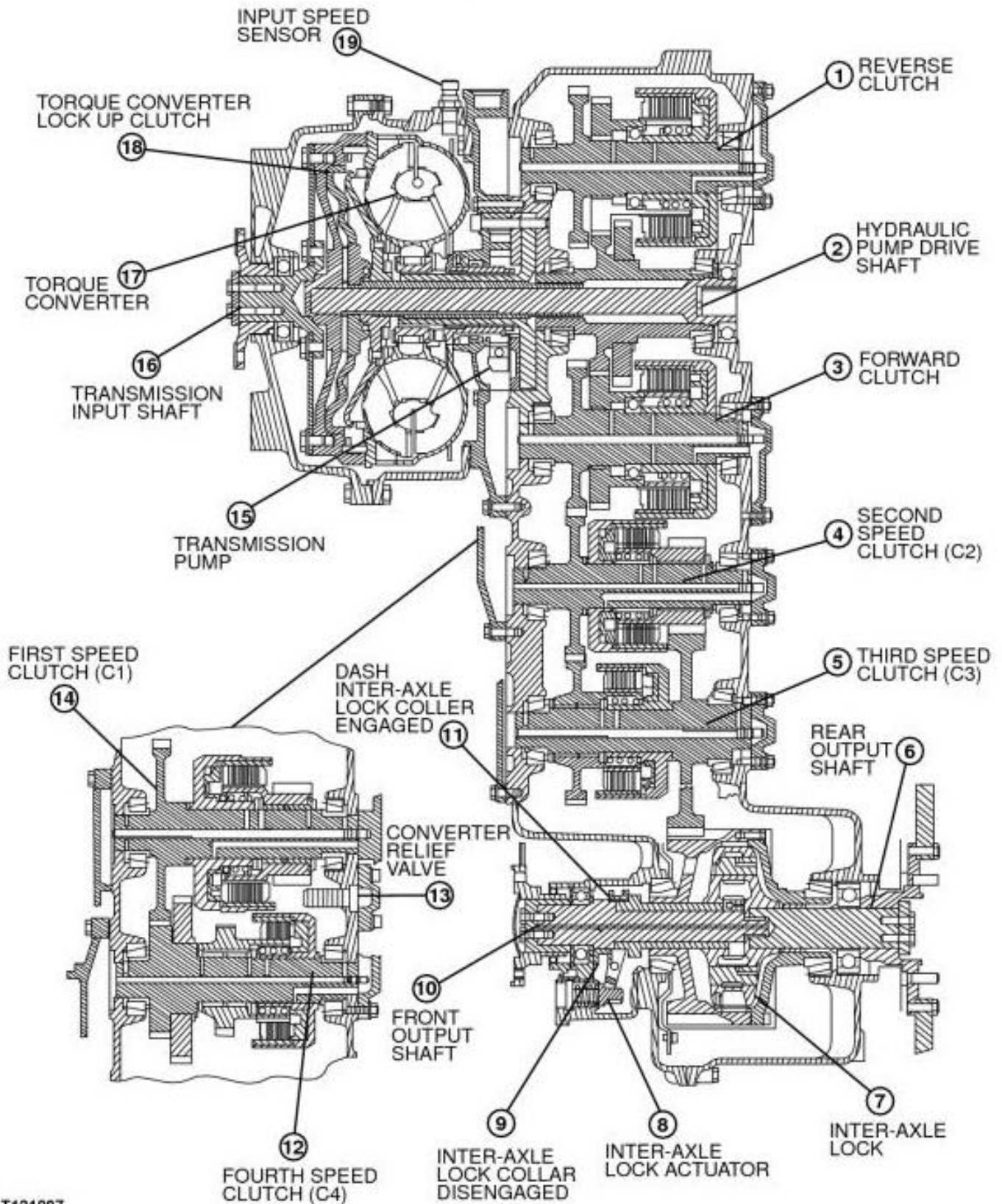
In this manual you will find detailed specifications, illustrations, schematics, diagrams and step-by-step procedures to properly service and diagnose the machine to the manufacturer's standards.

Contents:

- General Information
- Specifications
- Serial Number Location
- Engine Specifications
- Engine Diagnostics
- Engine Tests and Adjustments
- Engine Repair
- Power Train
- Transmission
- Axles
- Differential
- PTO
- Hydraulic System
- Electrical System
- Electrical Tests and Diagnostics
- Wiring Diagram / Schematic
- Ignition and Charging
- Steering
- Brakes
- Wheels
- Operator's Platform
- Body Panels
- Disassembly and Assembly
- Diagnostics, Tests and Adjustments
- Troubleshooting
- and much more...

Please note this manual is in **downloadable PDF format only**. If you have any questions about this product or would like to request sample pages, please contact us and reference the product name or SKU.

Transmission Cross Sectional Diagram



T131807

Transmission-Cross Section

LEGEND:

- 1 Reverse Clutch
- 2 Hydraulic Pump Drive Shaft
- 3 Forward Clutch
- 4 Second Speed Clutch C2



Thank you very much
for your reading.
Please click here
to get more information.