

John Deere Combines W540, W550, W650, W660, T550, T560, T660, T670 w.Wide Cab Diagnostic (TM404119)

**Combines W540,
W550, W650,
W660, T550, T560,
T660, T670 MY2012
Diagnostic
(Worldwide
Edition)**

OPERATION AND TEST MANUAL

**Combines
Wide Cab models W540, W550, W650, W660, T550, T560, T660, T670**

(SN: MY2012-MY2013)

TM404119 29MAY13 (ENGLISH)



John Deere Agriculture

Covers: W540,W550,W650,W660,T550,T560,T660,T670

Type: Service Manual

Language: English

Pages: 4036

Format: PDF

Features: Bookmarked, searchable, printable

Compatibility: Windows/Mac/Tablet/Mobile

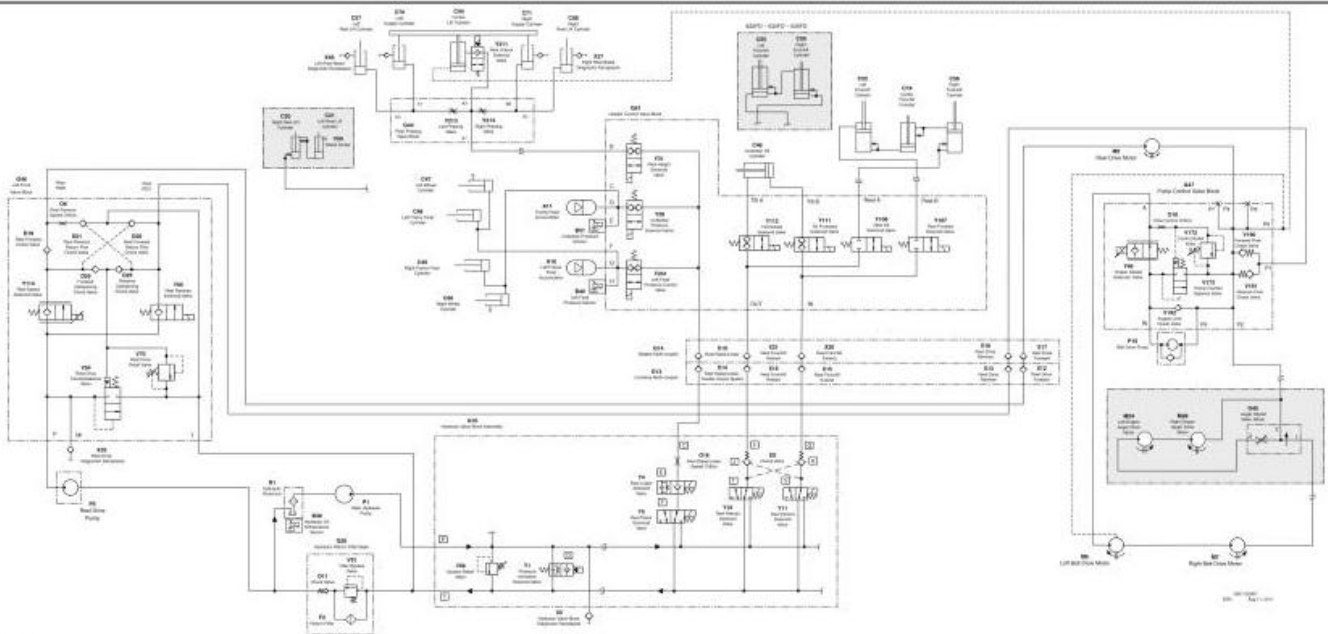
This service manual contains important information for the maintenance, troubleshooting and servicing of the **John Deere Combines W540, W550, W650, W660, T550, T560, T660, T670 w.Wide Cab Diagnostic (TM404119)**

In this manual you will find detailed specifications, illustrations, schematics, diagrams and step-by-step procedures to properly service and diagnose the machine to the manufacturer's standards.

Contents:

- General Information
- Specifications
- Serial Number Location
- Engine Specifications
- Engine Diagnostics
- Engine Tests and Adjustments
- Engine Repair
- Power Train
- Transmission
- Axles
- Differential
- PTO
- Hydraulic System
- Electrical System
- Electrical Tests and Diagnostics
- Wiring Diagram / Schematic
- Ignition and Charging
- Steering
- Brakes
- Wheels
- Operator's Platform
- Body Panels
- Disassembly and Assembly
- Diagnostics, Tests and Adjustments
- Troubleshooting
- and much more...

Please note this manual is in **downloadable PDF format only**. If you have any questions about this product or would like to request sample pages, please contact us and reference the product name or SKU.





Thank you very much
for your reading.
Please click here
to get more information.