

John Deere E60, E68 (SN. from D016000) excavator Operation & Test Technical Manual (TM14381X19)

**E60 and E68 excavator
Operation and Test**
(PIN: WNCE060A_
D016000—, PIN: WNCE068A
_D016000—)



JOHN HARE



COLLECTION

OPERATION & TEST TECHNICAL MANUAL
**E60 and E68 excavator (PIN: WNCE060A_
D016000—, PIN: WNCE068A
_D016000—)**

TM14381X19 01DEC18 (ENGLISH)

For complete service information also see:

E60 and E68 excavator om1425610x19
E60 and E68 excavator Repair TM14382X19



John Deere Tianjin
Construction Works

Covers: E60,WNCE060A_,_D016000(???,E68,WNCE068A_,_D016000(???)

Type: Service Manual

Language: English

Pages: 132

Format: PDF

Features: Bookmarked, searchable, printable

Compatibility: Windows/Mac/Tablet/Mobile

This service manual contains important information for the maintenance, troubleshooting and servicing of the **John Deere E60, E68 (SN. from D016000) excavator Operation & Test Technical Manual (TM14381X19)**

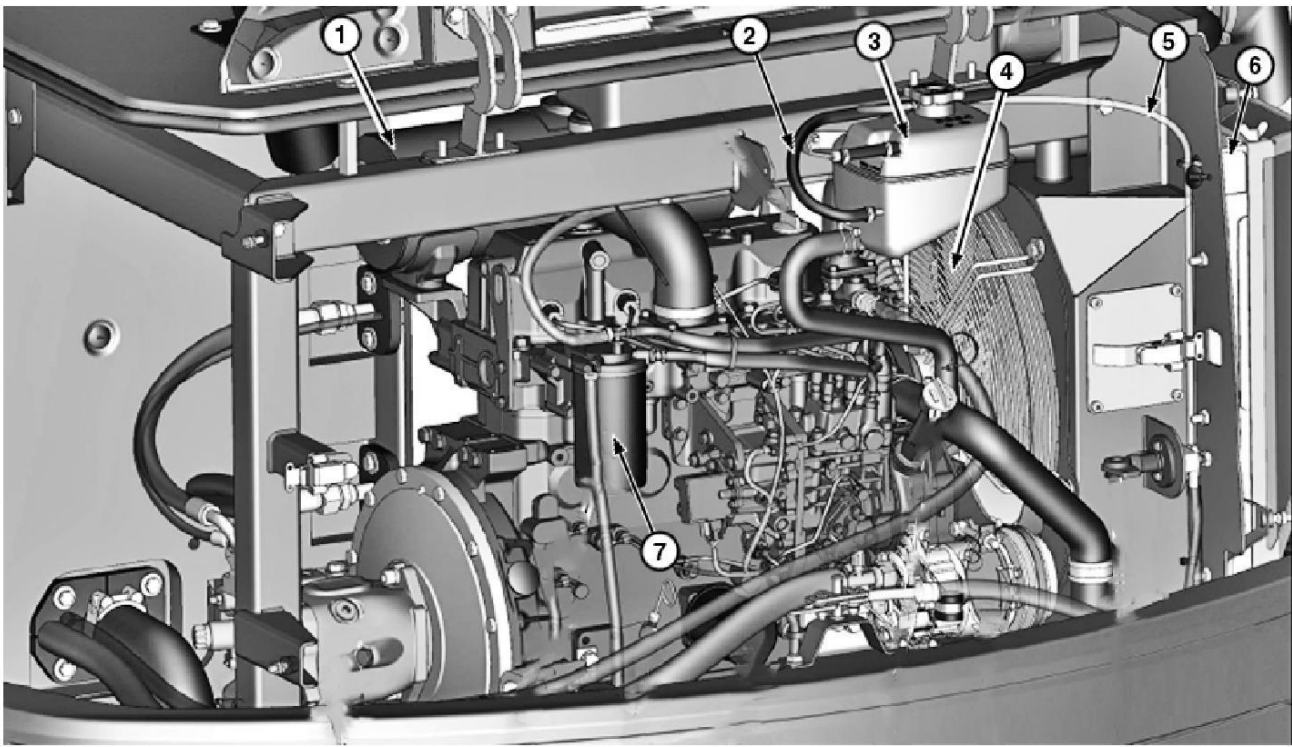
In this manual you will find detailed specifications, illustrations, schematics, diagrams and step-by-step procedures to properly service and diagnose the machine to the manufacturer's standards.

Contents:

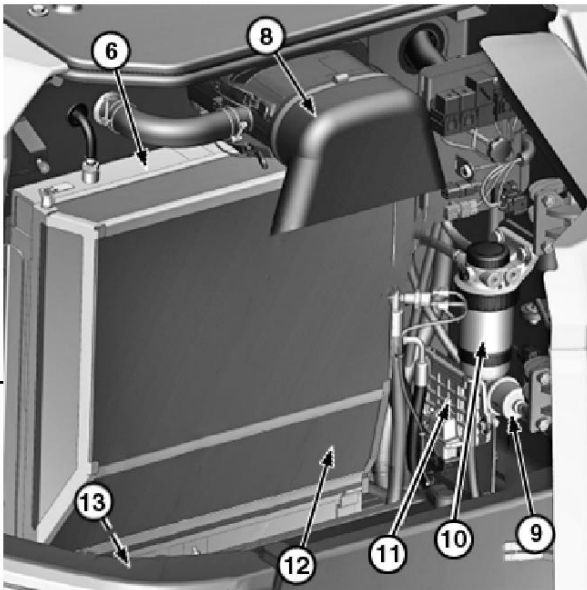
- General Information
- Specifications
- Serial Number Location
- Engine Specifications
- Engine Diagnostics
- Engine Tests and Adjustments
- Engine Repair
- Power Train
- Transmission
- Axles
- Differential
- PTO
- Hydraulic System
- Electrical System
- Electrical Tests and Diagnostics
- Wiring Diagram / Schematic
- Ignition and Charging
- Steering
- Brakes
- Wheels
- Operator's Platform
- Body Panels
- Disassembly and Assembly
- Diagnostics, Tests and Adjustments
- Troubleshooting
- and much more...

Please note this manual is in **downloadable PDF format only**. If you have any questions about this product or would like to request sample pages, please contact us and reference the product name or SKU.

Engine Component Location



YN1273646-UN: Engine System Component Location



YN1273647-UN: Engine System Component Location (open right side cover)

LEGEND:

- 1-Muffler
- 2-Radiator-to-Surge Tank Hose
- 3-Surge Tank
- 4-Fan
- 5-Surge Tank Vent Hose
- 6-Radiator (coolant and hydraulic oil combined cooler)
- 7-Fuel Micro Filter
- 8-Air Filter
- 9-Electronic Fuel Pump
- 10-Fuel Prefilter and Water Separator
- 11-Engine Control Unit (ECU)
- 12-Cooler Cover
- 13-Coolant Drain Valve

XL90995,00003CA-19-20180301



Thank you very much
for your reading.
Please click here
to get more information.