

John Deere W330 Combine (SN.700949-) Repair Technical Service Manual (TM151919)

W330 Combine Repair
(SN. 700949 -)



JOHN HARE



COLLECTION

REPAIR TECHNICAL MANUAL
W330 Combine (SN. 700949 -)

TM151919 01DEC18 (ENGLISH)



John Deere GmbH & Co. KG

Covers: W330,700949)

Type: Service Manual

Language: English

Pages: 304

Format: PDF

Features: Bookmarked, searchable, printable

Compatibility: Windows/Mac/Tablet/Mobile

This service manual contains important information for the maintenance, troubleshooting and servicing of the **John Deere W330 Combine (SN.700949-) Repair Technical Service Manual (TM151919)**

In this manual you will find detailed specifications, illustrations, schematics, diagrams and step-by-step procedures to properly service and diagnose the machine to the manufacturer's standards.

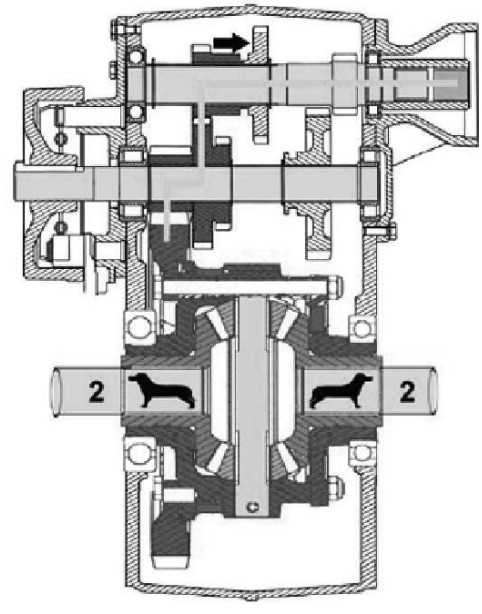
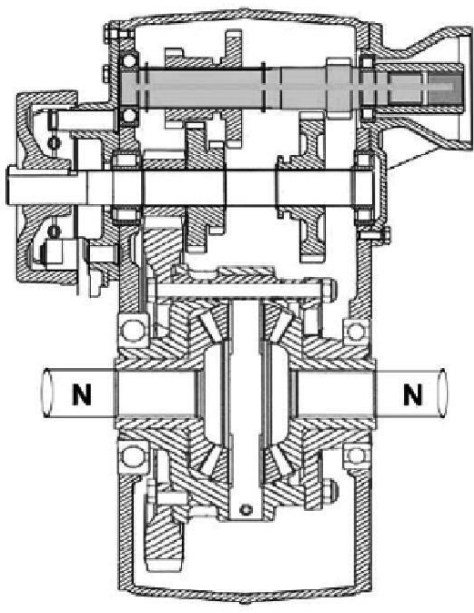
Contents:

- General Information
- Specifications
- Serial Number Location
- Engine Specifications
- Engine Diagnostics
- Engine Tests and Adjustments
- Engine Repair
- Power Train
- Transmission
- Axles
- Differential
- PTO
- Hydraulic System
- Electrical System
- Electrical Tests and Diagnostics
- Wiring Diagram / Schematic
- Ignition and Charging
- Steering
- Brakes
- Wheels
- Operator's Platform
- Body Panels
- Disassembly and Assembly
- Diagnostics, Tests and Adjustments
- Troubleshooting
- and much more...

Please note this manual is in **downloadable PDF format only**. If you have any questions about this product or would like to request sample pages, please contact us and reference the product name or SKU.

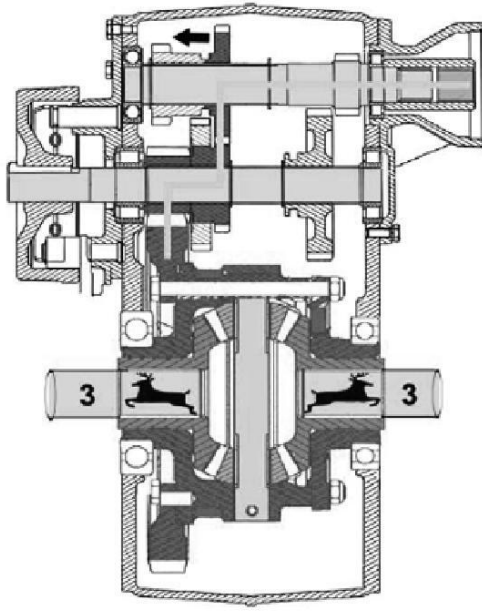
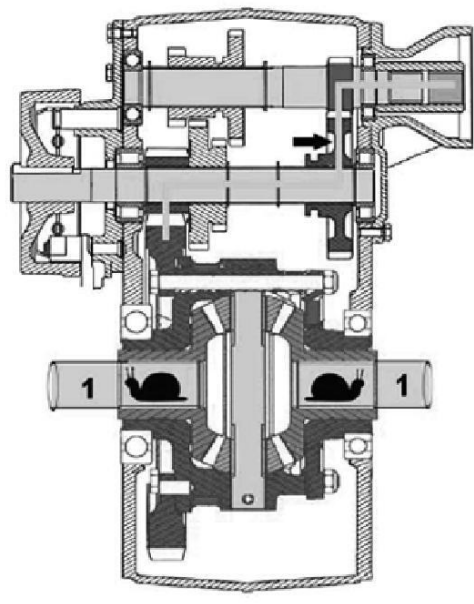
Gear Case Diagram

XG284771-UN: .



XG284772-UN: .

XG284770-UN: .



XG284773-UN: .

MD30730,0000006-19-2017.1109

Handbrake



Thank you very much
for your reading.
Please click here
to get more information.