

# John Deere W440 Combine (SN.700949-) Repair Technical Manual (TM152119)

**W440 Combine Repair**  
(SN. 700949 —)



JOHN HARE



COLLECTION

**REPAIR TECHNICAL MANUAL**  
**W440 Combine (SN. 700949 —)**

TM152119 01DEC18 (ENGLISH)



Deere & Company (XG)

**Covers:** W440,700949)

**Type:** Service Manual

**Language:** English

**Pages:** 187

**Format:** PDF

**Features:** Bookmarked, searchable, printable

**Compatibility:** Windows/Mac/Tablet/Mobile

This service manual contains important information for the maintenance, troubleshooting and servicing of the **John Deere W440 Combine (SN.700949-) Repair Technical Manual (TM152119)**

In this manual you will find detailed specifications, illustrations, schematics, diagrams and step-by-step procedures to properly service and diagnose the machine to the manufacturer's standards.

**Contents:**

- General Information
- Specifications
- Serial Number Location
- Engine Specifications
- Engine Diagnostics
- Engine Tests and Adjustments
- Engine Repair
- Power Train
- Transmission
- Axles
- Differential
- PTO
- Hydraulic System
- Electrical System
- Electrical Tests and Diagnostics
- Wiring Diagram / Schematic
- Ignition and Charging
- Steering
- Brakes
- Wheels
- Operator's Platform
- Body Panels
- Disassembly and Assembly
- Diagnostics, Tests and Adjustments
- Troubleshooting
- and much more...

Please note this manual is in **downloadable PDF format only**. If you have any questions about this product or would like to request sample pages, please contact us and reference the product name or SKU.

## Steering Cylinder

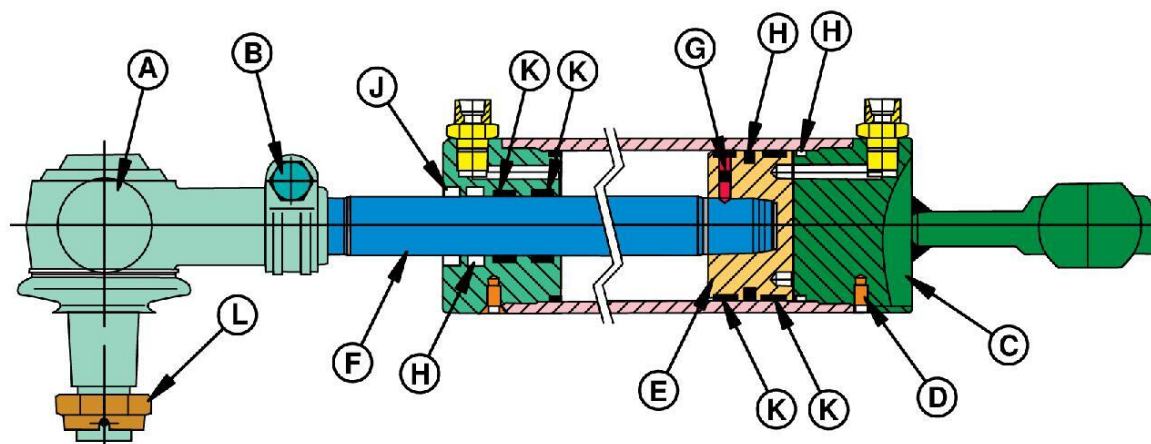


FIGURE H22

XG284797-UN.

Refer to figure H22.

**Replacement of packing:**

1. Remove the cylinder from the combine and plug the hydraulic hoses. Use an extractor to remove ball joint (A) from the steering lever.
2. Mark the position of the ball joint, unscrew screw (B) and turn the joint off the piston rod.
3. Unlock locking screw (D) at rear end (C) and turn the end off the cylinder liner.
4. Pull piston (E) with its rod out of the cylinder. If the piston must be removed from its rod (F), unlock locking screw (G) and turn the piston off.
5. Remove old packing, clean and check all the parts.
6. Apply Loctite® 638 on the threading of piston rod (F) before tightening piston (E) and locking it with screw (G).
7. Fit new packing rings (H), scraper ring (J) and support rings (K).
8. Apply oil on the packing and push the piston with its rod carefully back into the cylinder.
9. Turn rear end (C) back far enough to be able to lock locking screw (D).
10. Fit ball joint (A) in the marked position and lock with screw (B).
11. Fit the cylinder back to the combine, connect the hoses and tighten crown nut (L) of the ball joint to 200 N·m and lock with a cotter.

Loctite is a trademark of Henkel Corporation

OULXBER,0002B96-19-20160627



Thank you very much  
for your reading.  
Please click here  
to get more information.