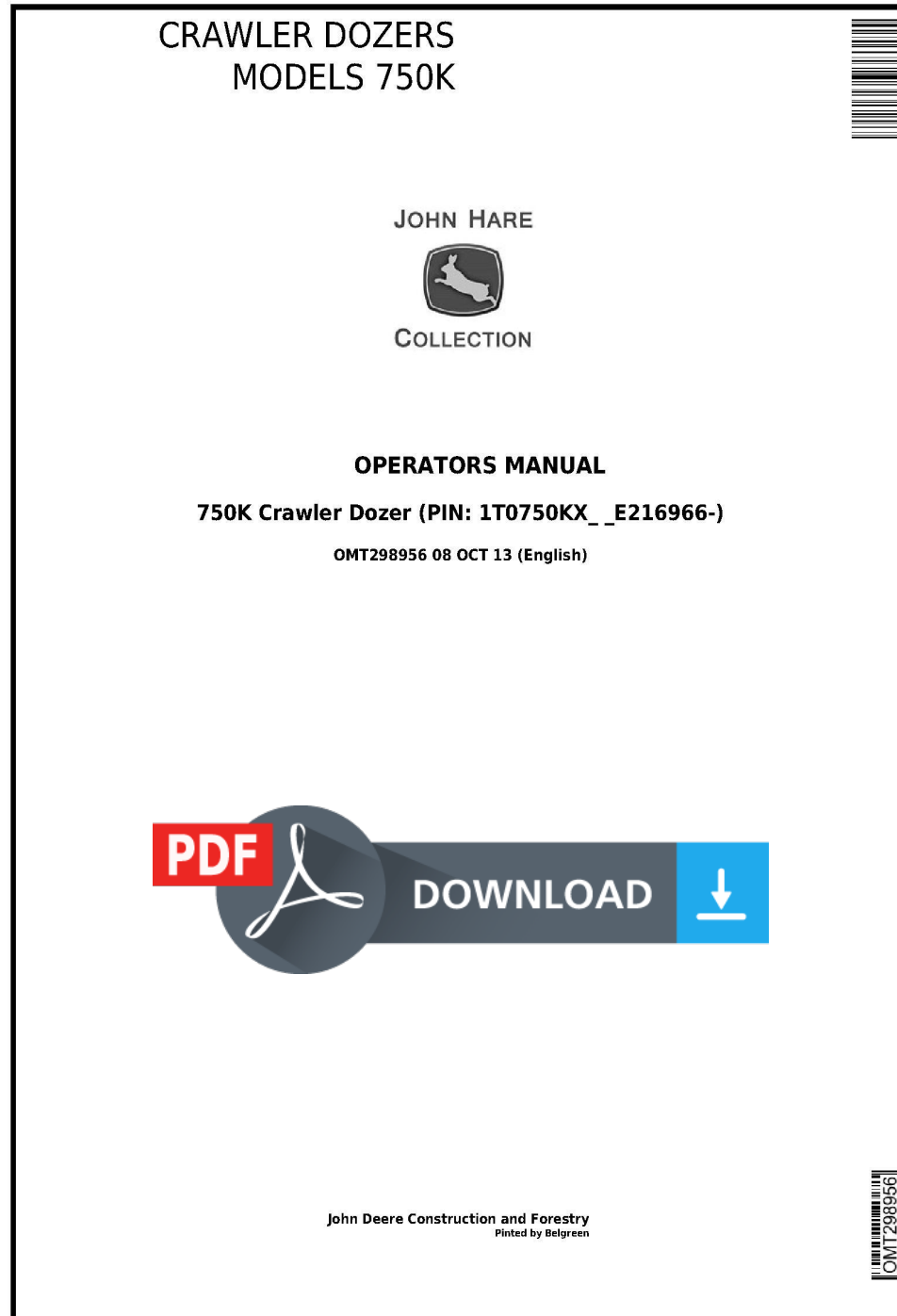


John Deere 750K Crawler Dozer (PIN: 1T0750KX_ _E216966-) Operators Manual (OMT298956)



Covers: 750K,1T0750KX_,_E216966-)

Type: Service Manual

Language: English

Pages: 284

Format: PDF

Features: Bookmarked, searchable, printable

Compatibility: Windows/Mac/Tablet/Mobile

This service manual contains important information for the maintenance, troubleshooting and servicing of the **John Deere 750K Crawler Dozer (PIN: 1T0750KX__E216966-) Operators Manual (OMT298956)**

In this manual you will find detailed specifications, illustrations, schematics, diagrams and step-by-step procedures to properly service and diagnose the machine to the manufacturer's standards.

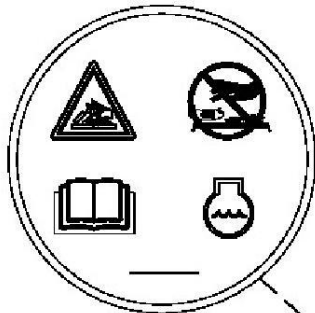
Contents:

- General Information
- Specifications
- Serial Number Location
- Engine Specifications
- Engine Diagnostics
- Engine Tests and Adjustments
- Engine Repair
- Power Train
- Transmission
- Axles
- Differential
- PTO
- Hydraulic System
- Electrical System
- Electrical Tests and Diagnostics
- Wiring Diagram / Schematic
- Ignition and Charging
- Steering
- Brakes
- Wheels
- Operator's Platform
- Body Panels
- Disassembly and Assembly
- Diagnostics, Tests and Adjustments
- Troubleshooting
- and much more...

Please note this manual is in **downloadable PDF format only**. If you have any questions about this product or would like to request sample pages, please contact us and reference the product name or SKU.

Group 1.5 - Safety—Safety Signs

Safety Signs



⚠ WARNING

Avoid injury from escaping fluid. Contents of this accumulator are under pressure.

1. Refer to proper machine model Technical Manual for removal and installation procedures.
2. This accumulator is charged with DRY NITROGEN by the manufacturer and is NOT rechargeable.

Medium Working Pressure
4500 kPa (650 PSI)

⚠ WARNING

Avoid crushing
DO NOT JUMP
if machine tips

TX1089983

USE SEAT BELT

⚠ CAUTION

Avoid injury from sudden linkage movement.
Support bellcrank before removing any pins.
See Operator's Manual for details.

TX11368

⚠ CAUTION

Avoid Death or Serious Injury

- Read and understand Operator's manual before operating this machine.
- Operate machine only from operator's seat.
- Before leaving operator's seat:
 - Lower equipment to ground.
 - Place transmission in Neutral.
 - Apply the park brake.
 - Stop engine, unless a service procedure requires engine to be running.
 - Do not leave unattended machine unattended.
 - Keep clear of machine.

ENGINE START AND STOP PROCEDURE

START AND WARM-UP

1. Press green START button on keypad once.
If security mode is enabled, enter security code and press **↵**. Then press and hold the green START button until the engine starts.
If security mode is not enabled, press and hold the green START button until the engine starts.
2. The start-up delay is 30 seconds. If not started after 30 seconds, allow 1 minute between attempts.
3. Warm up at half speed and DO NOT operate regularly during warm-up.

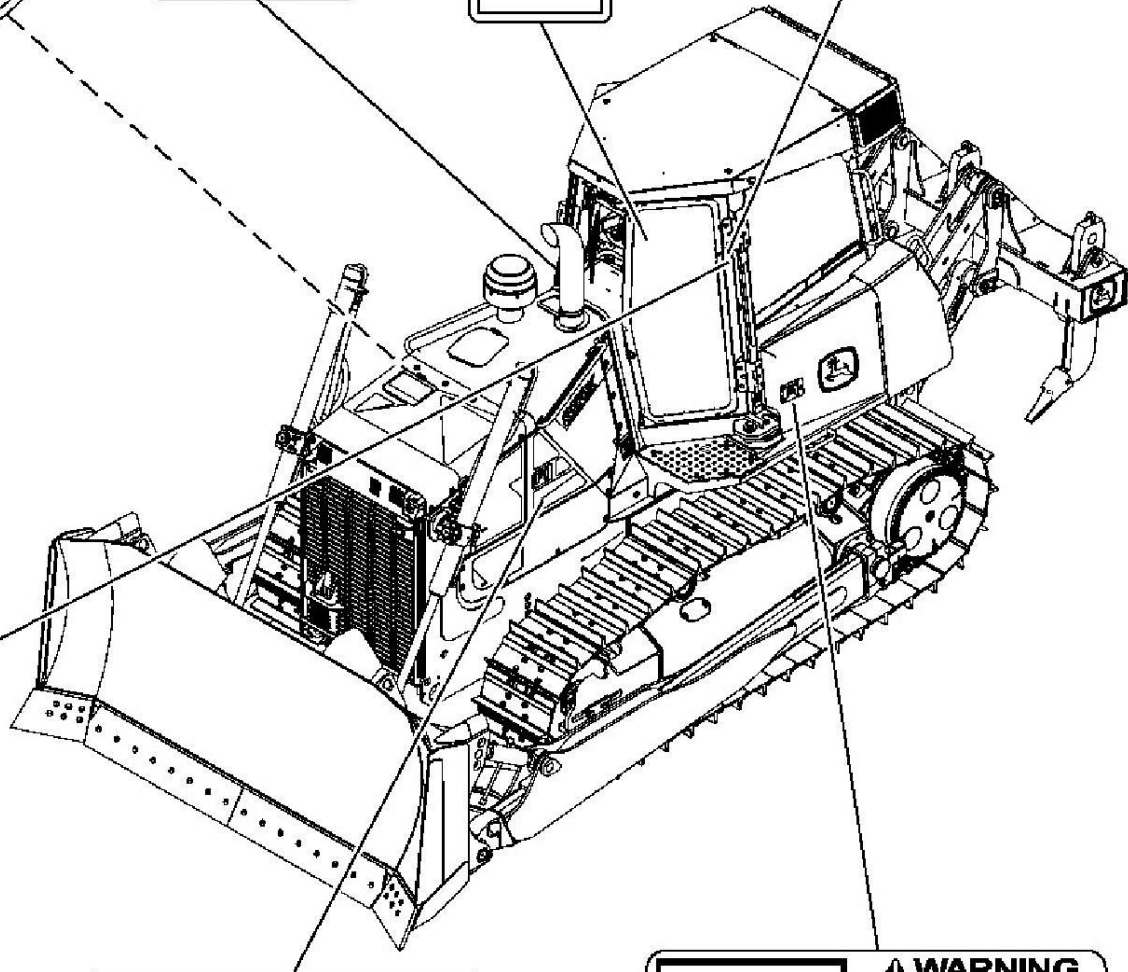
STOPPING

1. Operate at half speed and LOAD for 2 minutes before stopping.
2. Set applied to low idle and stop engine. Push red STOP button on keypad.

ENGINE STALL

1. Remove load, restart immediately.
2. Run 30 seconds at half speed before adding load.

TX10433



Start only from seat in park or neutral.
Starting in gear kills.

Start only from seat in park or neutral.
Starting in gear kills.

⚠ WARNING

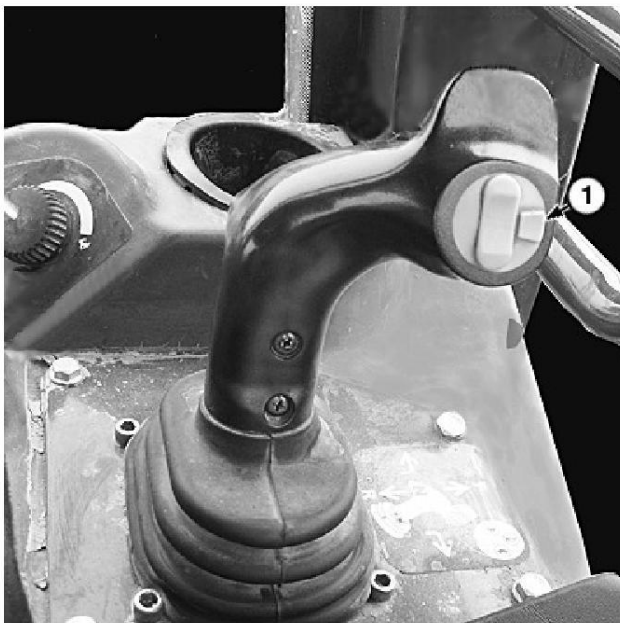
Always install cab lock before working on or around this machine with the cab raised.

- Remove pin from lock.
- Raise cab until cylinder lock channel can be positioned.
- Install pin to hold cylinder lock in place.
- Lower cab until it rests on lock.

TX10433

TX1089983

Safety Signs

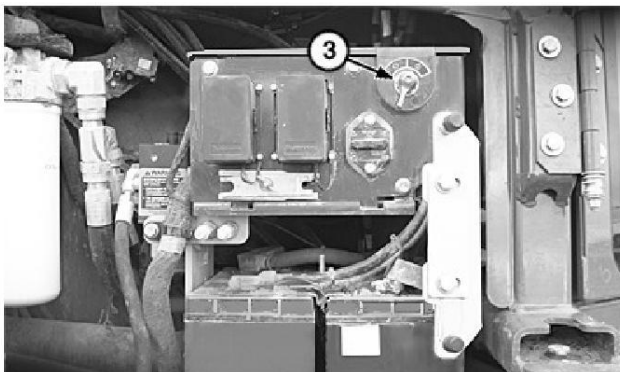
**LEGEND:**

1 Horn Button

Horn Button**→NOTE:**

Sound the horn momentarily to warn bystanders before starting the engine or commencing operation.

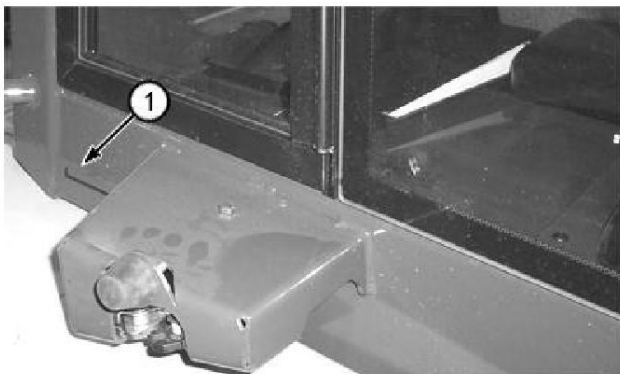
The horn button (1) is located on the front of the left transmission control lever (TCL).

Battery Disconnect Switch**LEGEND:**

3 Battery Disconnect Switch

Battery Disconnect Switch

Battery disconnect switch (3) is located next to machine batteries in the rear right side machine compartment. Push switch to OFF position to disconnect electrical power to machine.

Door Latch**LEGEND:**

1 Door Latch Lever

From Outside the Cab



Thank you very much
for your reading.
Please click here
to get more information.