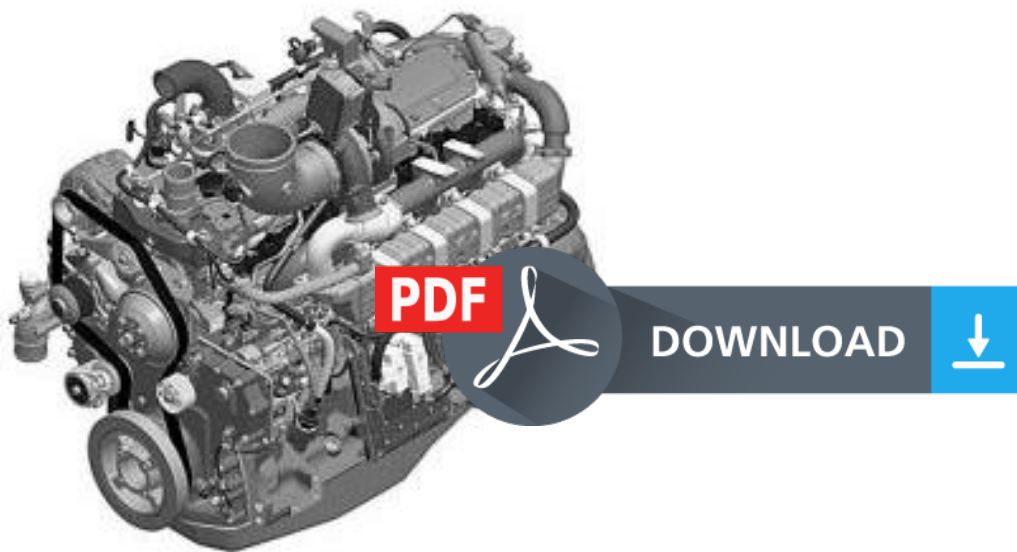


Identification Views

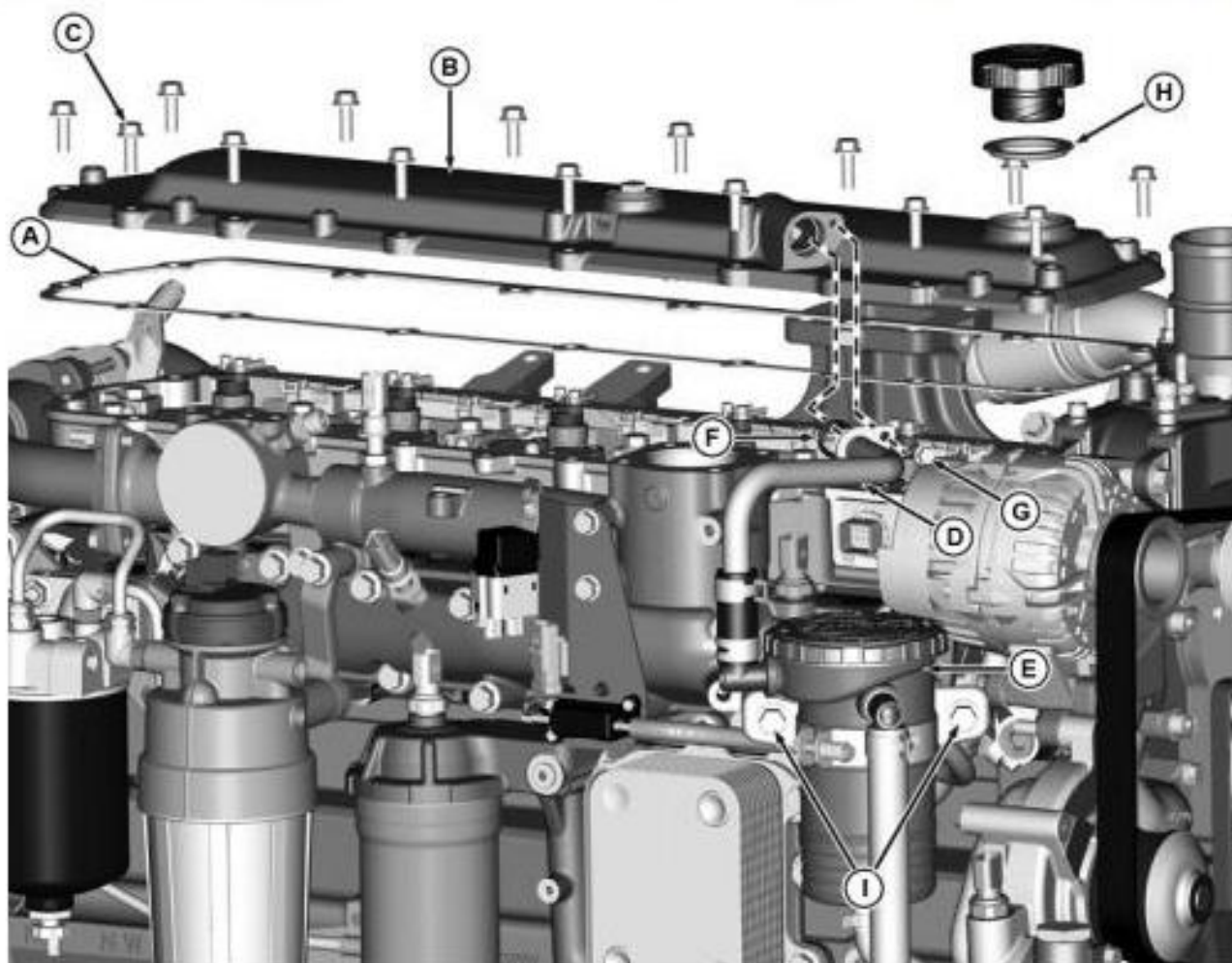
6068 <130kW PowerTech™ Engine—Interim Tier 4/Stage III B



3/4 right front view—6068HFC93 Engine



3/4 left front view—6068HFC93 Engine



Install Rocker Arm Cover



Rocker Arm Cap Screws Tightening Sequence

LEGEND:

A	Rocker Arm Cover Gasket
B	Rocker Arm Cover
C	Cap Screw (15)
D	Rocker Arm Cover-to-OCV Filter Housing Tube
E	OCV Filter Housing
F	O-Ring
G	Cap Screw
H	Oil Fill Cap Seal
I	Cap Screw (2)

Check rocker arm cover gasket (A) for its condition. If damaged, install a new gasket.

[3] - Install rocker arm cover (B) and gasket (A). Tighten rocker arm cover cap screws (C) to specifications, in the sequence as shown.

Fan Drive Assembly – Removal

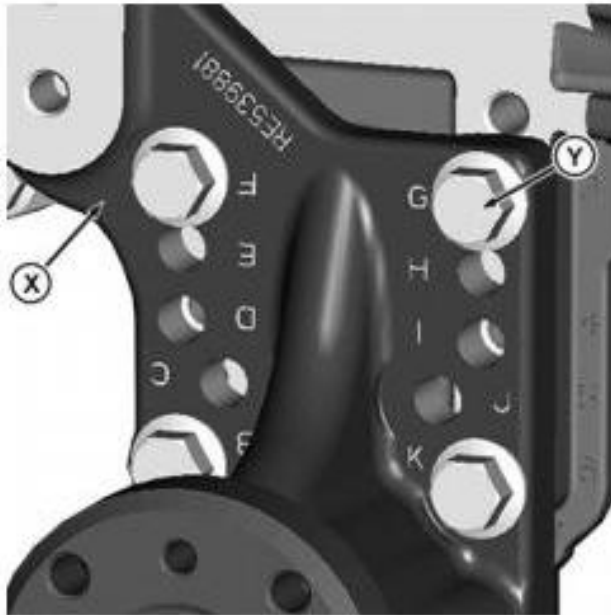
[1] - Perform [Fan \(Fixed Speed Fan\) – Removal](#) or [Fan \(Variable Speed Fan\) – Removal](#)

[2] - Remove fan belt, if not removed.

[3] - Remove the four cap screws and the fan drive assembly.

→NOTE:

Depending on option or application, the configuration might look different.



Option 2349 (258 mm fan height)

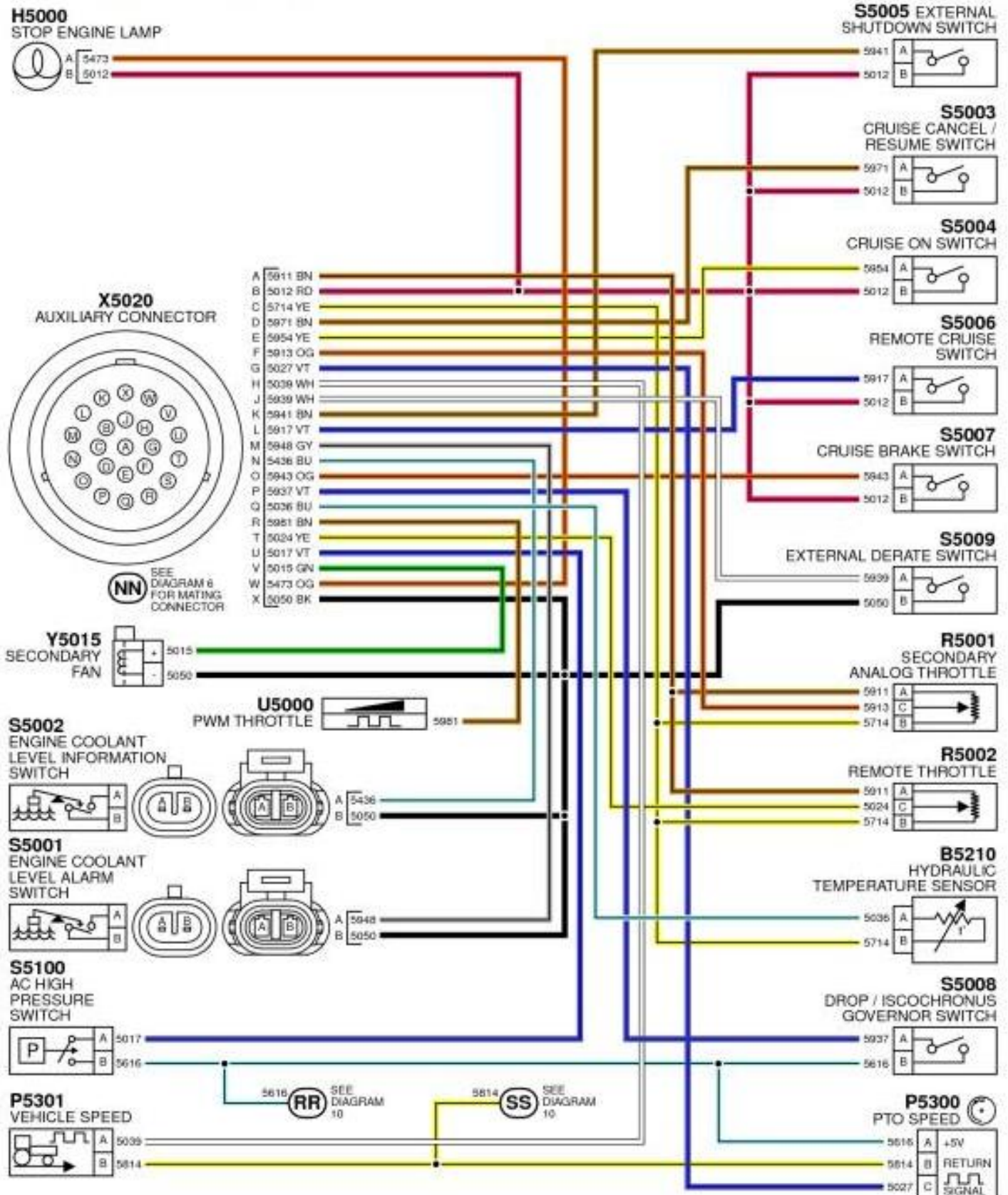
LEGEND:

- X Idler Pulley Arm
- Y 4 Cap Screws (M10 x 30)



Option 2356 (290 mm Fan Height)

6.8L Wiring Diagram 9



Wiring Diagram 9

- LEGEND:**
- B5210 Hydraulic Temperature Sensor
- H5000 Stop Engine Lamp
- NN See Diagram 6 for Mating Connector

CTM104619 - John Deere PowerTech 6068 Diesel Engine S.N.6068HFC93 (Interim Tier4, Level 23 ECU) Technical Manual

Illustrated Factory Component Technical Manual for John Deere Diesel Engines 6068 (PowerTech OEM Diesel Engine) Below 130kW (174HP) (Interim Tier 4, Level 23 ECU) This manual contains high quality images, circuit diagrams, instructions to help you to operate, maintenance, diagnostic, and repair your truck. This document is printable, without restrictions, contains searchable text, bookmarks, crosslinks for easy navigation. Language: English Format: PDF, 2395 pages Covered models: 6068HDW84, 6068HFC93, 6068HL490, 6068HT074, 6068HT079, 6068HT086, 6068HT092, 6068RW403, 6068RW405



Thank you very much
for your reading.
Please click here
to get more information.