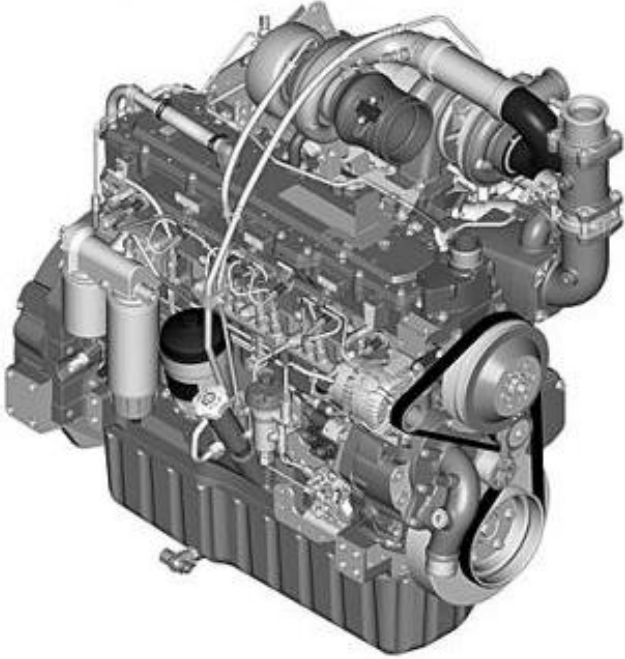
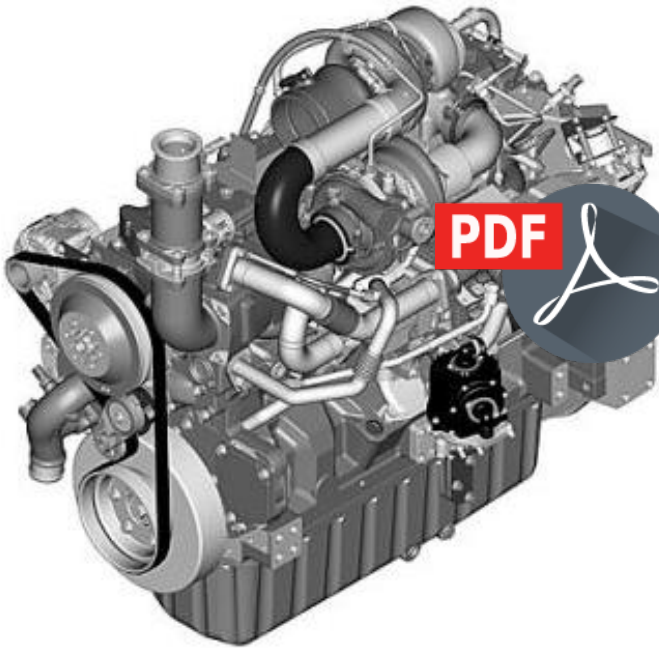


## Identification Views

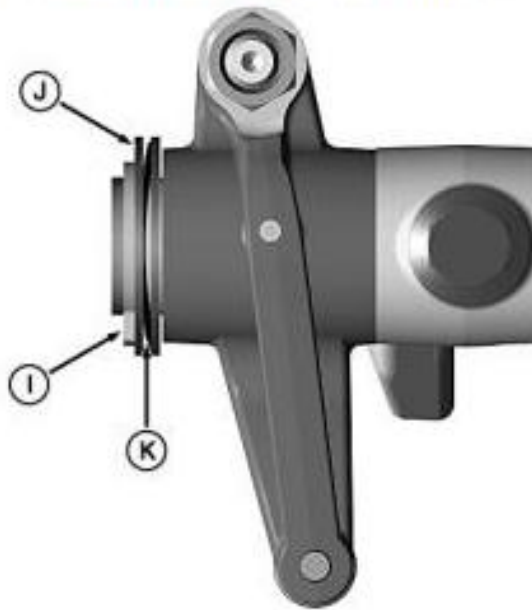


*Interim Tier 4 6090 Engine – Right Front View*

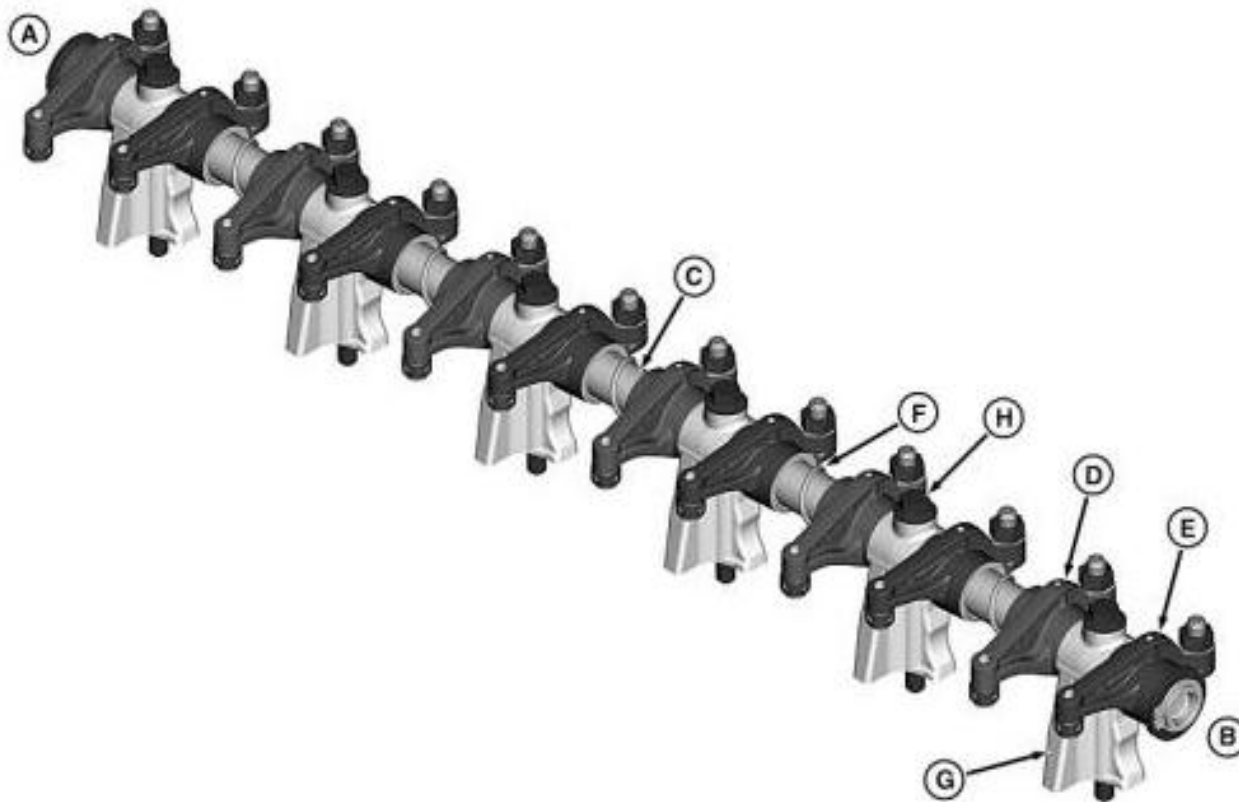


*Interim Tier 4 6090 Engine – Left Front View*

## Rocker Arm Shaft Assembly – Assemble



### Rocker Arm



### Rocker Arm Shaft Assemble

#### LEGEND:

A	Front of Engine
B	Rear of Engine
C	Rocker Arm Shaft
D	Intake Rocker Arm
E	Exhaust Rocker Arm
F	Spring
G	Pedestal
H	Pedestal Hold Down Screw
I	Snap Ring
J	Flat Washer -2-

## ECU – Installation

### IMPORTANT:

**DO NOT OPEN ENGINE CONTROL UNIT.**

### →NOTE:

The ECU is the system component **LEAST** likely to fail. Follow proper trouble shooting procedures and isolate the problem before replacing the ECU.

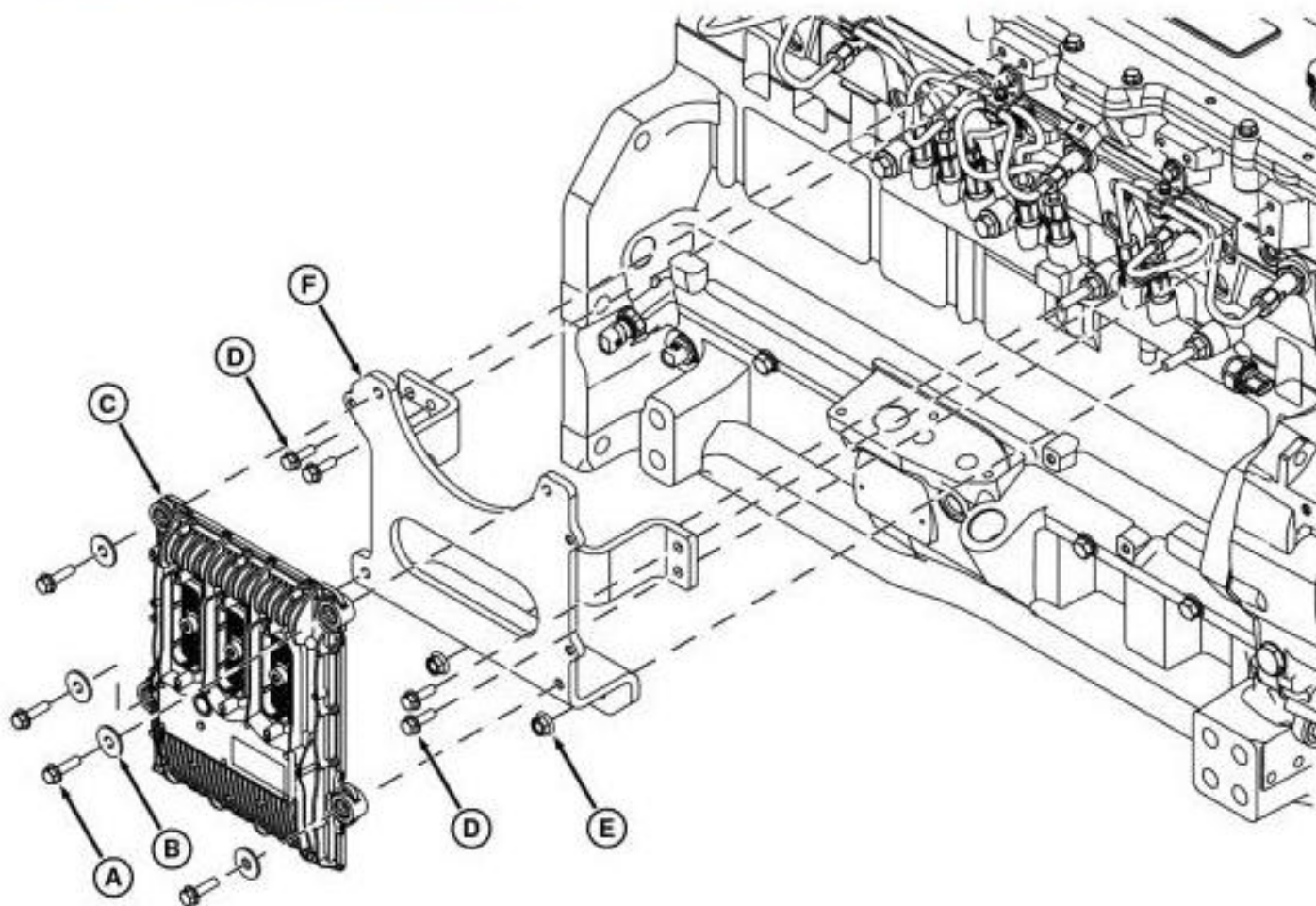
### IMPORTANT:

**If an ECU is not programmed identically with the original (failed) ECU, misleading diagnostic messages, poor performance, or engine damage can occur.**

The ECU is not repairable and must be replaced if found to be defective.

The new ECU has to be programmed for its specific application. If data from the old ECU cannot be retrieved during programming, in Service ADVISOR, perform a [Service Regeneration Instructions](#) and an Engine Hourmeter calibration following reprogramming. *ECU test - Service Regeneration* See [Engine Control Unit \(ECU\) – Reprogramming Instructions](#) in Section 04, group 160 later in this manual.

Do not force connectors when disconnecting or connecting wire harness to the ECU. Observe proper connector and polarity when reconnecting connectors. Make sure the connector is latched properly to its mating connector. For connector locations, see [Engine Control Unit \(ECU\) System Operation](#) in Section 03, Group 140 later in this manual.







# CTM104819 - John Deere PowerTech 6090 Diesel Engine (Interim Tier 4) Level 21 ECU Technical Service Manual

Illustrated Factory Component Technical Manual for 6090 PowerTech Diesel Engine (Interim Tier 4) Level 21 ECU (John Deere Diesel OEM Engines) This manual contains high quality images, circuit diagrams, instructions to help you to operate, maintenance, diagnostic, and repair your truck. This document is printable, without restrictions, contains searchable text, bookmarks, crosslinks for easy navigation. Language: English Format: PDF, 2814 pages Covered models: 6090HDW11, 6090HDW12, 6090HDW13, 6090HDW15, 6090HDW16, 6090HFC94, 6090HFC95, 6090HFG95, 6090HFL95, 6090HH015, 6090HN004, 6090HT011, 6090HTJ15, 6090HTJ17, 6090HZ011, 6090RW403, 6090RW410, 6090RW411, 6090RW412, 6090RW413, 6090RW414, 6090RW415, 6090RW416, 6090RW417, 6090RW418, 6090RW419, 6090RW420, 6090RW421, 6090RW422, 6090RW423, 6090RW447



Thank you very much  
for your reading.  
Please click here  
to get more information.