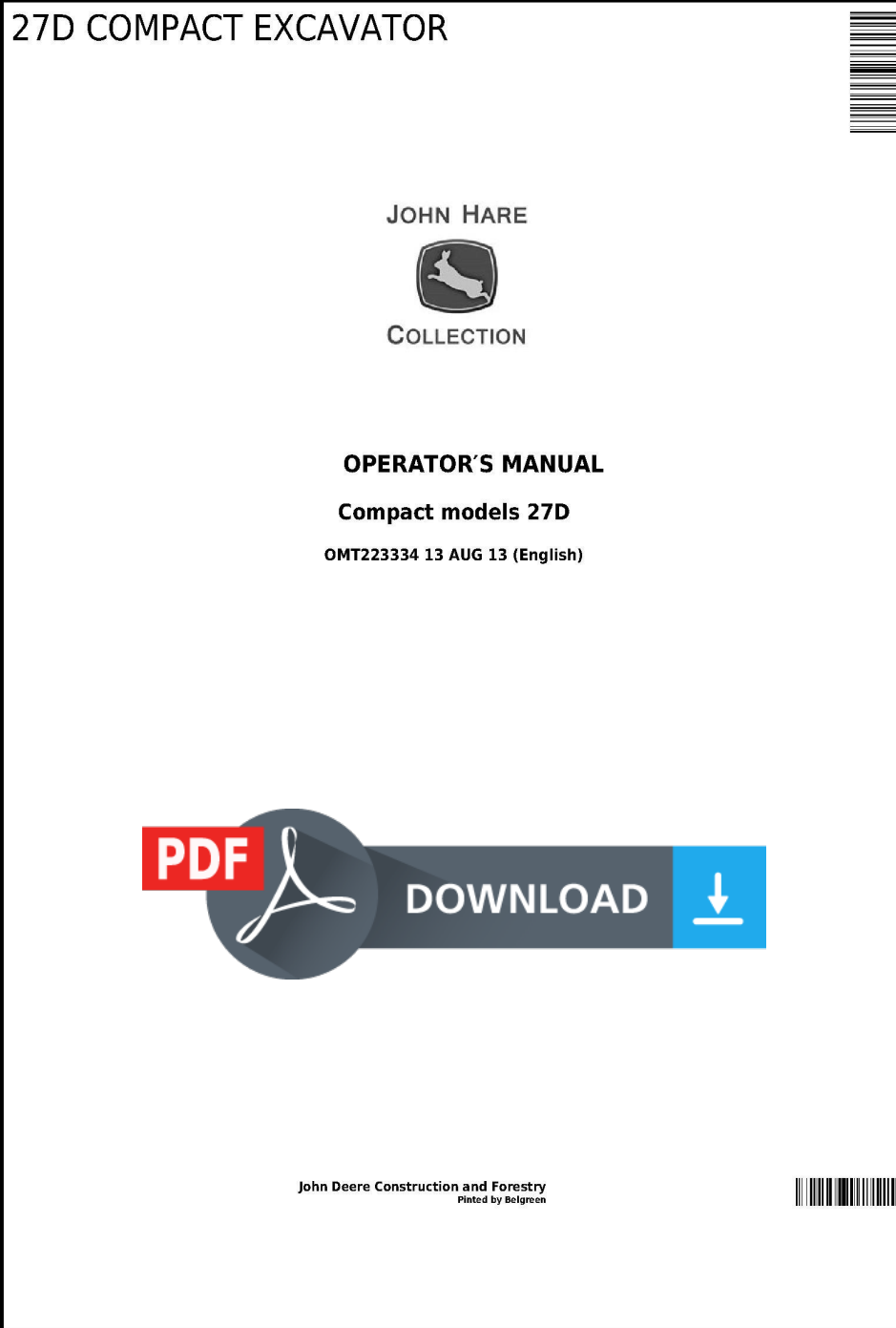


John Deere 27D Compact Excavator Operators Manual - OMT223334



Type: Service Manual

Language: English

Pages: 179

Format: PDF

Features: Bookmarked, searchable, printable

Compatibility: Windows/Mac/Tablet/Mobile

This service manual contains important information for the maintenance, troubleshooting and servicing of the **John Deere 27D Compact Excavator Operators Manual - OMT223334**

In this manual you will find detailed specifications, illustrations, schematics, diagrams and step-by-step procedures to properly service and diagnose the machine to the manufacturer's standards.


Contents:

- General Information
- Specifications
- Serial Number Location
- Engine Specifications
- Engine Diagnostics
- Engine Tests and Adjustments
- Engine Repair
- Power Train
- Transmission
- Axles
- Differential
- PTO
- Hydraulic System
- Electrical System
- Electrical Tests and Diagnostics
- Wiring Diagram / Schematic
- Ignition and Charging
- Steering
- Brakes
- Wheels
- Operator's Platform
- Body Panels
- Disassembly and Assembly
- Diagnostics, Tests and Adjustments
- Troubleshooting
- and much more...

Please note this manual is in **downloadable PDF format only**. If you have any questions about this product or would like to request sample pages, please contact us and reference the product name or SKU.

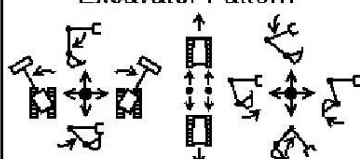
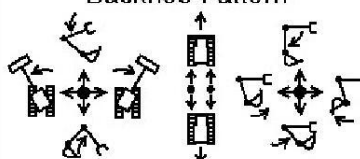
Group 1.5 - Safety Signs

Safety Signs



⚠ DANGER
 Serious injury or death can result from contact with electric lines. Never move any part of unit or load closer to electric line than 3 M [10 FT.] plus twice the line insulator length.

⚠ CAUTION FAMILIARIZE YOURSELF WITH THE PATTERN SELECTED BY OPERATING SLOWLY.

Excavator Pattern	Backhoe Pattern
	

⚠ CAUTION
 PRESSURIZED. DO NOT OPEN HOT.
 Remove slowly.



⚠ CAUTION
 To avoid burns, be careful not to contact hot surfaces.

4411089



⚠ WARNING
 Avoid injury from attachment falling off machine. Tighten wedge bar bolt to 100 lb-ft [135 Nm] and insert (2) quick lock pins into wedge bar pins before operating attachment.

QUICK LOCK PINS
 WEDGE BAR BOLT

202521



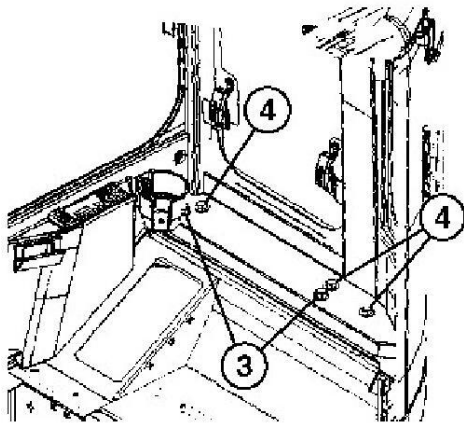
⚠ WARNING
 Operator may swing or reverse machine
STAY CLEAR



T205161

Safety Signs

Canopy Machines



T205613

Cab Machines

Loosen panel cap screws (1) and raise panel (2). Tighten screws to hold panel in place.

[5] -

IMPORTANT:

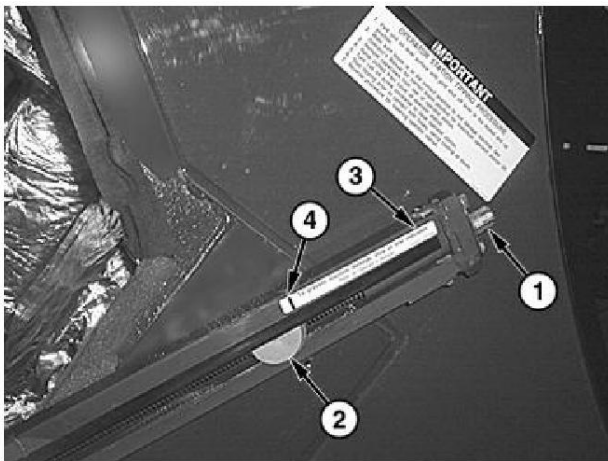
Avoid damaging operator station platform. Do not remove operator station platform cap screws (3).

Remove three operator station mounting cap screws (4) from rear of operator station.

[6] -

IMPORTANT:

Avoid potential machine damage. Avoid contact between operator station and hoses, swing casting, or boom while tilting the operator station.



LEGEND:

1	Tilt Screw
2	Disk
3	Tilt Stop Decal
4	Tilt Stop Line

Tilt Screw

Turn tilt screw (1) clockwise to raise operator station. Stop rotating tilt screw when disk (2) is at tilt stop line (4).

[7] - If access to the interior of the cab is required, open cab door and ensure both door latches are engaged.

Lowering Operator Station

[1] -

IMPORTANT:

Prevent damage to the cab door. Cab door must be closed before lowering operator station.

Turn tilt screw counterclockwise slowly until operator station is completely lowered. Do not over-tighten tilt screw.

[2] - Install operator station mounting cap screws in rear of operator station. Tighten to specification.



Thank you very much
for your reading.
Please click here
to get more information.