

# John Deere 644K (T2/S2) 4WD Loader (SN. from C000001,D000001) Operators Manual (OMT346595X19)

644K 4WD LOADER (TIER II/STAGE 2)



JOHN HARE



COLLECTION

## OPERATORS MANUAL

644K (PIN: 1BZ644K\_\_C000001-; 1BZ644K\_\_D000001-)

OMT346595X19 10 SEP 15 (English)



John Deere Construction and Forestry  
Printed by Belgreen



**Covers:** 644K,1BZ644K\_,\_C000001-;;1BZ644K\_,\_D000001-)

**Type:** Service Manual

**Language:** English

**Pages:** 339

**Format:** PDF

**Features:** Bookmarked, searchable, printable

**Compatibility:** Windows/Mac/Tablet/Mobile

This service manual contains important information for the maintenance, troubleshooting and servicing of the **John Deere 644K (T2/S2) 4WD Loader (SN. from C000001,D000001) Operators Manual (OMT346595X19)**

In this manual you will find detailed specifications, illustrations, schematics, diagrams and step-by-step procedures to properly service and diagnose the machine to the manufacturer's standards.

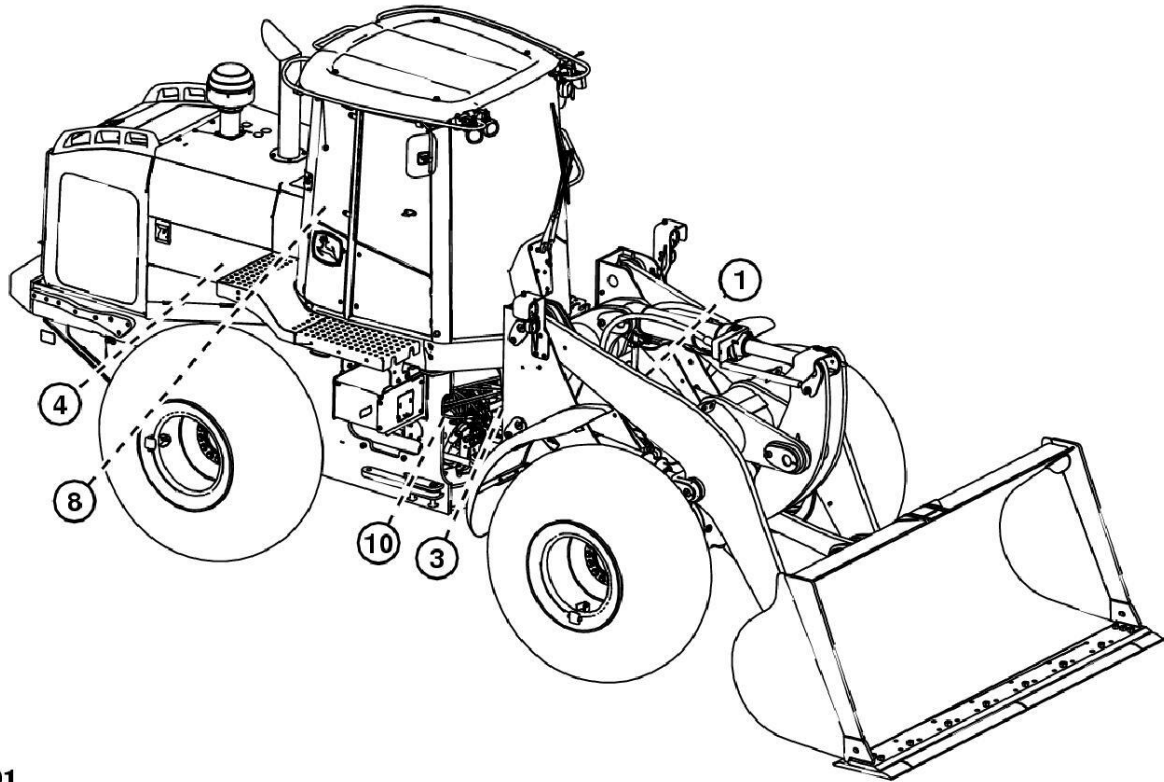
**Contents:**

- General Information
- Specifications
- Serial Number Location
- Engine Specifications
- Engine Diagnostics
- Engine Tests and Adjustments
- Engine Repair
- Power Train
- Transmission
- Axles
- Differential
- PTO
- Hydraulic System
- Electrical System
- Electrical Tests and Diagnostics
- Wiring Diagram / Schematic
- Ignition and Charging
- Steering
- Brakes
- Wheels
- Operator's Platform
- Body Panels
- Disassembly and Assembly
- Diagnostics, Tests and Adjustments
- Troubleshooting
- and much more...

Please note this manual is in **downloadable PDF format only**. If you have any questions about this product or would like to request sample pages, please contact us and reference the product name or SKU.

## Group 1.5 - Safety Signs

### Safety Signs

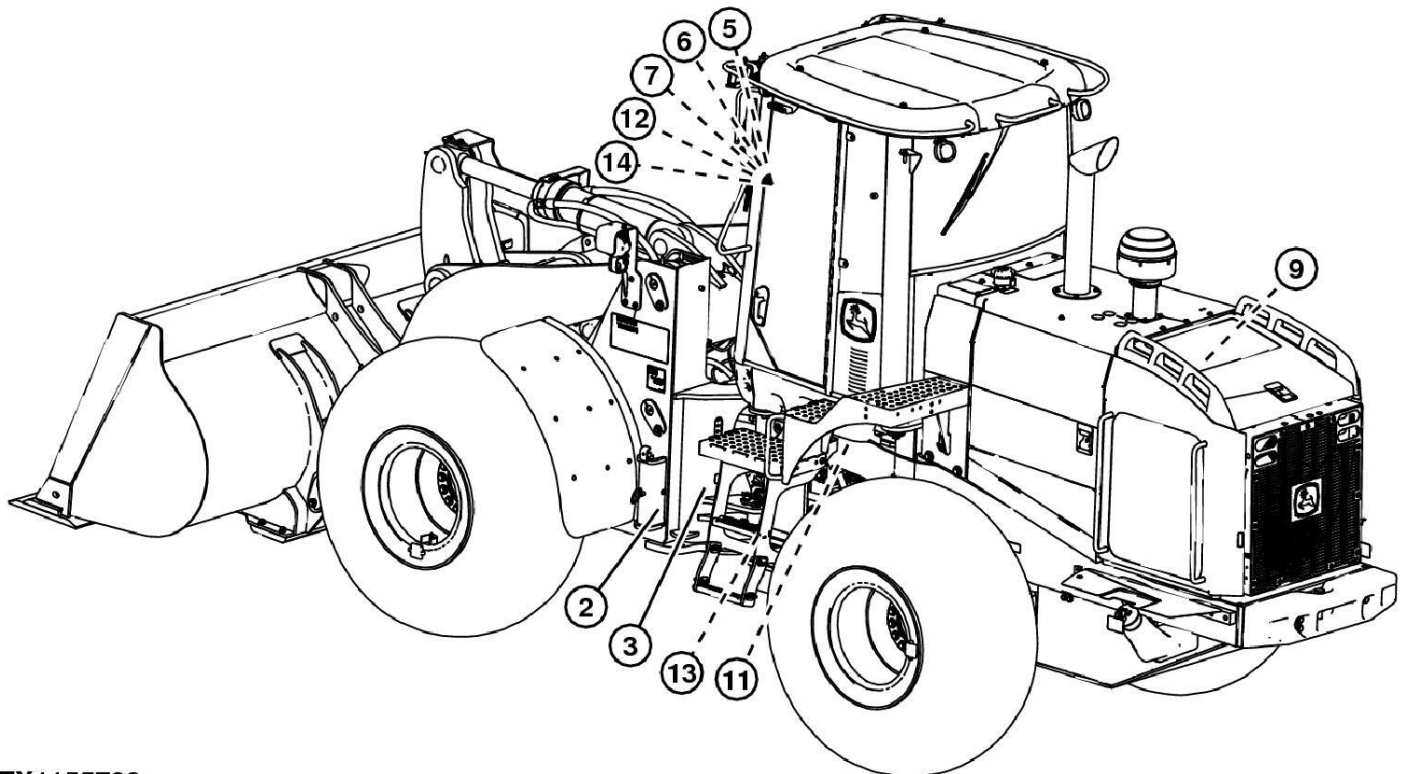


TX1155791

*Right Side Shown*

**LEGEND:**

- 1      WARNING, Avoid Injury From Escaping Fluid
- 3      WARNING, Install Articulation Lock
- 4      DANGER, Start Only From Seat
- 8      Protective Structure Certification
- 10     WARNING, Avoid Injury From Release Of High Pressure Oil



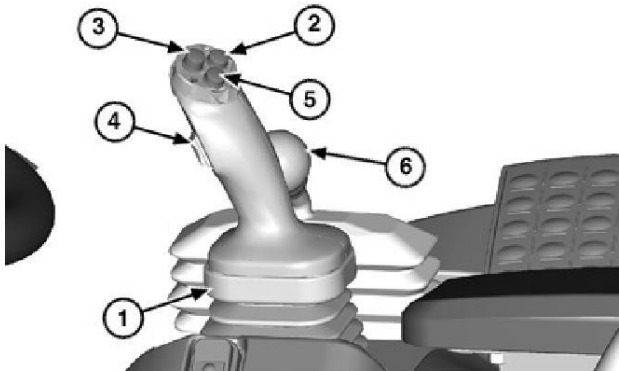
TX1155792

## Levers—Three Function Hydraulic Control

### →NOTE:

There are several control lever configurations available on John Deere four-wheel drive loaders. Please verify the configuration of machine before reviewing operating instructions.

### Joystick Bucket and Boom Control With Gearshift, Quick Shift Switch, FNR Switch, and Third Function Auxiliary Control Lever

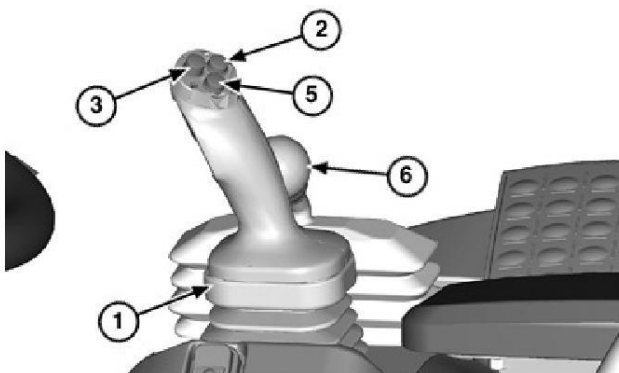


#### LEGEND:

- 1 Joystick Bucket and Boom Control
- 2 Increase Gear Button
- 3 Quick Shift Switch
- 4 Forward, Neutral, or Reverse (FNR) Switch
- 5 Decrease Gear Button
- 6 Third Function Auxiliary Control Lever

### Joystick Bucket and Boom Control With Gearshift, Quick Shift Switch, FNR Switch, and Third Function Auxiliary Control Lever

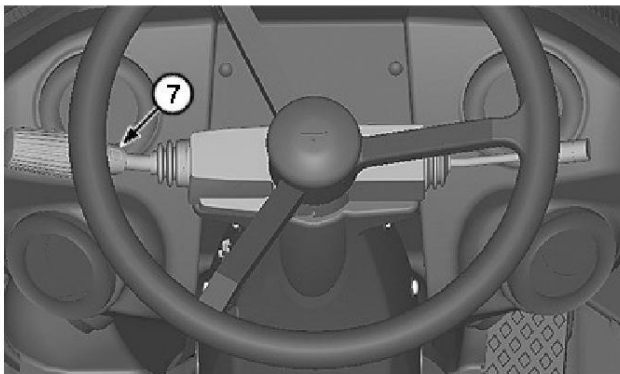
### Joystick Bucket and Boom Control With Gearshift and Quick Shift Switch, Steering Column FNR Lever, and Third Function Auxiliary Control Lever



#### LEGEND:

- 1 Joystick Bucket and Boom Control
- 2 Increase Gear Button
- 3 Quick Shift Switch
- 5 Decrease Gear Button
- 6 Third Function Auxiliary Control Lever
- 7 Steering Column Forward, Neutral, or Reverse (FNR) Lever

### Joystick Bucket and Boom Control With Gearshift, Quick Shift Switch, and Third Function Auxiliary Control Lever



### Steering Column FNR Lever



Thank you very much  
for your reading.  
Please click here  
to get more information.