

# John Deere 850L PL Pipelayer Ready Crawler Dozer Operation & Test Technical Manual - TM14355X19

## 850L PL Pipelayer Ready Crawler Dozer Operation and Test

PIN: 1T0850LP\_\_F352989—



JOHN HARE



COLLECTION

### OPERATION & TEST TECHNICAL MANUAL

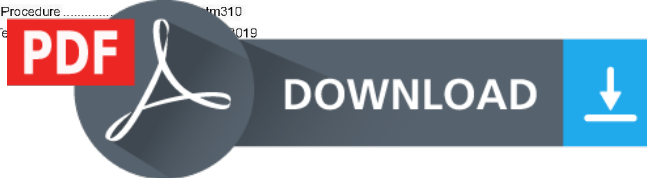
#### 850L PL Pipelayer Ready Crawler Dozer

(PIN: T0850LP\_\_F352989—)

TM14355X19 30NOV19 (ENGLISH)

For complete service information also see:

6090 PowerTech™ OEM Diesel Engines (Final Tier 4/Stage IV platform).....	d1m117719
850L PL Pipelayer Ready Crawler Dozer Repair.....	TM14355X19
Super Caddy Oil Cleanup Procedure.....	tm310
JDLink™ (MTG) 4G LTE Telematics.....	2019



Worldwide Construction and  
Forestry Division

Covers: 850L,1T0850LP\_\_,\_F352989(???)

**Type:** Service Manual

**Language:** English

**Pages:** 838

**Format:** PDF

**Features:** Bookmarked, searchable, printable

**Compatibility:** Windows/Mac/Tablet/Mobile

This service manual contains important information for the maintenance, troubleshooting and servicing of the **John Deere 850L PL Pipelayer Ready Crawler Dozer Operation & Test Technical Manual - TM14355X19**

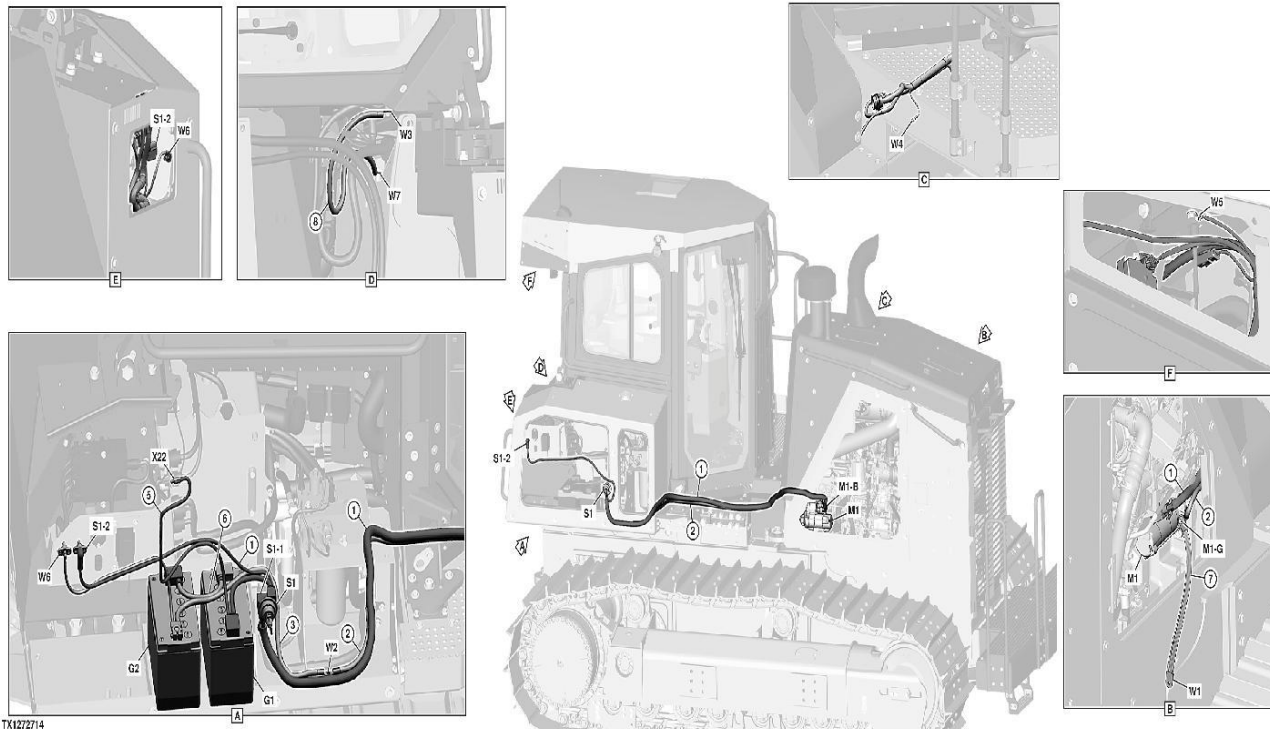
In this manual you will find detailed specifications, illustrations, schematics, diagrams and step-by-step procedures to properly service and diagnose the machine to the manufacturer's standards.

**Contents:**

- General Information
- Specifications
- Serial Number Location
- Engine Specifications
- Engine Diagnostics
- Engine Tests and Adjustments
- Engine Repair
- Power Train
- Transmission
- Axles
- Differential
- PTO
- Hydraulic System
- Electrical System
- Electrical Tests and Diagnostics
- Wiring Diagram / Schematic
- Ignition and Charging
- Steering
- Brakes
- Wheels
- Operator's Platform
- Body Panels
- Disassembly and Assembly
- Diagnostics, Tests and Adjustments
- Troubleshooting
- and much more...

Please note this manual is in **downloadable PDF format only**. If you have any questions about this product or would like to request sample pages, please contact us and reference the product name or SKU.

## Power and Grounds Component Location



TX1272714

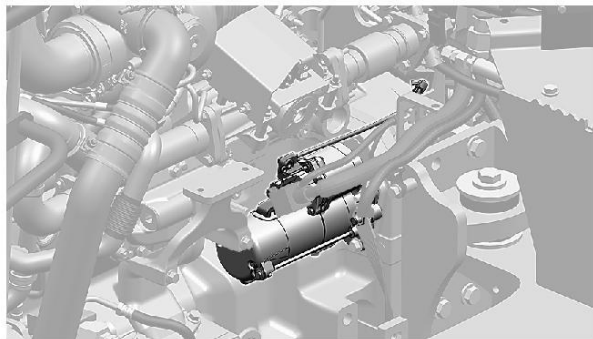
TX1272714-UN: Power and Grounds Component Location

**LEGEND:**

- 1-Battery Power Cable (battery disconnect switch out 1 to battery disconnect switch out 2 and starter motor power)
- 2-Ground Cable (starter motor ground to frame ground)
- 3-Ground Cable (battery negative terminal to battery ground and frame ground)
- 5-Battery Power Cable (battery positive terminal to battery power connector and disconnect switch)
- 6-Battery Cable (battery 2 positive terminal to battery 1 negative terminal)
- 7-Ground Strap (starter motor ground to system ground)
- 8-Ground Cable (roof ground to hydrostatic oil reservoir ground)
- G1-Battery 1
- G2-Battery 2
- M1-Starter Motor
- M1-B-Starter Motor Power
- M1-G-Starter Motor Ground
- S1-Battery Disconnect Switch
- S1-1-Battery Disconnect Switch Out 1
- S1-2-Battery Disconnect Switch Out 2
- W1-System Ground
- W2-Frame Ground
- W3-Roof Ground
- W4-Frame Ground (left)
- W5-Radio Antenna Ground
- W6-Battery Ground
- W7-Hydrostatic Oil Reservoir Ground
- X22-Load Center Harness-to-Battery Power Connector

JJ03229,00016AC-19-20190219

## Starter Interface Harness (W8) Component Location



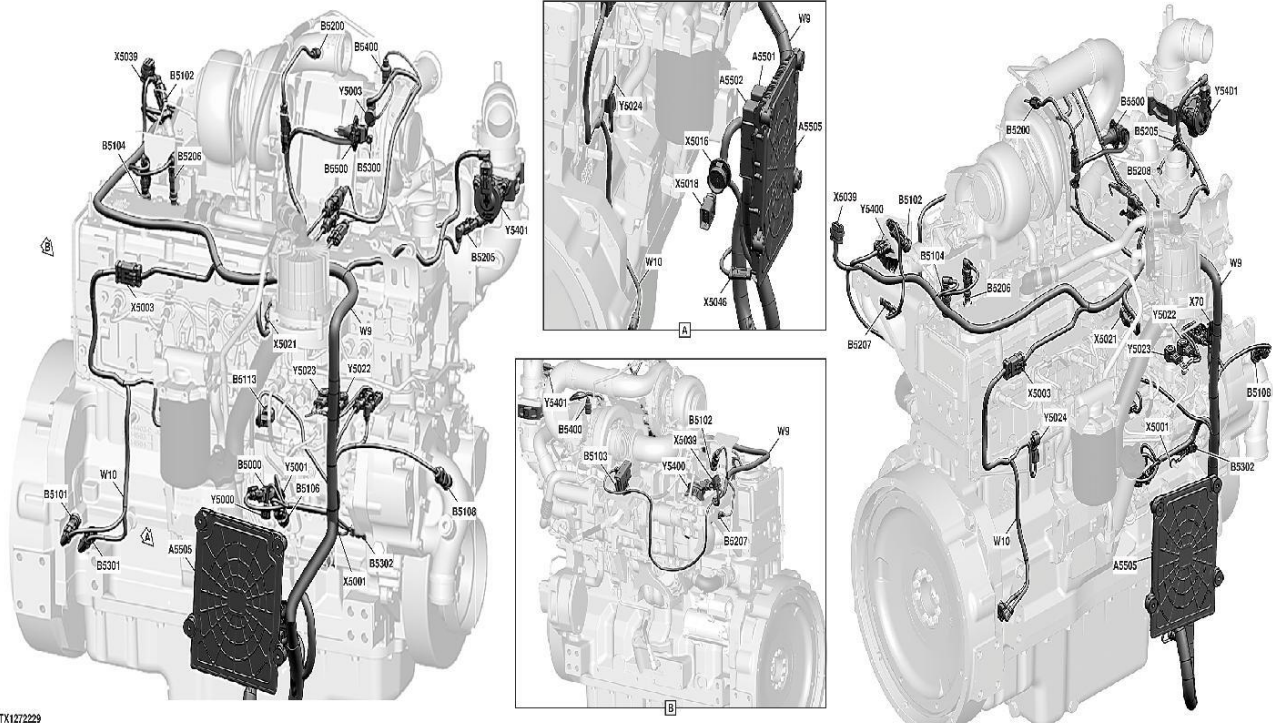
TX1272217-UN: Starter Interface Harness (W8) Component Location

**LEGEND:**

- M1-Starter Motor
- M1-S-Starter Motor S-Terminal
- W8-Starter Interface Harness
- X20-Engine Interface Harness-to-Starter Interface Harness Connector

JM46292,0000264-19-20190711

## Engine Harness (W9) Component Location



TX1272229

TX1272229-UN: Engine Harness (W9) Component Location

**LEGEND:**

- |  |   |  |
|--|---|--|
| <b>A5501-Engine Control Unit (ECU) Connector 1</b>                   | <b>B5207-Exhaust Gas Recirculation (EGR) Temperature Sensor</b>           | <b>X5018-Engine Harness-to-Engine Interface Harness 12-Pin Connector</b> |
| <b>A5502-Engine Control Unit (ECU) Connector 2</b>                   | <b>B5208-Engine Coolant Temperature Sensor</b>                            | <b>X5021-Engine Harness-to-Fuel Injector Harness Connector</b>           |
| <b>A5505-Engine Control Unit (ECU)</b>                               | <b>B5300-Variable Geometry Turbocharger (VGT) Speed Sensor</b>            | <b>X5039-Engine Harness-to-Aftertreatment Harness Connector</b>          |
| <b>B5000-Fuel Dosing Inlet Sensor</b>                                | <b>B5301-Crankshaft Position Sensor</b>                                   | <b>X5046-Fuel Transfer Pump Connector (not used)</b>                     |
| <b>B5101-Engine Oil Pressure Sensor</b>                              | <b>B5302-Camshaft Position Sensor</b>                                     | <b>Y5000-Fuel Dosing Shutoff Valve</b>                                   |
| <b>B5102-Exhaust Manifold Pressure Sensor</b>                        | <b>B5400-Variable Geometry Turbocharger (VGT) Vane Position Sensor</b>    | <b>Y5001-Fuel Dosing Control Valve</b>                                   |
| <b>B5103-Exhaust Gas Recirculation (EGR) Flow Sensor</b>             | <b>B5500-Intake Air Sensor</b>  | <b>Y5003-Variable Geometry Turbocharger (VGT) Actuator</b>               |
| <b>B5104-Manifold Air Pressure (MAP) Sensor</b>                      | <b>W9-Engine Harness</b>  | <b>Y5022-Pressure Control Valve 1</b>                                    |
| <b>B5106-Fuel Dosing Outlet Pressure Sensor</b>                      | <b>W10-Low-Pressure Fuel System Harness</b>                               | <b>Y5023-Pressure Control Valve 2</b>                                    |
| <b>B5108-Engine Coolant Pressure Sensor</b>                          | <b>X70-Engine Harness-to-Alternator Resistor Harness Connector</b>        | <b>Y5024-Fuel Rail Pressure Relief Valve</b>                             |
| <b>B5113-Fuel Rail Pressure Sensor</b>                               | <b>X5001-Engine Control Unit (ECU) Static Ground</b>                      | <b>Y5400-Exhaust Gas Recirculation (EGR) Valve</b>                       |
| <b>B5200-Fixed Turbocharger Compressor Outlet Temperature Sensor</b> | <b>X5003-Engine Harness-to-Low-Pressure Fuel System Harness Connector</b> | <b>Y5401-Air Throttle Actuator</b>                                       |
| <b>B5205-Charge Air Cooler Outlet Temperature Sensor</b>             | <b>X5016-Engine Harness-to-Engine Interface Harness 31-Pin Connector</b>  |  |
| <b>B5206-Manifold Air Temperature (MAT) Sensor</b>                   |   |  |

JJ03229,00016AD-19-20190207



Thank you very much  
for your reading.  
Please click here  
to get more information.