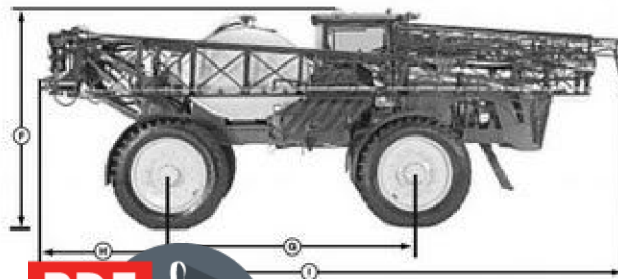
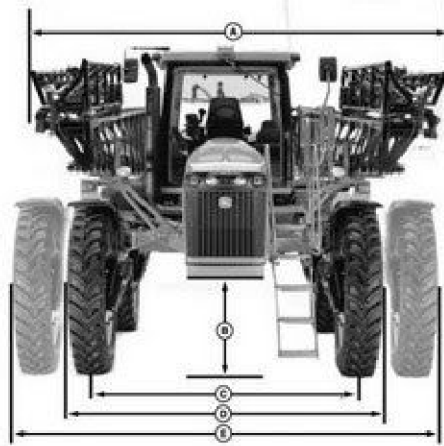


John Deere 4930 Self-Propelled Sprayer Diagnosis and Test Service Manual -TM1393

Dimensions



36.6 Dimensions

- LEGEND:**
- A Machine
 - B Underframe
 - C Tire Center-to-Center (Tractor), 3048 mm (10.0 ft)
 - D Wheel Width at Axle (Tractor), 3591 mm (11.8 ft)
 - E Wheel Width at Hub (Tractor Extended), 4607 mm (15.1 ft)
 - F Cab Height (Springs Inflated), 3891 mm (12.8 ft)
 - F Cab Height (Springs Deflated), 3790 mm (12.4 ft)

PDF  **DOWNLOAD** 

Covers: 4930 Self-Propelled Sprayers

Type: Service Manual

Language: English

Pages: 2255

Format: PDF

Features: Bookmarked, searchable, printable

Compatibility: Windows/Mac/Tablet/Mobile

This service manual contains important information for the maintenance, troubleshooting and servicing of the John Deere **4930 Self-Propelled Sprayers**

In this manual you will find detailed specifications, illustrations, schematics, diagrams and step-by-step procedures to properly service and diagnose the machine to the manufacturer's standards.

Contents:

- General Information
- Specifications
- Serial Number Location
- Engine Specifications
- Engine Diagnostics
- Engine Tests and Adjustments
- Engine Repair

- Power Train
- Transmission
- Axles
- Differential
- PTO
- Hydraulic System
- Electrical System
- Electrical Tests and Diagnostics
- Wiring Diagram / Schematic
- Ignition and Charging
- Steering
- Brakes
- Wheels
- Operator's Platform
- Body Panels
- Disassembly and Assembly
- Diagnostics, Tests and Adjustments
- Troubleshooting
- and much more...

Please note this manual is in **downloadable PDF format only**. If you have any questions about this product or would like to request sample pages, please contact us and reference the product name or SKU.



Thank you very much
for your reading.
Please click here
to get more information.