



# Bobcat®

## Dozer 96 Inch

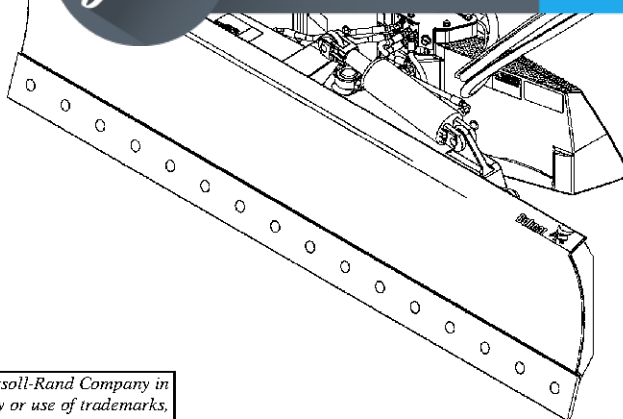
# Service Manual

(96 Inch) S/N 224400101 & Above

PDF



DOWNLOAD



*Doosan purchased Bobcat Company from Ingersoll-Rand Company in 2007. Any reference to Ingersoll-Rand Company or use of trademarks, service marks, logos, or other proprietary identifying marks belonging to Ingersoll-Rand Company in this manual is historical or nominative in nature, and is not meant to suggest a current affiliation between Ingersoll-Rand Company and Bobcat Company or the products of either.*



## ALPHABETICAL INDEX

ACD (ATTACHMENT CONTROL DEVICE) .....	30-10-1
ATTACHMENT DELIVERY REPORT .....	III
CUTTING EDGE .....	30-40-1
ELECTRICAL SCHEMATIC-7 PIN CONNECTOR .....	SPEC-20-1
ELECTRICAL SCHEMATIC-7 PIN CONNECTOR WITH 14 PIN ADAPTER HARNESS .....	SPEC-20-1
HYDRAULIC CONTROL VALVE .....	20-10-1
HYDRAULIC CYLINDER .....	20-20-1
HYDRAULIC SCHEMATIC .....	SPEC-30-1
INSPECTION .....	10-20-1
IDENTIFICATION .....	IV
MOLDBOARD .....	30-20-1
MOUNTING FRAME AND ROTATING SECTION .....	30-30-1
LUBRICATION .....	10-40-1
SERIAL NUMBER LOCATION .....	III
SPECIFICATIONS .....	SPEC-10-1
TROUBLESHOOTING .....	10-10-1



**Bobcat®**

## CONTENTS

ATTACHMENT DELIVERY REPORT .....	III
IDENTIFICATION AND MACHINE SIGNS (DECALS) .....	IV
SERIAL NUMBER LOCATION .....	III
SAFETY AND MAINTENANCE.....	10-01
HYDRAULIC SYSTEM .....	20-01
MAIN FRAME .....	30-01
SPECIFICATIONS AND SCHEMATICS .....	SPEC-01

**SAFETY AND  
MAINTENANCE**

**HYDRAULIC  
SYSTEM**

**MAIN  
FRAME**

**SPECIFICATIONS  
AND  
SCHEMATICS**

### CALIFORNIA

#### PROPOSITION 65 WARNING

Diesel engine exhaust and some of its constituents are known to the State of California to cause cancer, birth defects and other reproductive harm.



Thank you very much  
for your reading.  
Please click here  
to get more information.