

SHOP MANUAL

JOHN DEERE

MODELS 50 - 60 - 70
(Gasoline, All-Fuel & LP-Gas)

IDENTIFICATION

Tractor serial number stamped on plate on right side of main case.

INDEX (By Starting Paragraph)

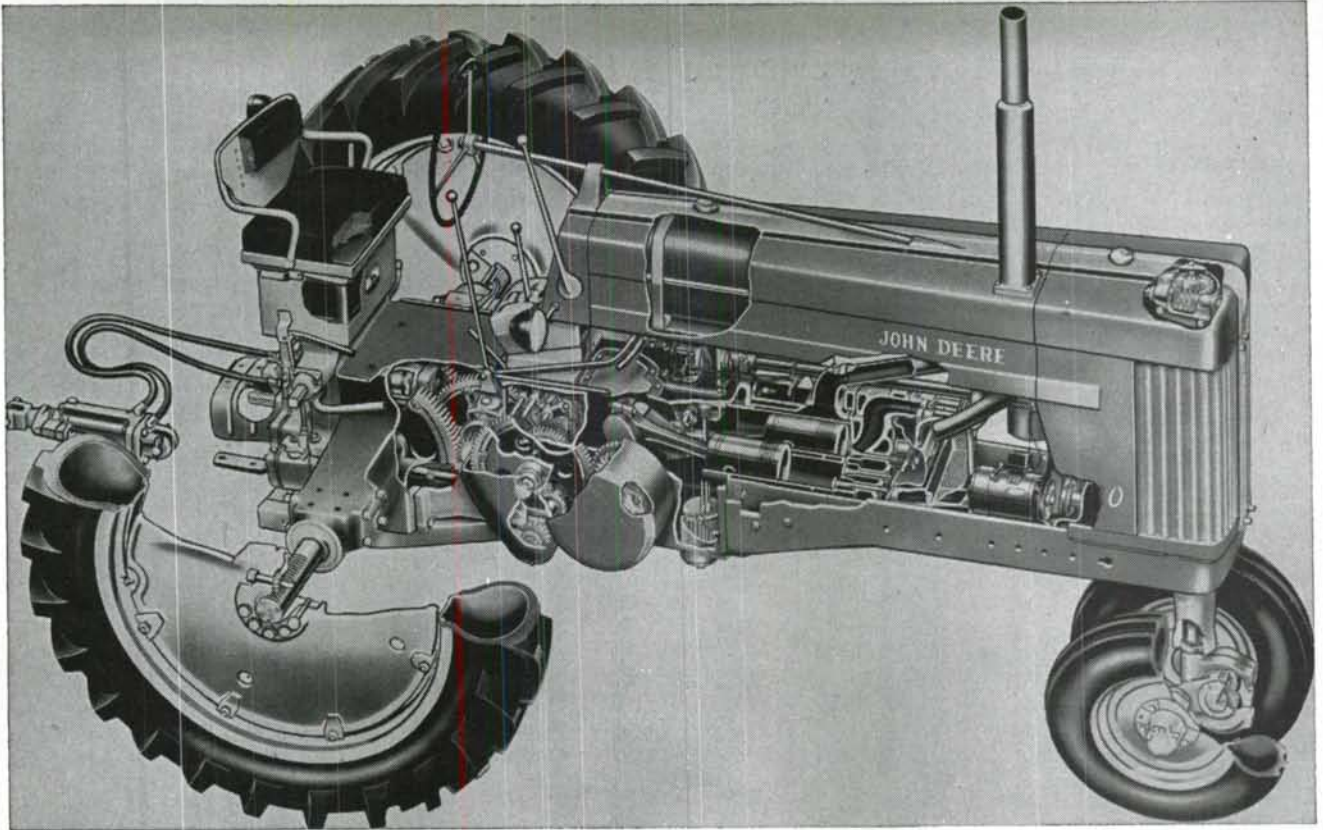
| | Model 50 | Model 60 | Model 70 | | Model 50 | Model 60 | Model 70 |
|----------------------------------|----------|----------|----------|----------------------------|----------|----------|----------|
| BELT PULLEY | 120 | 120 | 120 | FRONT SYSTEM (Tricycle) | | | |
| BRAKES | 150 | 150 | 150 | Pedestal | 1 | 1 | 1 |
| CARBURETOR (Not LP-Gas) | 68 | 68 | 68 | "Roll-O-Matic" | 4 | 4 | 4 |
| CARBURETOR (LP-Gas) | 87 | 83, 87 | 83, 87 | Vertical spindle | 1 | 1 | 1 |
| COOLING SYSTEM | | | | FRONT SYSTEM (Axle) | | | |
| Fan & shaft | 107 | 107 | 107 | Axle pivot pins | 7 | 7 | 7 |
| Radiator | 105 | 105 | 106 | Drag links | 6 | 6 | 6 |
| Thermostat | 109 | 109 | 109 | Pedestal | 8 | 8 | 8 |
| Water pump | 111 | 111 | 111 | Steering knuckles | 5 | 5 | 5 |
| DIFFERENTIAL | | | | Vertical spindle | 8 | 8 | 8 |
| Overhaul | 142 | 144 | 144 | GOVERNOR | | | |
| Remove & reinstall | 141 | 143 | 143 | Adjust | 100 | 100 | 100 |
| ENGINE | | | | Overhaul | 101 | 101 | 101 |
| Cam followers | 48 | 48 | 49 | Reclaiming case | 104 | 104 | 104 |
| Camshaft & bearings | 47 | 47 | 47 | "POWR-TROL" | | | |
| Connecting rods & bearings | 5 | 5 | 5 | Bleeding | 180 | 180 | 180 |
| Crankcase cover | 6 | 6 | 6 | Check valves | 187 | 187 | 187 |
| Crankshaft | 58 | 58 | 58 | Operating valve | 190 | 190 | 190 |
| Cylinder block | 54 | 54 | 54 | | 186 | 186 | 186 |
| Cylinder head | 30 | 30 | 30 | | 182 | 182 | 182 |
| Flywheel | 59 | 59 | 59 | | 194 | 194 | 194 |
| Ignition timing | 113 | 113 | 113 | | 192 | 192 | 192 |
| Main bearings | 55 | 55 | 55 | | 192 | 192 | 192 |
| Manifold | 67 | 67 | 67 | | 181 | 181 | 181 |
| Oil filter | 63 | 63 | 63 | | 191 | 191 | 191 |
| Oil pressure | 62 | 62A | 62A | PTO (Non-Continuous) | | | |
| Oil pump | 65 | 65 | 65 | Bevel gears | 161 | 161 | 161 |
| Pistons & rings | 51 | 51 | 51 | Output shaft & seal | 160 | 160 | 160 |
| Piston pins | 52 | 52 | 52 | PTO (Continuous) | | | |
| Piston & rod removal | 50 | 50 | 50 | Adjust clutch | 165 | 165 | 165 |
| Oil seal (left hand) | 57 | 57 | 57 | Clutch overhaul | 167 | 167 | 167 |
| Oil seal (right hand) | 56 | 56 | 56 | Bevel gears | 169 | 169 | 169 |
| Rocker arms | 38 | 38 | 38 | Oil pump | 168 | 168 | 168 |
| Timing gears | 40 | 40 | 40 | Output shaft & seal | 167 | 167 | 167 |
| Valves & seats | 32 | 32 | 32 | REAR AXLE | 147 | 147 | 147 |
| Valve guides & springs | 36 | 36 | 36 | STEERING GEAR | | | |
| Valve rotators | 35 | 35 | 35 | Manual | 9 | 9 | 9 |
| Valve timing | 39 | 39 | 39 | Power | 16 | 16 | 16 |
| FINAL DRIVE | | | | TRANSMISSION | | | |
| Axle shafts | 147 | 147 | 147 | Countershaft | 128 | 135 | 140A |
| Bull gears—R&R | 147 | 147 | 147 | Drive shaft | 127 | 134 | 140 |
| Bull pinions—R&R | 142 | 144 | 144 | Reduction gear cover | 123 | 130 | 136 |
| | | | | Shifters & shafts | 125 | 132 | 138 |
| | | | | Sliding gear shaft | 126 | 133 | 139 |
| | | | | Top cover | 124 | 131 | 137 |

PDF

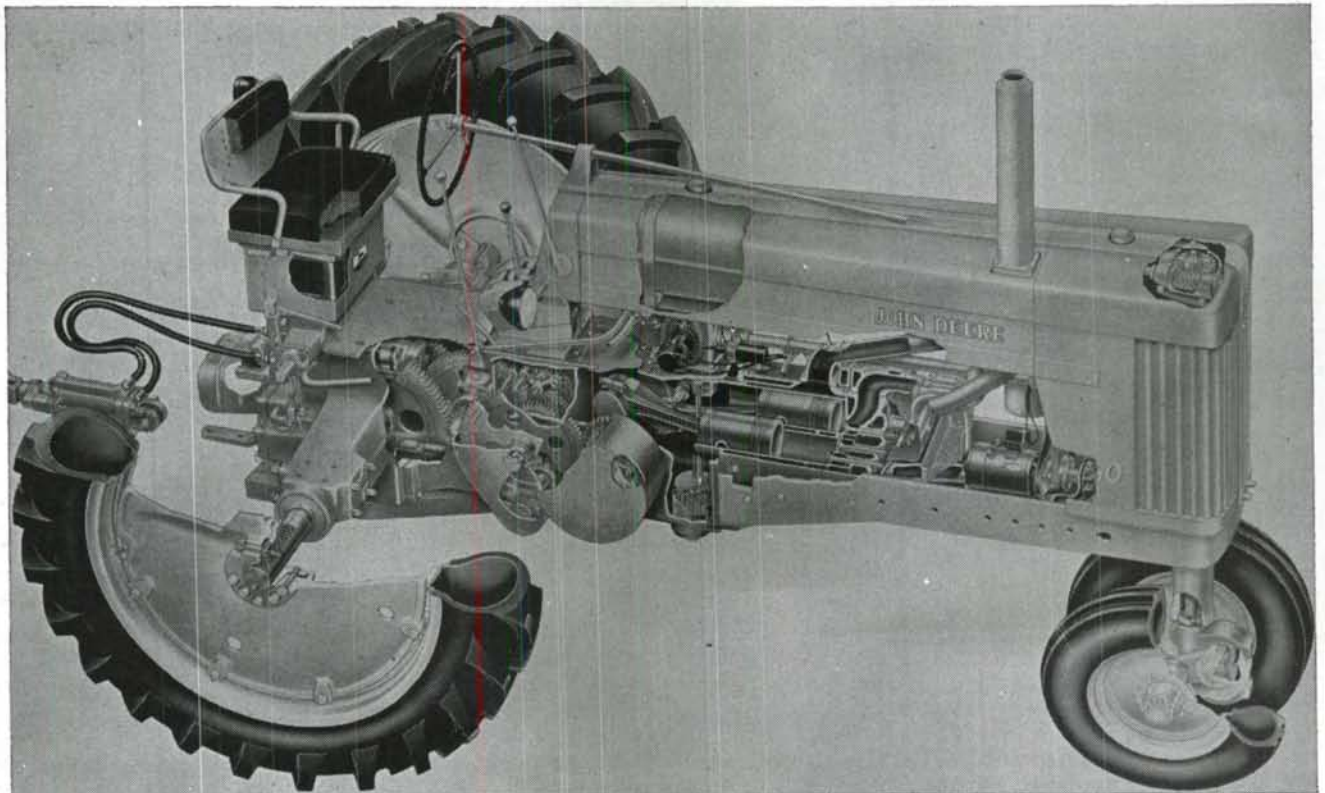


DOWNLOAD





John Deere Model 50



John Deere Model 60



Thank you very much
for your reading.
Please click here
to get more information.