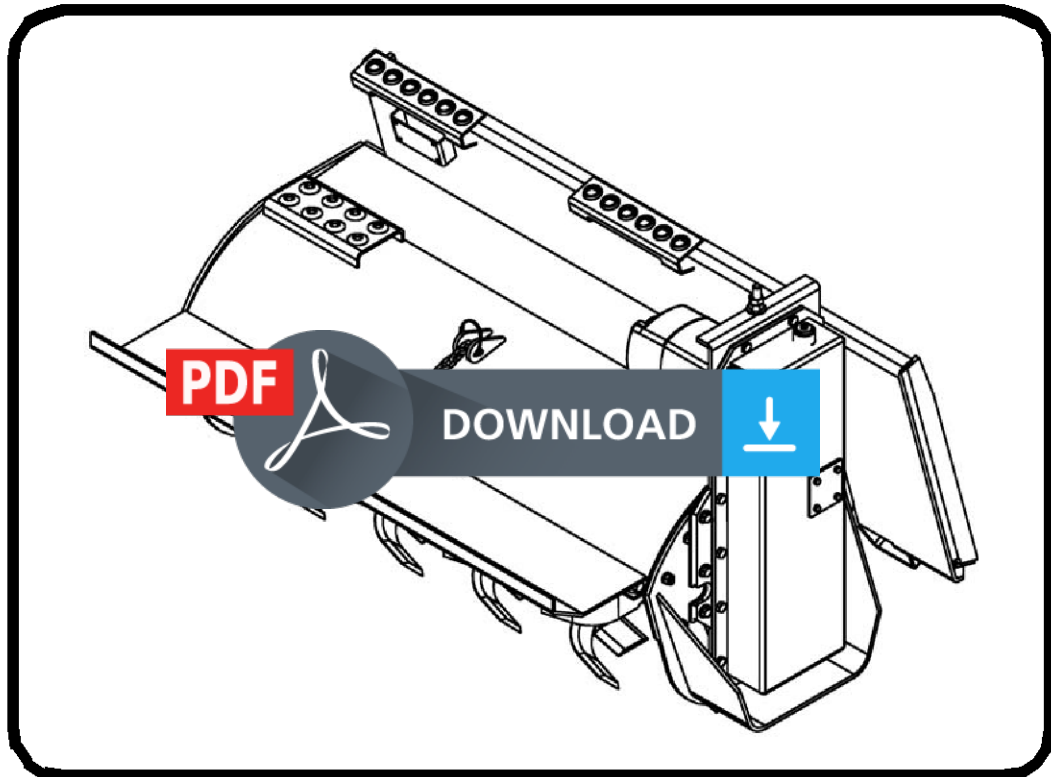




Bobcat®

Service Manual 38 Inch Tiller

(TILLER 38) - S/N 614400101 & Above





Thank you very much
for your reading.
Please click here
to get more information.