

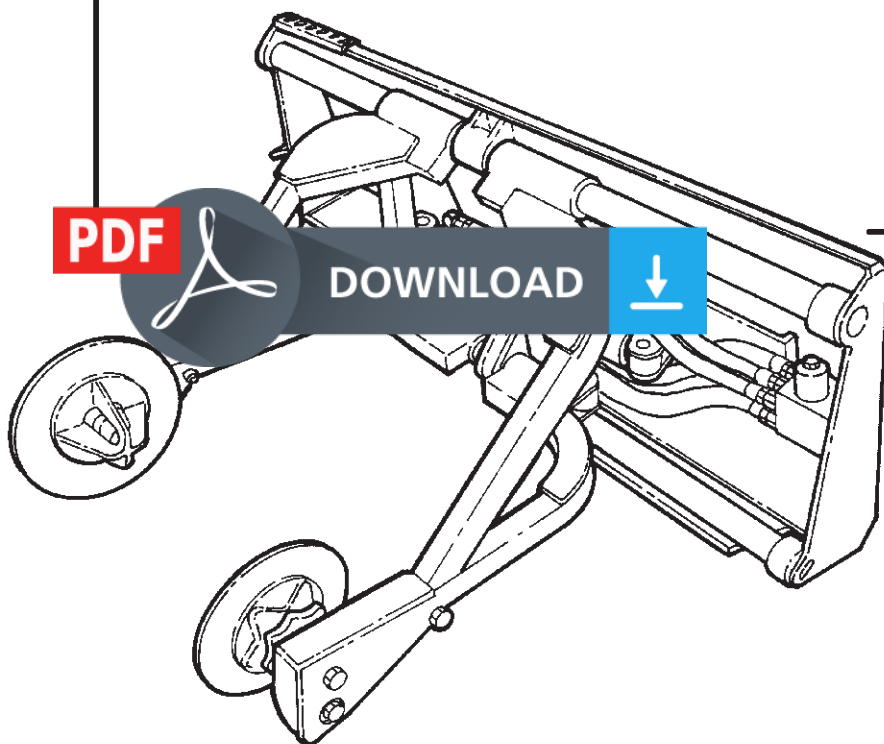


Bobcat®

**SOD
LAYER**

Service Manual

**S/N 749900101 & Above
S/N 231811101 & Above
S/N 679100101 & Above**





Thank you very much
for your reading.
Please click here
to get more information.