

# John Deere 9470RT, 9520RT and 9570RT Tractors (SN 917000-) Repair Technical Manual - TM146919

**9470RT, 9520RT and  
9570RT Tractors Repair  
(SN. 917000-)**



JOHN HARE



COLLECTION

**REPAIR TECHNICAL MANUAL**

**9470RT, 9520RT and 9570RT Tractors (SN. 917000-)**

TM146919 01DEC18 (ENGLISH)



John Deere Waterloo Works

**Covers:** 917000-);,9470RT,9520RT,9570RT

**Type:** Service Manual

**Language:** English

**Pages:** 820

**Format:** PDF

**Features:** Bookmarked, searchable, printable

**Compatibility:** Windows/Mac/Tablet/Mobile

This service manual contains important information for the maintenance, troubleshooting and servicing of the **John Deere 9470RT, 9520RT and 9570RT Tractors (SN 917000-) Repair Technical Manual - TM146919**

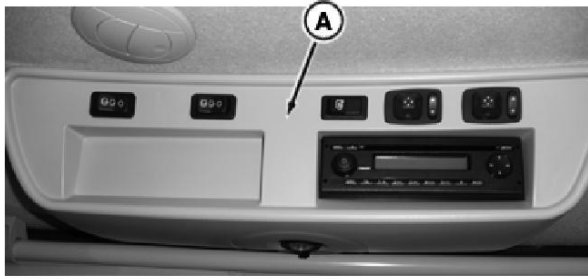
In this manual you will find detailed specifications, illustrations, schematics, diagrams and step-by-step procedures to properly service and diagnose the machine to the manufacturer's standards.

**Contents:**

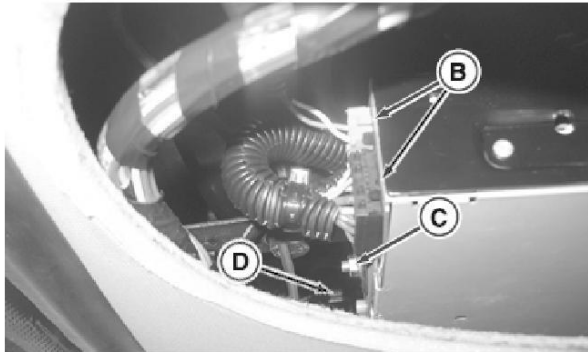
- General Information
- Specifications
- Serial Number Location
- Engine Specifications
- Engine Diagnostics
- Engine Tests and Adjustments
- Engine Repair
- Power Train
- Transmission
- Axles
- Differential
- PTO
- Hydraulic System
- Electrical System
- Electrical Tests and Diagnostics
- Wiring Diagram / Schematic
- Ignition and Charging
- Steering
- Brakes
- Wheels
- Operator's Platform
- Body Panels
- Disassembly and Assembly
- Diagnostics, Tests and Adjustments
- Troubleshooting
- and much more...

Please note this manual is in **downloadable PDF format only**. If you have any questions about this product or would like to request sample pages, please contact us and reference the product name or SKU.

## Replace Radio and Speakers



1. RXA0133638-UN: Bezel Assembly



RXA0117267-UN: Radio

**LEGEND:**

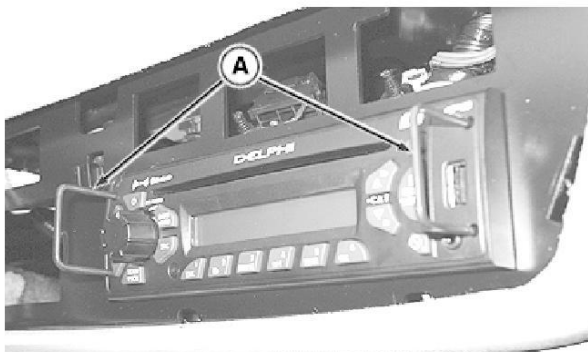
- A-Assembly**
- B-Connectors**
- C-Nut**
- D-Antenna**

Pull bezel assembly (A) towards center of cab.

2. Disconnect connectors to courtesy light, remote mirror switch, and rear wiper switch if equipped.
3. Remove bezel.
4. Disconnect radio connectors (B).
5. Remove nut (C).
6. Disconnect antenna (D).

7. **NOTE:**

Radio removal tools may be needed to replace radio.

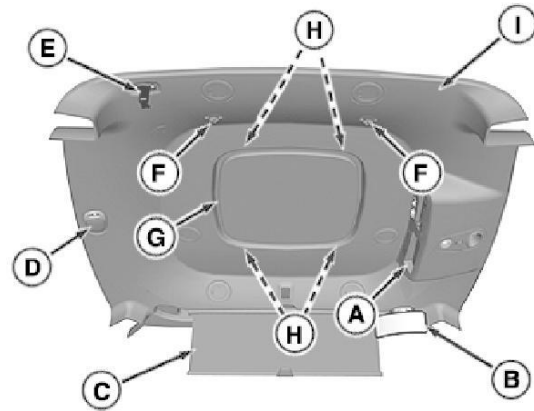


RXA0105460-UN: Radio Removal Tools

**LEGEND:**

- A-Radio Removal Tools**

Install radio removal tools (A) into radio and pull out radio.



8. RXA0117268-UN: Headliner

**LEGEND:**

- A-Bezel Cover**
- B-Mirror**
- C-Sun shade**
- D-Dome Light Assembly**
- E-Coat Hook**
- F-Resonator Port Bezels (2 used)**
- G-Filter Cover**
- H-Screws (4 used)**
- I-Headliner**

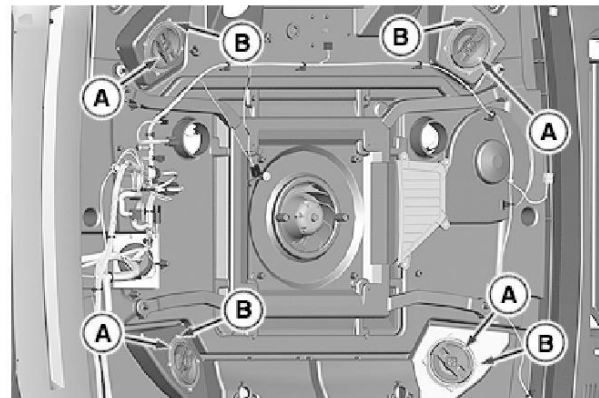
Remove cab post covers.

9. **NOTE:**

Bezel assembly is held in place with clips. Pull straight out on assembly when removing.

Remove bezel assembly (A) and disconnect switches.

10. Remove mirror (B) and sun shade (C).
11. Remove dome light assembly (D) and disconnect light.
12. Remove coat hook (E) and resonator port bezels (F).
13. Remove filter cover (G).
14. Remove headliner-to-inner roof screws (H) and headliner (I).



15. RXA0103020-UN: Radio Speakers Installed

**LEGEND:**

- A-Speakers (4 used)**
- B-Screws (16 used)**

Disconnect cab harness connectors from speakers (A).

16. Remove screws (B) and lower speakers from inner roof.



Thank you very much  
for your reading.  
Please click here  
to get more information.