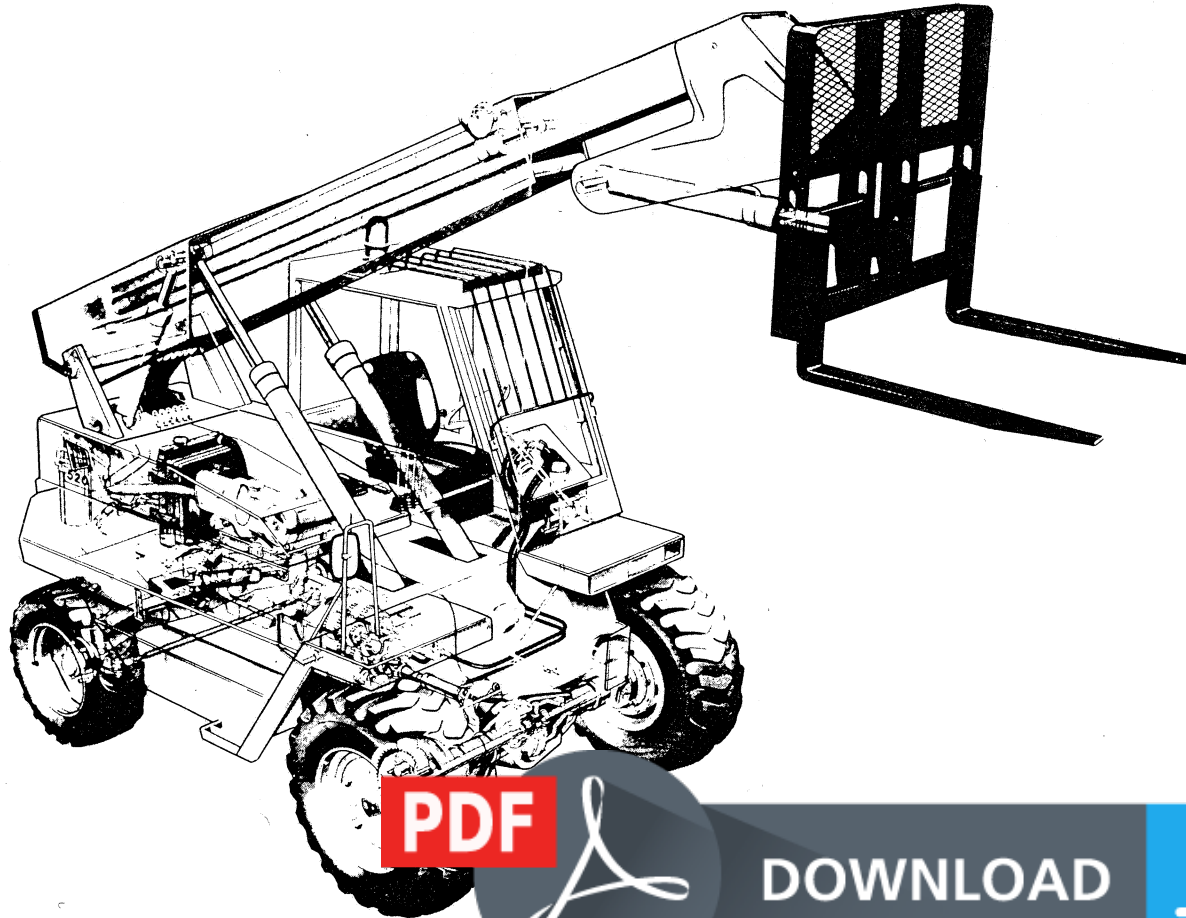




# LOADALL



Forks & Attachments	<b>A</b>
Body & Framework	<b>B</b>
Electrics	<b>C</b>
Control	<b>D</b>
Hydraulics	<b>E</b>
Transmission	<b>F</b>
Rakes	<b>G</b>
Steering	<b>H</b>
Engine	<b>K</b>

**PDF**  **DOWNLOAD** 

**525**  
**525-4**

TO M271235

**530-2/4**  
**530-2HL/4HL**

M271300 ON → To 271719

(530 H/L 1<sup>ST</sup> M/C M271359)

**A**

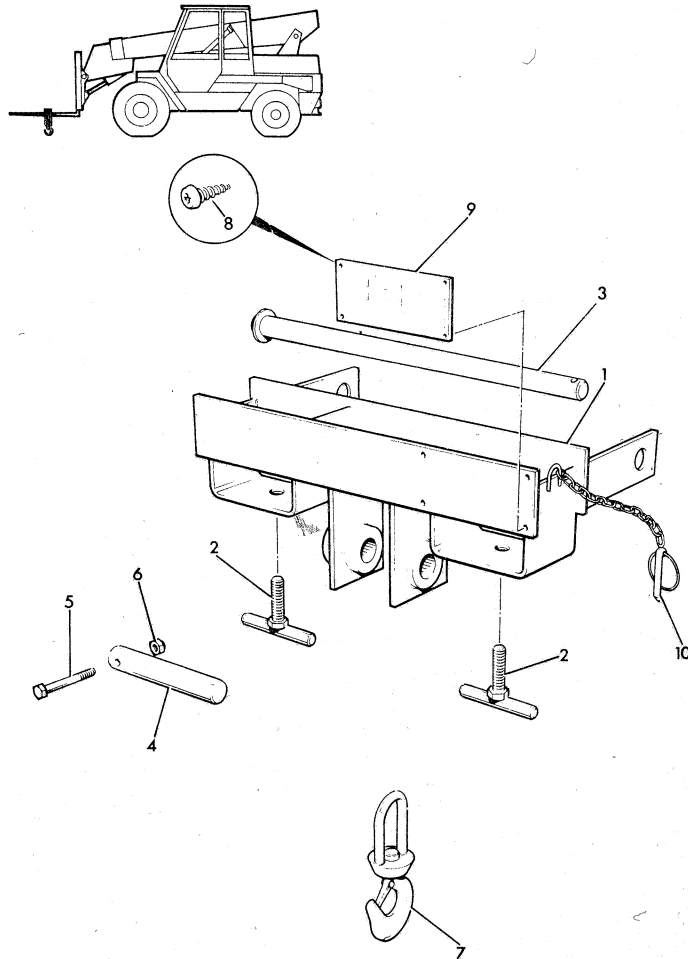
**Page A1-1 to A11-1**





# A1-1 CRANE HOOK/MOUNTING

7000M ISSUE 2\*



ITEM	PART No.	CHANGE No.	DESCRIPTION	REMARKS	QTY.
1	547/50200	....	Mounting Bracket	.....	1
2	547/50100	....	Lock Handle	.....	2
3	547/50400	....	Lock Pin	.....	1
4	1019/2023	....	*Pivot Pin	Also used on	1
5	1305/3222	....	*Bolt		Multi Hitch
6	1340/0204	....	*Nut	Carrier	1
7	918/00200	....	*Swivel Hook 269 kg.	Page A 11-1	1
8	826/00115	....	Screw	.....	4
9	817/00267	....	Rating Plate	.....	1
10	114/17600	....	Lynch Pin and Chain	.....	1



Thank you very much  
for your reading.  
Please click here  
to get more information.