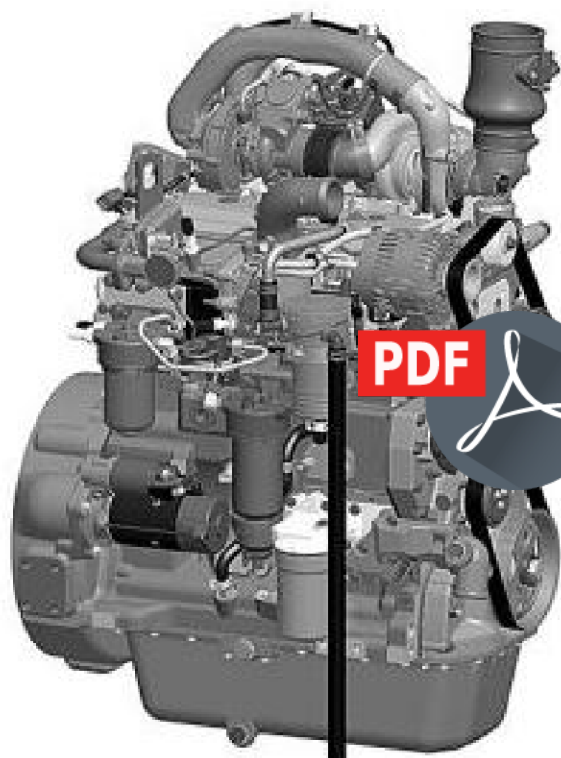


## Identification Views

### 4045 PSS Engine—Final Tier 4/Stage IV



### 4045HFC09 Left View

**PDF****DOWNLOAD**

### 4045HFC09 Right View

### 4045 PWS Engine—Final Tier 4/Stage IV

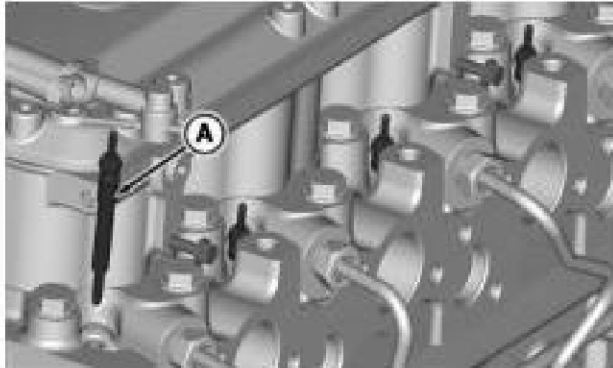
## Glow Plug – Installation

### →NOTE:

In some applications, glow plugs are not used for cold starting of the engine.

[1] - Install four glow plugs (A) into the cylinder head. Tighten glow plugs to specification.

Item	Measurement	Specification
Glow Plugs	Torque	15 N·m (133 lb-in)

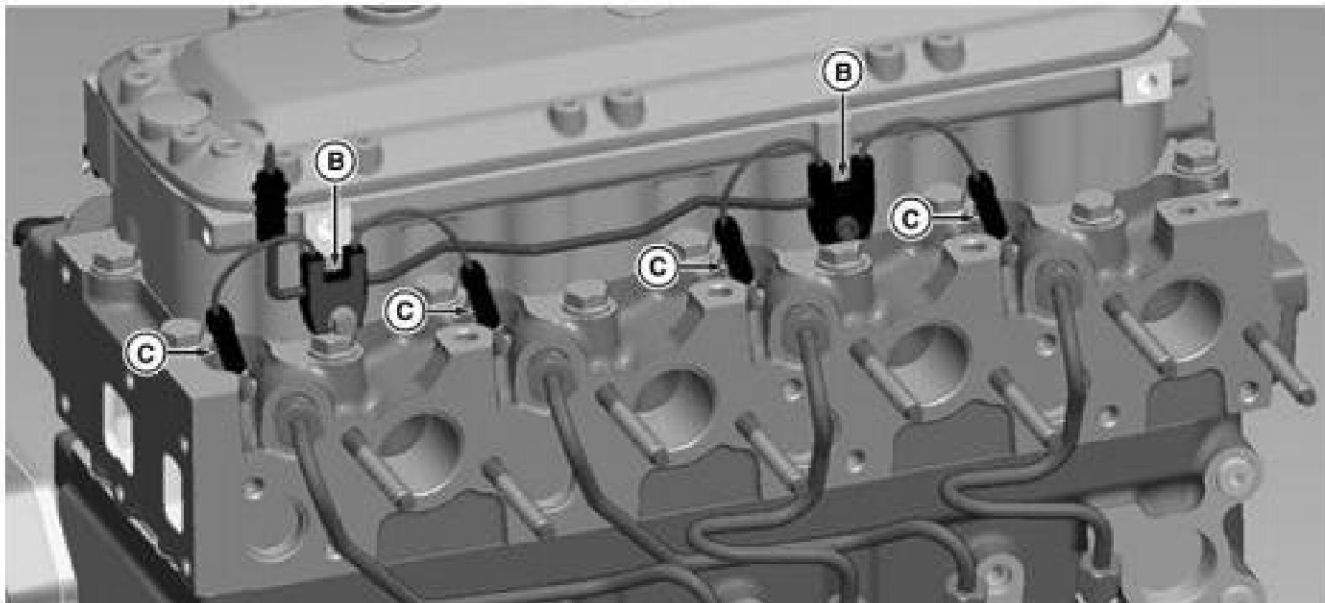


### LEGEND:

A Glow Plugs (4 Used)

### Glow Plugs Installation

[2] - Assemble glow plug bus bar connectors (B) to the side of rocker arm carrier. Insert all the glow plug connectors (C) onto the glow plugs. Press until the connector fully seats against the glow plug body.

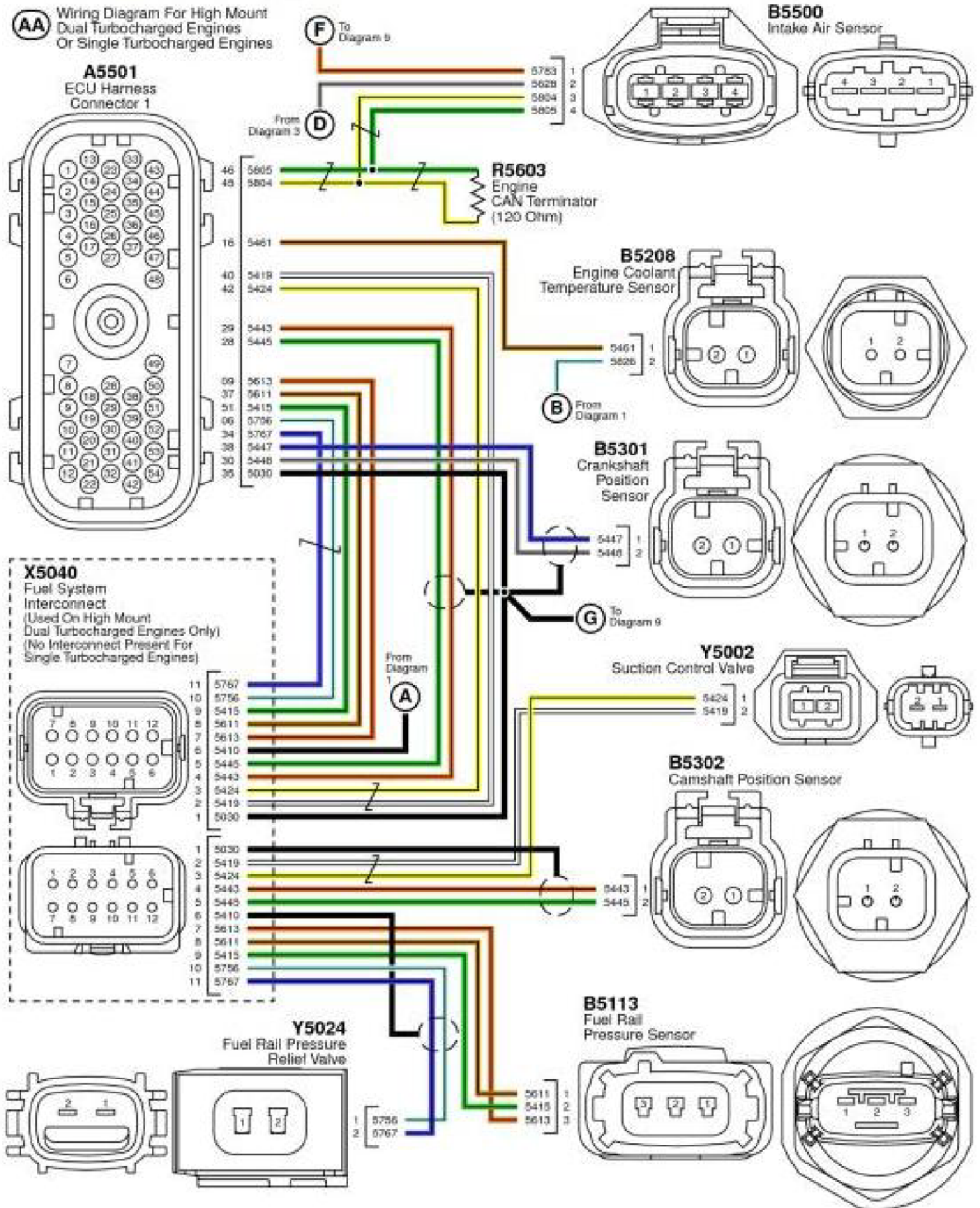


### Glow Plug Connectors Installation

#### LEGEND:

B Bus Bar Connectors  
C Glow Plug Connectors

### 4.5 L Wiring Diagram 5

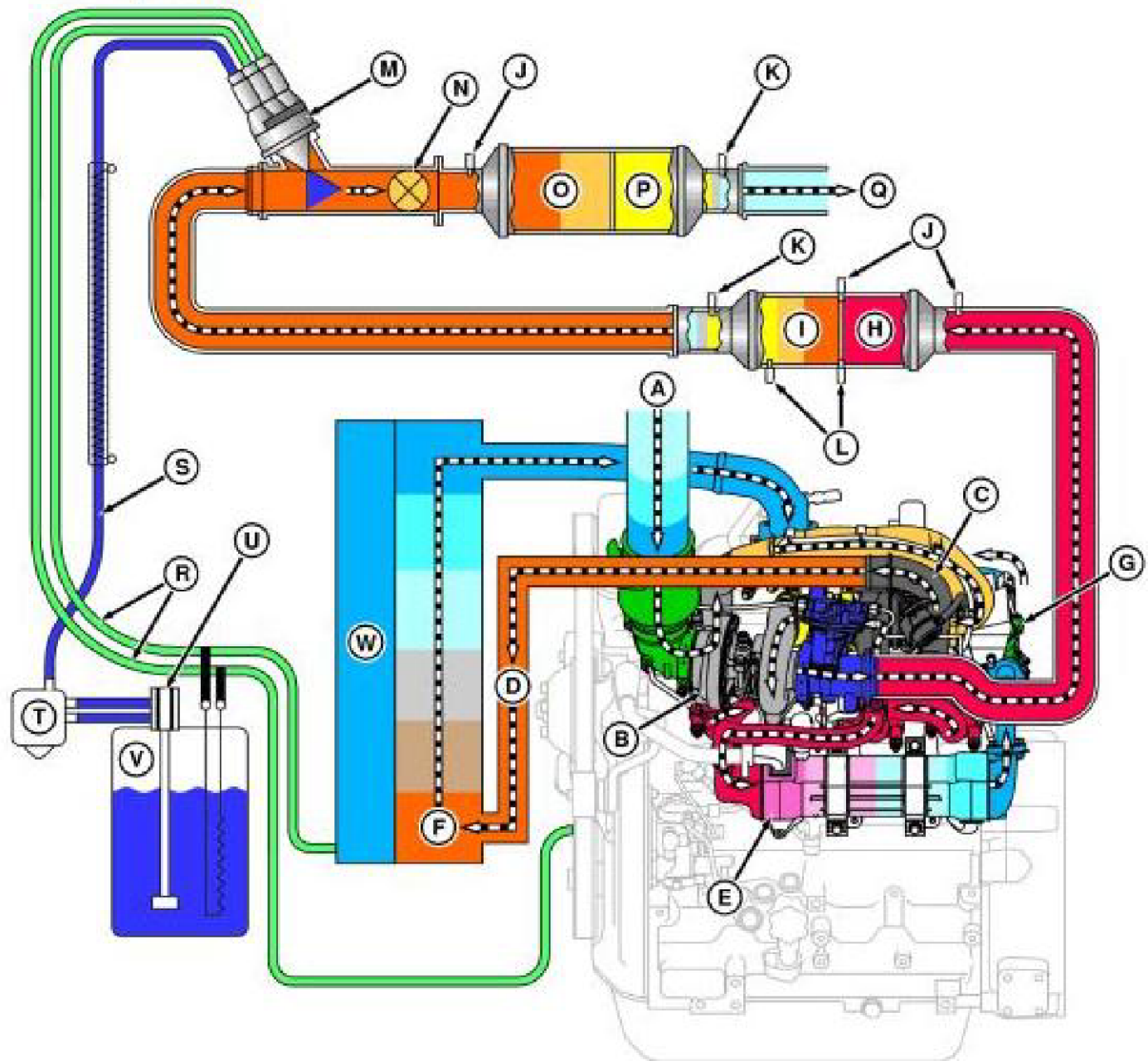


4.5 L Wiring Diagram 5

**LEGEND:**

A [5410 Black] Wiring Shield From 4.5 L Wiring Diagram 1

## SCR Operation



### SCR Operation

#### LEGEND:

A	Inlet Air
B	Fixed Turbocharger
C	Wastegate Turbocharger
D	Compressed Air from Wastegate Turbocharger
E	EGR Cooler
F	Charge Air Cooler
G	EGR Valve
H	DOC
I	DPF (If equipped)
J	Aftertreatment Temperature Sensors
K	Aftertreatment NOx Sensors (2)
L	DPF Differential Pressure Sensors
M	DEF Injector
N	Decomposition Tube Mixer
O	Selective Catalyst Reduction (SCR)
P	Ammonia Oxidation Catalyst (AOC)
Q	Exhaust Gas Outlet

## CTM120119 - John Deere PowerTech 4045 Diesel Engine (Final Tier 4/Stage IV) with Level 34 ECU Technical Manual

Illustrated Factory Diagnostic and Repair Component Technical Manual for PowerTech 4045 4-Valve Diesel Engine (PSS, PWS, PWL) (Final Tier 4/Stage IV platform) with Level 34 ECU (John Deere Diesel OEM Engines) This manual contains high quality images, circuit diagrams, instructions to help you to operate, maintenance, diagnostic, and repair your truck. This document is printable, without restrictions, contains searchable text, bookmarks, crosslinks for easy navigation. Language: English Format: PDF, 2724 pages Covered models: 4045HFC04, 4045HFC07, 4045HFC09, 4045HFG04, 4045HFG09 4045HLV72 ,4045HL500, 4045HL501, 4045HT082, 4045HT083 4045HDW57, 4045HT078, 4045HT079, 4045HMC04



Thank you very much  
for your reading.  
Please click here  
to get more information.