

# SERIES 400 6076 DIESEL ENGINES



JOHN HARE



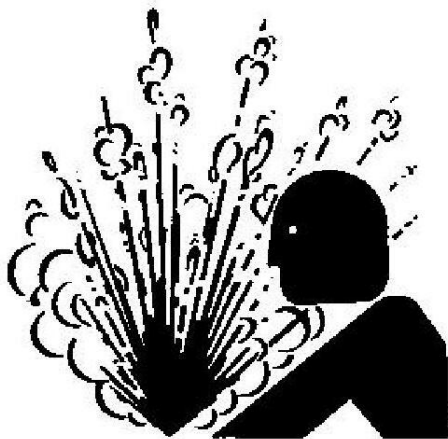
COLLECTION

## COMPONENT TECHNICAL MANUAL

**7.6L, 6076, 400 Series**

CTM42 22 FEB 05 (English)



**CAUTION:****Cooling System Safety**

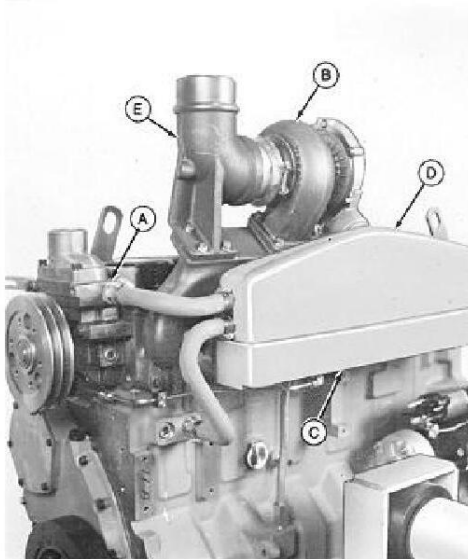
**After operating engine, allow exhaust system to cool before removal.**

**DO NOT drain coolant until the coolant is below operating temperature. Always loosen drain valve slowly to relieve any excess pressure.**

Remove rocker arm cover, if not previously done.

**[1]** - Drain all engine oil and coolant. Disconnect turbocharger oil inlet line at turbocharger or oil conditioning housing. (See [DISCONNECT TURBOCHARGER OIL INLET LINE](#) in Group 03.)

**[2]** -

**LEGEND:**

A	Water Manifold
B	Turbocharger
C	Intake Manifold
D	Aftercooler Assembly
E	Exhaust Elbow

**Remove Cylinder Head Components**

Remove water manifold (A) and all coolant piping. (See Cooling System, Group 25.)

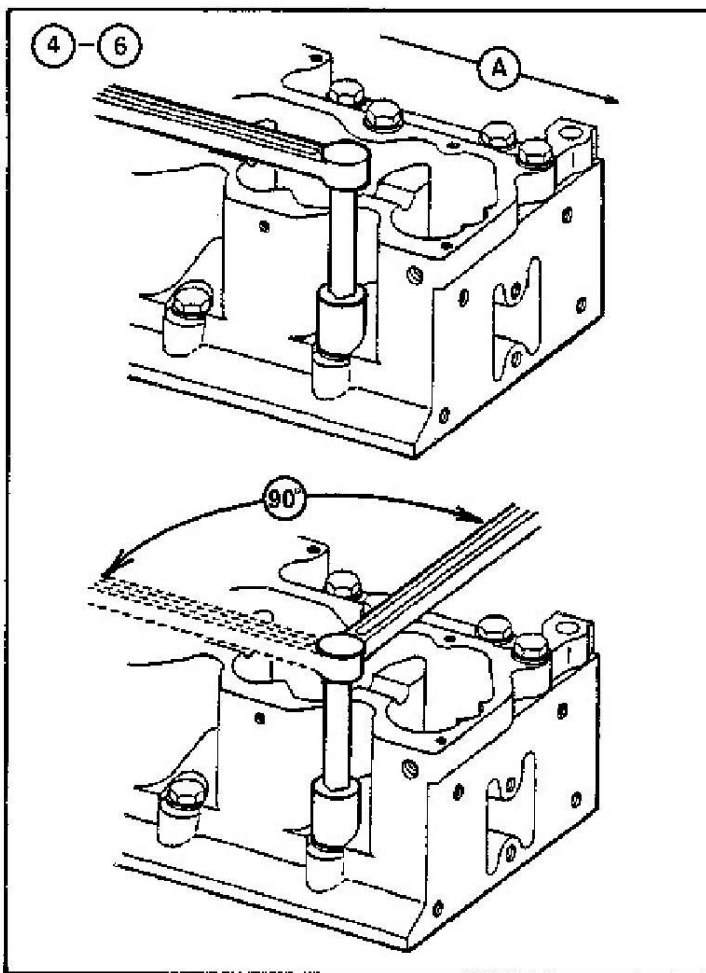
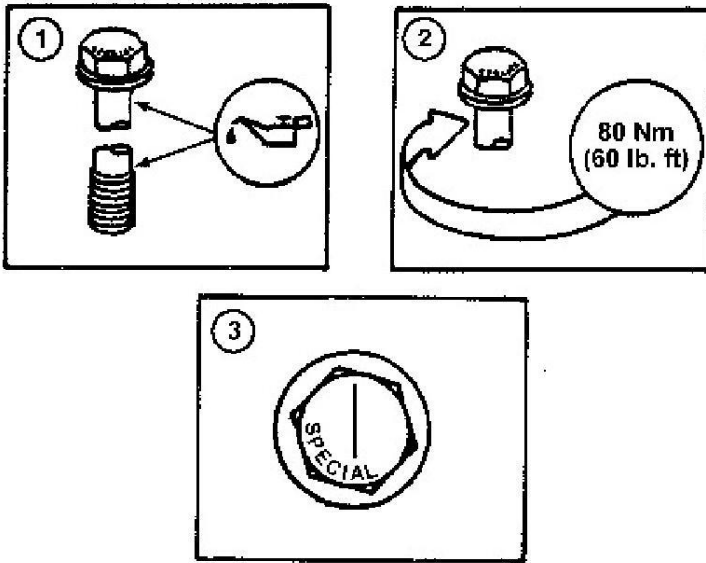
**[3]** - Remove turbocharger (B) and exhaust elbow (E). (See Air Intake and Exhaust System, Group 30.)

**[4]** - On 6076A Engines, remove aftercooler assembly (D).

**[5]** -

**→NOTE:**

**Remove exhaust manifold before removing intake manifold on 6076HRW33, 34, and 35 engines.**



RG7139

**TORQUE-TO-Yield Method**

Arrow (A) points toward front of engine.

**IMPORTANT:**

**DO NOT use multi-viscosity oils to lubricate cap screws.**

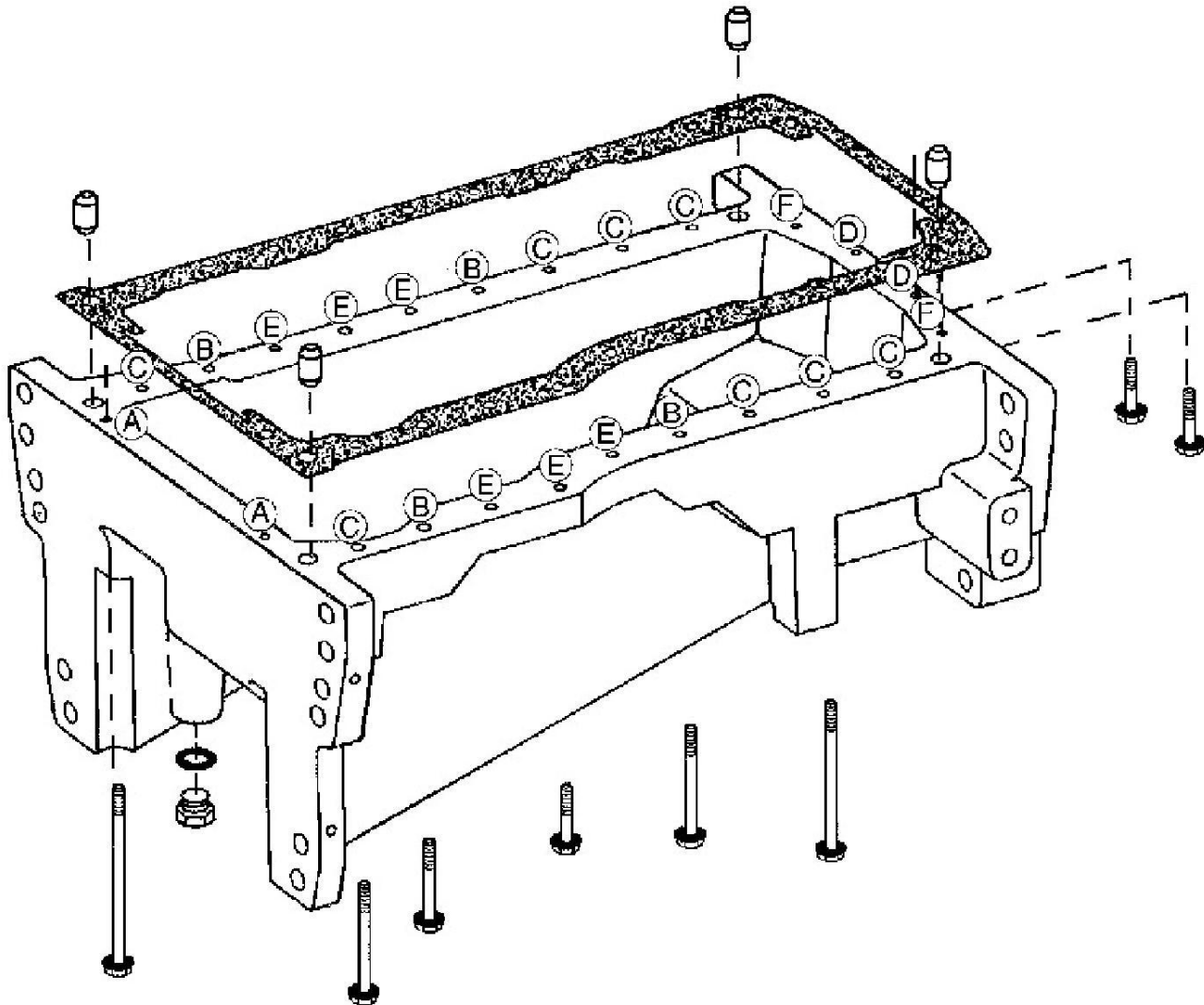
[1] - Lubricate cap screws with clean SAE30 engine oil and install in their proper locations as outlined previously.

[2] - Tighten cap screw No. 17 to 80 N-m (60 lb-ft). Sequentially (start at cap screw No. 1 and proceed through cap screw No.

## →NOTE:

On engine equipped with elbow fittings and drain hose, the threads and sealing surfaces must be free of any oil film to insure an effective seal. Apply a light coat of LOCTITE™ 592 to fittings except for the leading one to three threads. Tighten fittings securely.

## Tighten Cap Screws on Front Frame/Oil Sump



### Front Frame/Oil Sump Cap Screw Location

#### LEGEND:

A	0.375 x 7.625 in. (2 used)
B	0.500 x 4.000 in. (4 used)
C	0.500 x 6.000 in. (8 used)
D	0.375 x 2.500 in. (2 used)
E	0.500 x 2.500 in. (6 used)
F	0.375 x 1.875 in. (2 used)

[1] - Be sure dowel pins are in place.

[2] -

#### IMPORTANT:

**DO NOT** apply gasket sealant to gasket, front frame/oil sump, trimmed edges of timing gear cover gasket, oil seal housing gasket, or cylinder block mating surfaces. Before installing engine, be sure mating surfaces of engine and front frame/oil sump are clean.

Install front frame/oil sump-to-cylinder block gasket.

# CTM42 - John Deere - Powertech Series 400 6076 Diesel Engines Component Technical Manual

Illustrated Factory Technical Manual for John Deere 6076 Diesel Engines Series 400 This manual contains high quality images, diagrams, instructions to help you to operate, maintenance, diagnostic, and repair your truck. This document is printable, without restrictions, contains searchable text, bookmarks, crosslinks for easy navigation. Language: English Format: PDF, 386 pages Covered models (SN. 500000-): 6076ADW30, 6076ADW31, 6076ADW32, 6076ADW33 6076AF030, 6076AFM030 6076AN030, 6076AN031 6076AT030, 6076AT032 6076AZ031, 6076AZ030 6076HF030 6076HH030, 6076HH031, 6076HH032 6076HRW33, 6076HRW34, 6076HRW35, 6076HRW30, 6076HRW32 6076HZ030 6076TDW30 6076TF030 6076TRW31, 6076TRW30



Thank you very much  
for your reading.  
Please click here  
to get more information.