

John Deere 200G Excavator Operation & Test Technical Manual (TM14375X19)

200G Excavator Diagnostic

PIN: 1F9200GX_ _D020101—



JOHN HARE



COLLECTION

OPERATION & TEST TECHNICAL MANUAL

200G Excavator (PIN: 1F9200GX_ _D020101—)

TM14375X19 30NOV19 (ENGLISH)

For complete service information also see:

200G Excavator Repair tm14375X19
PowerTech 4.5L & 5.8L Diesel Engines Tier 1/Stage I, Tier
2/Stage II, Tier 3/Stage IIA, Tier 3/Stage IIA Tier 3/Stage II,
(Base Engine) ctm1C4
PowerTech E 4.5 and 5.8L Diesel Engines
Electronic Fuel System With C2



Worldwide Construction and
Forestry Division

Covers: 200G,1F9200GX_ _D020101 (???)

Type: Service Manual

Language: English

Pages: 579

Format: PDF

Features: Bookmarked, searchable, printable

Compatibility: Windows/Mac/Tablet/Mobile

This service manual contains important information for the maintenance, troubleshooting and servicing of the **John Deere 200G Excavator Operation & Test Technical Manual (TM14375X19)**

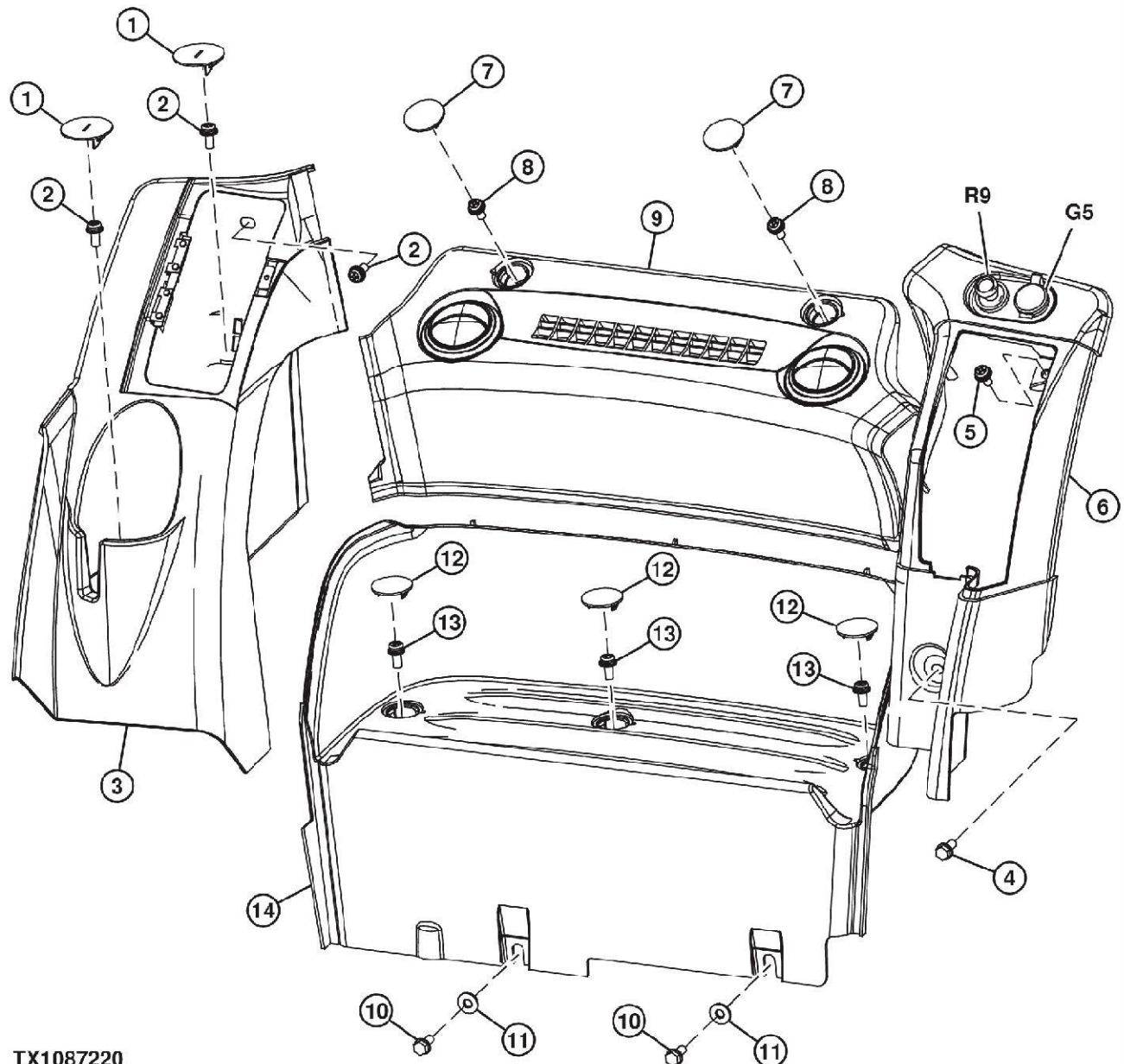
In this manual you will find detailed specifications, illustrations, schematics, diagrams and step-by-step procedures to properly service and diagnose the machine to the manufacturer's standards.

Contents:

- General Information
- Specifications
- Serial Number Location
- Engine Specifications
- Engine Diagnostics
- Engine Tests and Adjustments
- Engine Repair
- Power Train
- Transmission
- Axles
- Differential
- PTO
- Hydraulic System
- Electrical System
- Electrical Tests and Diagnostics
- Wiring Diagram / Schematic
- Ignition and Charging
- Steering
- Brakes
- Wheels
- Operator's Platform
- Body Panels
- Disassembly and Assembly
- Diagnostics, Tests and Adjustments
- Troubleshooting
- and much more...

Please note this manual is in **downloadable PDF format only**. If you have any questions about this product or would like to request sample pages, please contact us and reference the product name or SKU.

Rear Cover Remove and Install



1. TX1087220

TX1087220-UN: Rear Cover Assembly

LEGEND:

1-Plug (2 used)

2-Cap Screw (3 used)

3-Right Cover

4-Cap Screw

5-Cap Screw

6-Left Cover

7-Plug (2 used)

8-Cap Screw (2 used)

9-Upper Rear Cover

10-Cap Screw (2 used)

11-Washer (2 used)

12-Plug (3 used)

13-Cap Screw (3 used)

14-Lower Rear Cover


G5-12 Volt Power Outlet

R9-Lighter

Park and prepare machine for service safely. [See Park and Prepare for Service Safely](#). (Group 9000-01.)

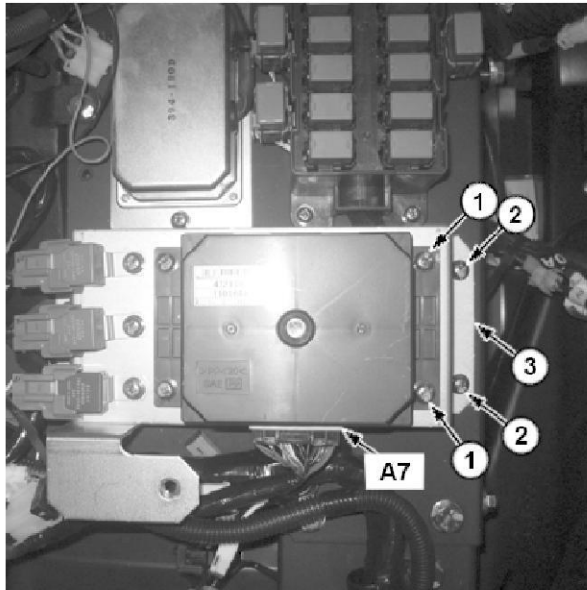
2. Remove plugs (1) and cap screws (2).
3. Remove right cover (3).
4. Remove cap screws (4 and 5).
5. Tag and disconnect lighter (R9) and 12 volt power outlet (G5) from cab harness and remove left cover (6).
6. Remove plugs (7) and cap screws (8).
7. Remove upper rear cover (9).
8. Remove plugs (12) and cap screws and washers (10, 11 and 13).

Machine Controller (BCZ) Remove and Install

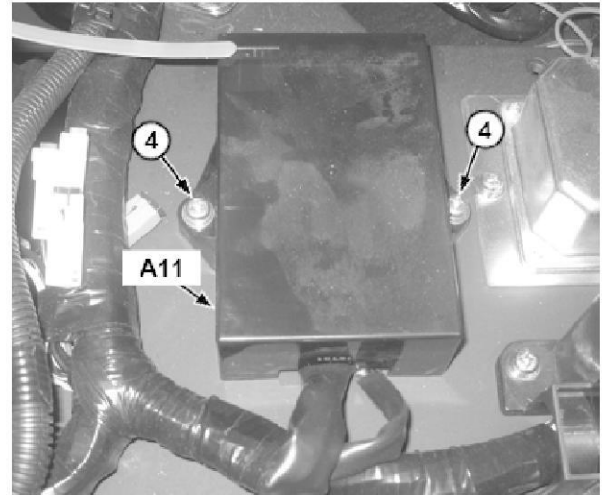
-  **CAUTION:**
Do not install controller from another machine. Machine data will be incorrect and machine may not operate correctly.

Park and prepare machine for service safely. [See Park and Prepare for Service Safely.](#) (Group 9000-01.)

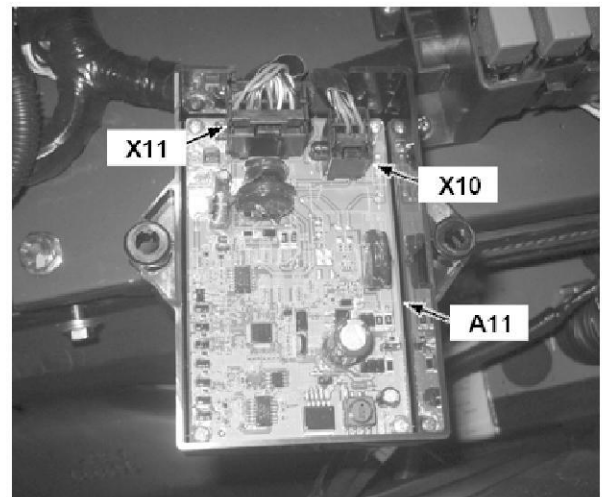
- Disconnect battery negative (-) cable.
- Remove rear cover. [See Rear Cover Remove and Install.](#) (Group 9015-20.)



- TX1113807A-JN: Air Conditioner Controller
LEGEND:
1-Screw (4 used)
2-Screw (4 used)
3-Bracket
A7-Air Conditioner Controller (ACF)
Disconnect air conditioner controller (ACF) connector (A7). [See Heater and Air Conditioner Harness \(W41\) Component Location.](#) (Group 9015-10.)
- Remove screws (1) and ACF.
- Remove screws (2) and bracket (3).



- TX11C7713A JN: Machine Controller (BCZ)
LEGEND:
4-Screw (2 used)
A11-Machine Controller (BCZ)
Remove screws (4) and lift up machine controller (BCZ) (A11).



- TX11C7711A-UN: Machine Controller (BCZ)
LEGEND:
A11-Machine Controller (BCZ)
X10-Machine Controller 8-Pin Connector A
X11-Machine Controller 20-Pin Connector B
Disconnect electrical connectors; machine controller 8-pin connector A (X10) and machine controller 20-pin connector B (X11).
- Remove machine controller.
- Repair or replace as necessary.
- Connect electrical connectors and install machine controller and screws.
- Install bracket and screws.
- Install air conditioner controller (ACF) (A7) and screws.
- Connect air conditioner controller 40-pin connector (A7).
- Install rear cover. [See Rear Cover Remove and Install.](#) (Group 9015-20.)
- Connect battery negative (-) cable.

MM1626Z-00029D7-19-20130709



Thank you very much
for your reading.
Please click here
to get more information.