

# John Deere 310L EP Backhoe Loader Operation & Test Technical Manual - TM14311X19

## 310L EP Backhoe Loader Diagnostic

(PIN: 1T0310EL\_\_G329328—390995)



JOHN HARE



COLLECTION

### OPERATION & TEST TECHNICAL MANUAL

**310L EP Backhoe Loader**  
(PIN: 1T0310EL\_\_G329328—390995)

TM14311X19 01DEC18 (ENGLISH)

For complete service information also see:

310L EP Backhoe Loader Repair ..... TM14312X19  
4TNV98C and 4TNV98CT Diesel Engines (Final Tier 4/  
Stage IV platform) Technical Manual ..... ctm120319  
JDLink™ 2G / 3G MTG Technical Manual ..... 14519  
TeamMate IV 1400 Series Inbo ..... 14519  
Hydraulic Cylinders..... 14519



Worldwide Construction and Forestry Division

Covers: 310L,1T0310EL\_\_,G329328 390995)

**Type:** Service Manual

**Language:** English

**Pages:** 637

**Format:** PDF

**Features:** Bookmarked, searchable, printable

**Compatibility:** Windows/Mac/Tablet/Mobile

This service manual contains important information for the maintenance, troubleshooting and servicing of the **John Deere 310L EP Backhoe Loader Operation & Test Technical Manual - TM14311X19**

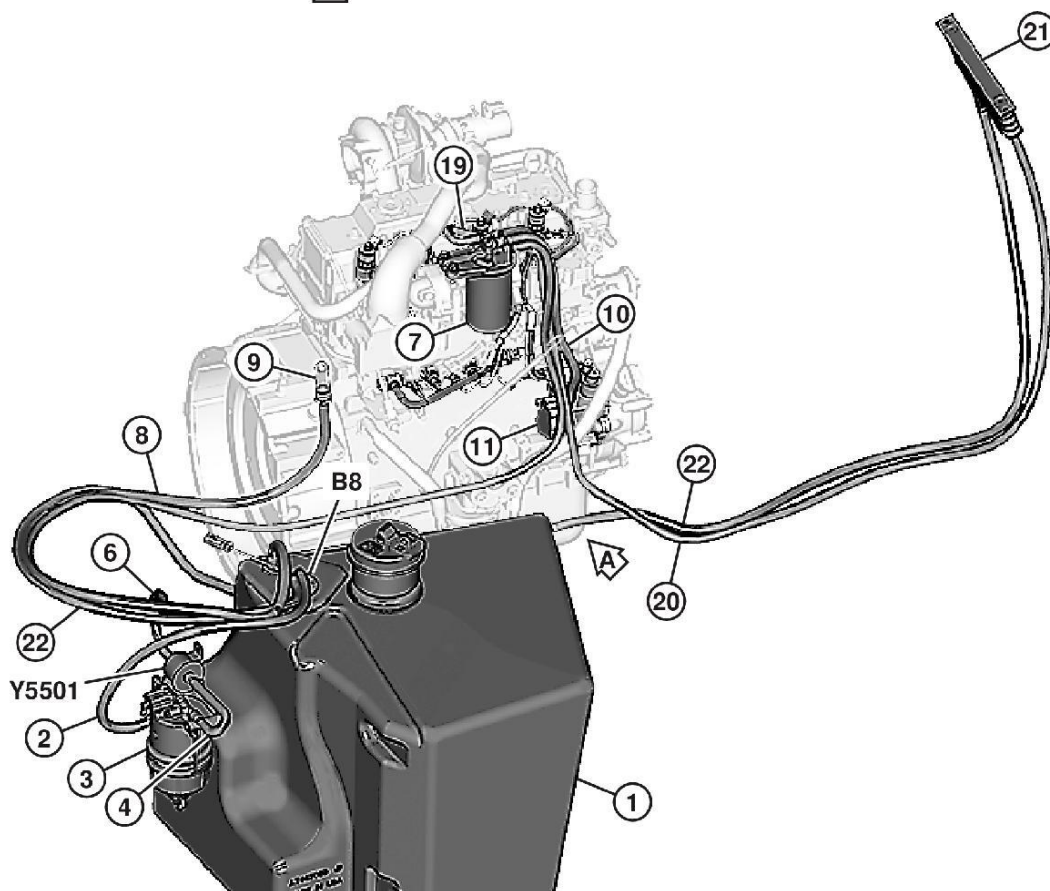
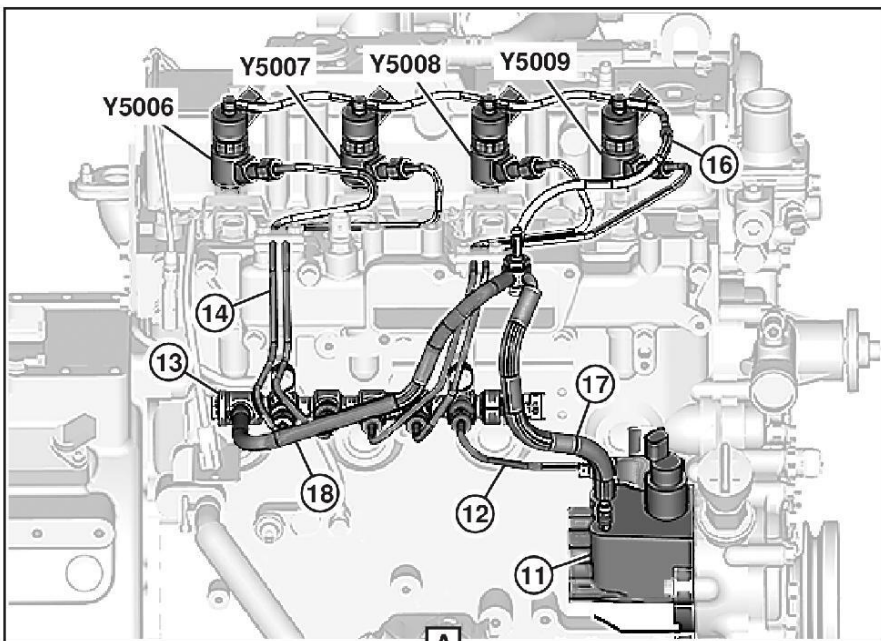
In this manual you will find detailed specifications, illustrations, schematics, diagrams and step-by-step procedures to properly service and diagnose the machine to the manufacturer's standards.

**Contents:**

- General Information
- Specifications
- Serial Number Location
- Engine Specifications
- Engine Diagnostics
- Engine Tests and Adjustments
- Engine Repair
- Power Train
- Transmission
- Axles
- Differential
- PTO
- Hydraulic System
- Electrical System
- Electrical Tests and Diagnostics
- Wiring Diagram / Schematic
- Ignition and Charging
- Steering
- Brakes
- Wheels
- Operator's Platform
- Body Panels
- Disassembly and Assembly
- Diagnostics, Tests and Adjustments
- Troubleshooting
- and much more...

Please note this manual is in **downloadable PDF format only**. If you have any questions about this product or would like to request sample pages, please contact us and reference the product name or SKU.

### Engine Fuel System Component Location



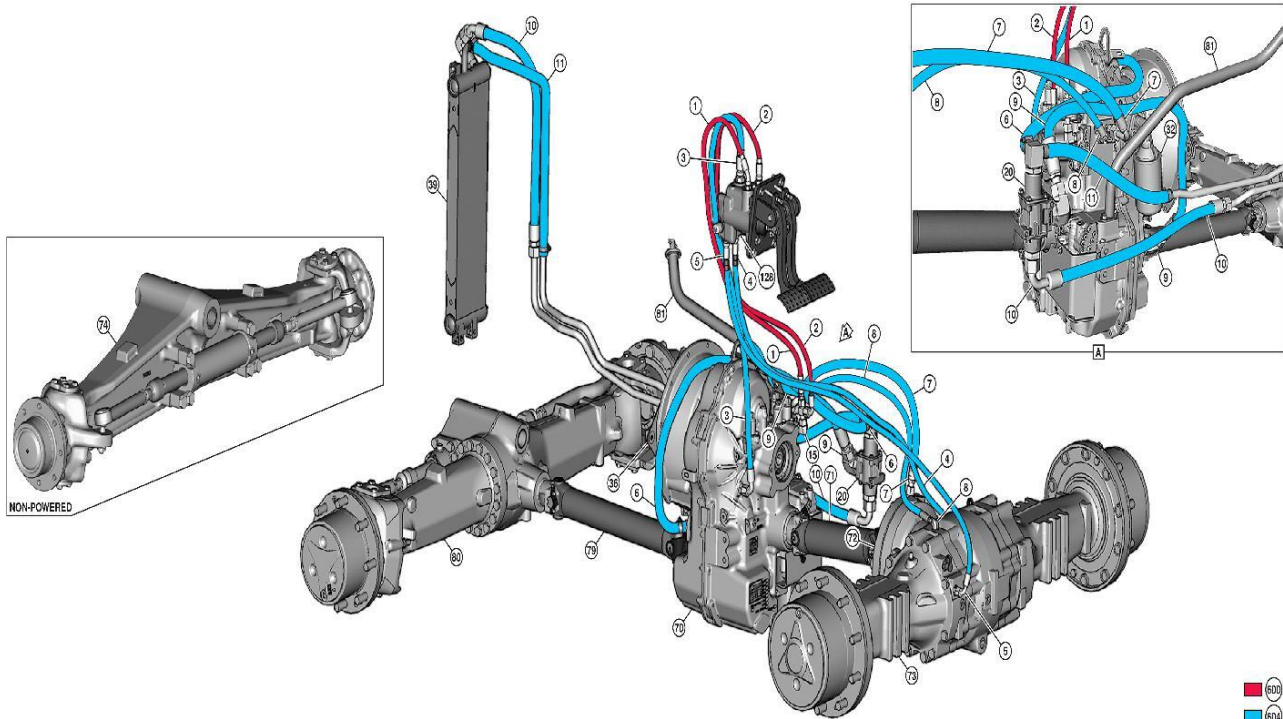
TX1248804

TX1248804-UN: Engine Fuel System Component Location

**LEGEND:**

- |  |   |   |
|--|---|---|
| 1-Fuel Tank  | 9-Fuel Tank Breather  | 17-High-Pressure Fuel Pump Leak-Off Hose          |
| 2-Fuel Tank-to-Primary Fuel Filter Supply Hose       | 10-Final Fuel Filter-to-High-Pressure Fuel Pump                           | 18-High-Pressure Common Rail (HPCR) Leak-Off Hose |
| 3-Primary Fuel Filter                                | 11-High-Pressure Fuel Pump  | 19-Final Fuel Filter Leak-Off Hose                |
| 4-Primary Fuel Filter-to-Low-Pressure Fuel Pump Hose | 12-High-Pressure Fuel Pump-to-High-Pressure Common Rail (HPCR) Line       | 20-Final Fuel Filter-to-Fuel Cooler Hose          |
| 6-Low-Pressure Fuel Pump-to-Final Fuel Filter Hose   | 13-High-Pressure Common Rail (HPCR)                                       | 21-Fuel Cooler                                    |
| 7-Final Fuel Filter                                  | 14-High-Pressure Common Rail (HPCR)-to-Fuel Injector Supply Line (4 used) | 22-Fuel Cooler-to-Fuel Tank Return Hose           |
| 8-Fuel Tank Breather Hose                            | 16-Fuel Injector Leak-Off Hose (4 used)                                   | B8-Fuel Level Sensor                              |
|  |   | Y5006-Electronic Fuel Injector (cylinder 1)       |
|  |   | Y5007-Electronic Fuel Injector (cylinder 2)       |

**Power Train Component Location**



TX1251493

TX1251493-UN: Power Train Component Location

**LEGEND:**

- |   |  |  |
|---|--|--|
| 1-Transmission-to-Service Brake Valve Line          | 10-Thermo Bypass Valve-to-Transmission Oil Cooler Line | 73-Rear Axle   |
| 2-Transmission-to-Service Brake Valve Line          | 11-Transmission Oil Cooler-to-Thermo Bypass Valve Line | 74-Front Axle (non-powered)                                      |
| 3-Park Brake Valve Case Drain Line                  | 15-Orifice Tee Fitting                                 | 79-Mechanical Front Wheel Drive (MFWD) Drive Shaft (if equipped) |
| 4-Service Brake Valve-to-Service Brake Line         | 20-Thermo Bypass Valve                                 | 80-Mechanical Front Wheel Drive (MFWD) Axle (if equipped)        |
| 5-Service Brake Valve-to-Service Brake Line         | 32-Transmission Oil Filter                             | 81-Transmission Dipstick   |
| 6-Transmission-to-Thermo Bypass Valve Line          | 36-Torque Converter                                    | 128-Power Boost Brake Valve                                      |
| 7-Park Brake Valve-to-Transmission Line             | 39-Transmission Oil Cooler                             | 600-High-Pressure Oil  |
| 8-Differential Lock Valve-to-Differential Lock Line | 70-Transmission  | 604-Return Oil   |
| 9-Thermo Bypass Valve-to-Transmission Line          | 71-Drive Shaft (rear)                                  |  |
|   | 72-Park Brake Housing                                  |  |

MM16284,0002686-19-20180221



Thank you very much  
for your reading.  
Please click here  
to get more information.