

John Deere 544L 4WD Loader Diagnostic Technical Manual - TM14342X19

544L 4WD Loader Diagnostic

PIN: 1DW544L___693054—



JOHN HARE



COLLECTION

DIAGNOSTIC TECHNICAL MANUAL

544L 4WD Loader (PIN: 1DW544L___F693054—)

TM14342X19 30NOV19 (ENGLISH)

For complete service information also see:

PowerTech 6088 OEM Diesel Engines (Final Tier 4/Stage IV platform) Level 33 ECU ctm120019
544L 4WD Loader Repair..... TM14345X19
TeamMate™ IV 1200 Series Inboard Planetary Axles ctm140119



Worldwide Construction and Forestry Division

Covers: 544L,1DW544L___F693054(???)

Type: Service Manual

Language: English

Pages: 1010

Format: PDF

Features: Bookmarked, searchable, printable

Compatibility: Windows/Mac/Tablet/Mobile

This service manual contains important information for the maintenance, troubleshooting and servicing of the **John Deere 544L 4WD Loader Diagnostic Technical Manual - TM14342X19**

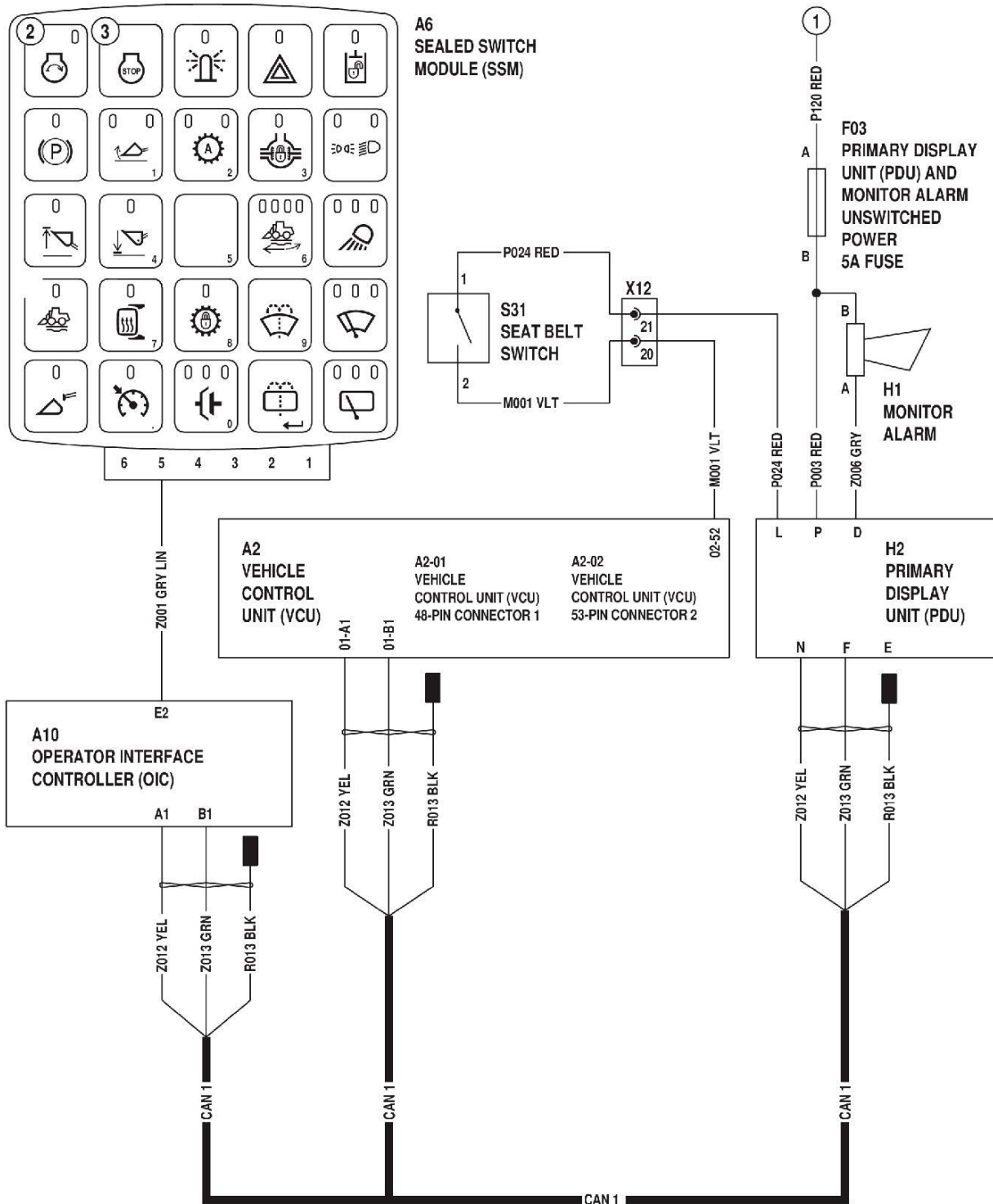
In this manual you will find detailed specifications, illustrations, schematics, diagrams and step-by-step procedures to properly service and diagnose the machine to the manufacturer's standards.

Contents:

- General Information
- Specifications
- Serial Number Location
- Engine Specifications
- Engine Diagnostics
- Engine Tests and Adjustments
- Engine Repair
- Power Train
- Transmission
- Axles
- Differential
- PTO
- Hydraulic System
- Electrical System
- Electrical Tests and Diagnostics
- Wiring Diagram / Schematic
- Ignition and Charging
- Steering
- Brakes
- Wheels
- Operator's Platform
- Body Panels
- Disassembly and Assembly
- Diagnostics, Tests and Adjustments
- Troubleshooting
- and much more...

Please note this manual is in **downloadable PDF format only**. If you have any questions about this product or would like to request sample pages, please contact us and reference the product name or SKU.

Seat Belt Minder Theory of Operation



TX1268485

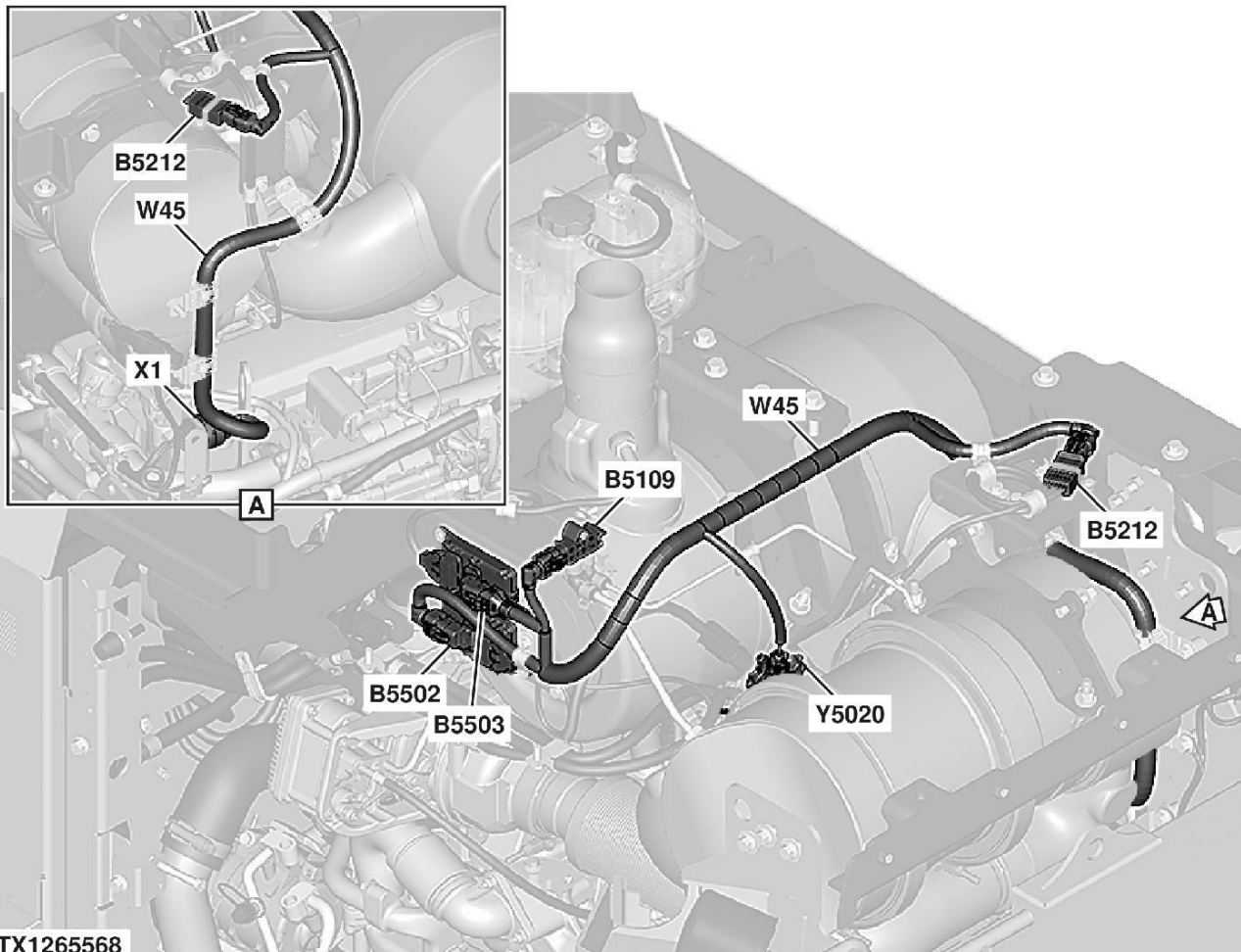
TX1268485-UN: Seat Belt Minder Circuit Schematic

LEGEND:

- 1-Unswitched Power
- 2-Engine Start Switch
- 3-Engine Stop Switch
- A2-Vehicle Control Unit (VCU)
- A2-01-Vehicle Control Unit (VCU) 48-Pin Connector 1
- A2-02-Vehicle Control Unit (VCU) 53-Pin Connector 2
- A10-Operator Interface Controller (OIC)
- F03-Primary Display Unit (PDU) and Monitor Alarm Unswitched Power 5 A Fuse
- H1-Monitor Alarm
- H2-Primary Display Unit (PDU)
- S31-Seat Belt Switch
- X12-Load Center Harness-to-Right-Hand Armrest Controls Harness 31-Pin Connector

When the engine start switch (2) is pressed and held to start the engine, a signal is sent from the sealed switch module (SSM) (A6) to the operator interface controller (OIC) (A10) via the local interconnect network (LIN) line. The OIC forwards the signal to the primary

Aftertreatment Harness (W45) Component Location



TX1265568

TX1265568-UN: Aftertreatment Harness (W45) Component Location

LEGEND:

- | | | |
|---|---|--|
| B5109-Diesel Particulate Filter (DPF) Differential Pressure Sensor | B5502-Aftertreatment Inlet NOx Sensor | X1-Aftertreatment Harness-to-Hydraulic Reservoir Harness 23-Pin Connector |
| B5212-Selective Catalyst Reduction (SCR) Temperature Module | B5503-Aftertreatment Outlet NOx Sensor | W45-Aftertreatment Harness |
| | | Y5020-Diesel Exhaust Fluid (DEF) Dosing Injector |

AB82264,0000085-19-20181018



Thank you very much
for your reading.
Please click here
to get more information.