

John Deere 640L-II, 648L-II and 748L-II Skidders Repair Technical Manual (TM14338X19)

640L-II, 648L-II and 748L-II Skidders Repair

PIN: 1DW640L__C690814—

PIN: 1DW640L__D690814—

PIN: 1DW648L__C690814—

PIN: 1DW648L__D690814—

PIN: 1DW748L__C690814—



JOHN HARE



COLLECTION

REPAIR TECHNICAL MANUAL

640L-II, 648L-II and 748L-II Skidders

(PIN: 1DW640L__C690814—; PIN: 1DW640L__D690814—;

PIN: 1DW648L__C690814—; PIN: 1DW648L__D690814—;

PIN: 1DW748L__C690814—)

14338X19 30NOV19 (ENGLISH)

PDF  **DOWNLOAD** 

For complete service information

TeamWarc V 1400 Series Inboard Planes	dm129419
TEAMMATE V1700 Series Outboard Planes	dm129419
640L-II, 648L-II and 748L-II Skidders Diagnostic	TM14338X19
PowerTech 4.6L & 5.8L Diesel Engines Tier 1/Stage I, Tier 2/Stage II, Tier 3/Stage IIIA, Tier 3/Stage IAA, Tier 3/Stage IAB, Tier 3/Stage IAC, (Base Engines)	dm1104
PowerTech 404E, 506E Diesel Engine Level 14 Electronic Fuel System with the Denso High Pressure Common Rail (HPCR) Level 14 LCU	dm220
Hydraulic Cylinders	dm120319
35 and 3000 Winches	dm41

Worldwide Construction and
Forestry Division

Covers: 640L-II, 1DW640L__C690814; 1DW640L__D690814

Type: Service Manual

Language: English

Pages: 356

Format: PDF

Features: Bookmarked, searchable, printable

Compatibility: Windows/Mac/Tablet/Mobile

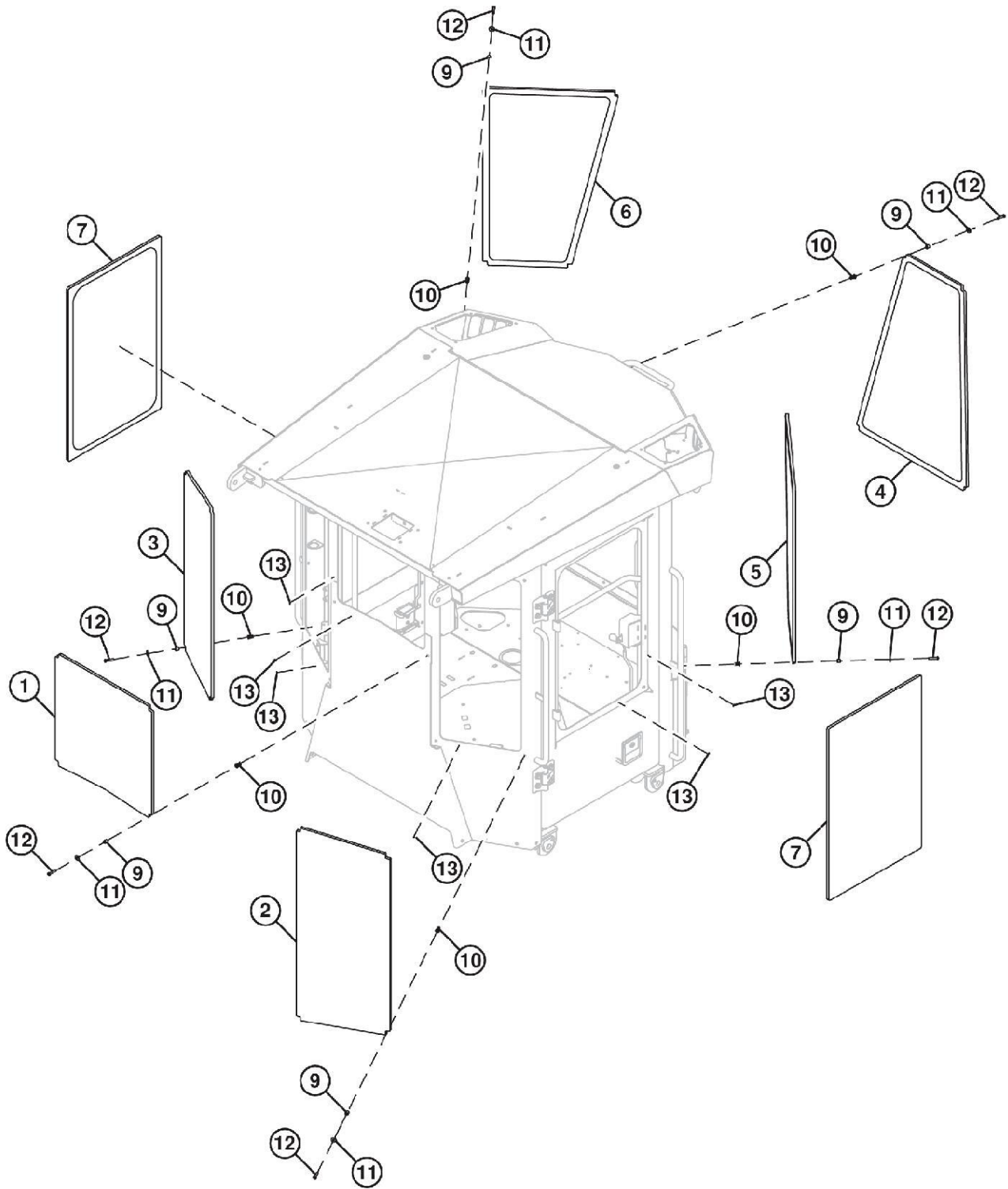
This service manual contains important information for the maintenance, troubleshooting and servicing of the **John Deere 640L-II, 648L-II and 748L-II Skidders Repair Technical Manual (TM14338X19)**

In this manual you will find detailed specifications, illustrations, schematics, diagrams and step-by-step procedures to properly service and diagnose the machine to the manufacturer's standards.

Contents:

- General Information
- Specifications
- Serial Number Location
- Engine Specifications
- Engine Diagnostics
- Engine Tests and Adjustments
- Engine Repair
- Power Train
- Transmission
- Axles
- Differential
- PTO
- Hydraulic System
- Electrical System
- Electrical Tests and Diagnostics
- Wiring Diagram / Schematic
- Ignition and Charging
- Steering
- Brakes
- Wheels
- Operator's Platform
- Body Panels
- Disassembly and Assembly
- Diagnostics, Tests and Adjustments
- Troubleshooting
- and much more...

Please note this manual is in **downloadable PDF format only**. If you have any questions about this product or would like to request sample pages, please contact us and reference the product name or SKU.



TX1189458

TX1189458-UN: Cab and Door Windows

LEGEND:

- 1-Engine Side Windowpane (center)
- 2-Engine Side Windowpane (side)
- 3-Engine Side Windowpane (side)
- 4-Implement Side Windowpane (center)
- 5-Implement Side Windowpane (side)

- 6-Implement Side Windowpane (side)
- 7-Door Fixed Windowpane (if equipped, 2 used)
- 9-Spacer (24 used)
- 10-Nut (24 used)

- 11-Washer (24 used)
- 12-Cap Screw (24 used)
- 13-Standoff (78 used)



d. TX1190939A-UN: Lever Steering Armrest (bottom covers removed)

LEGEND:

25-Gas Strut Bottom Pivot

26-Cap Screw (2 used)

Disconnect gas strut bottom pivot (25) and pull seat wiring harness out of lever steering armrest.

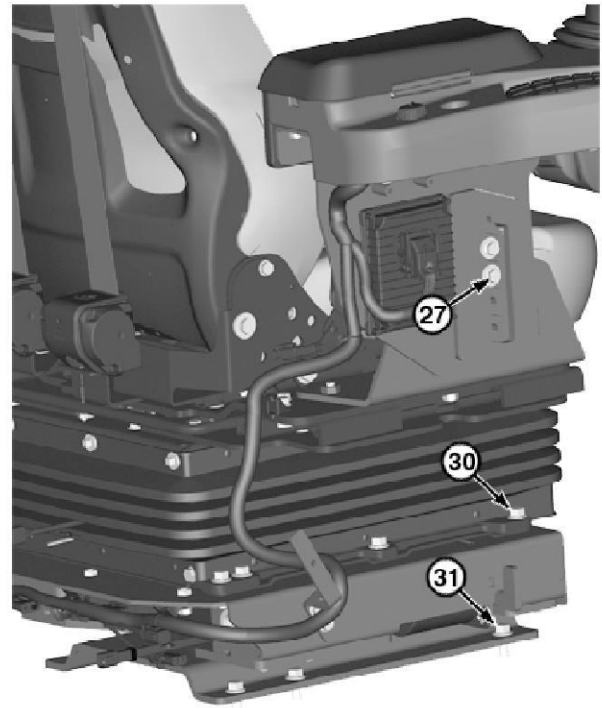
e. Remove cap screws (26) and remove lever steering armrest.

4. **NOTE:**

Do not disconnect seat wiring harness from devices located on or within right armrest for simplified seat removal and installation.

Disconnect seat wiring harness from all electrical connections except those located on or within right armrest. See Lever Steer Seat Harness (W10) Component Location - document TM14337X19 - (Group 9015-10.)

5. Remove all cable ties and clamps holding seat wiring harness to seat.



6. TX11E0942A-JN: Deluxe High-Back Seat and Right Armrest

LEGEND:

27-Cap Screw (2 used)

30-Cap Screw (8 used)

31-Cap Screw (5 used)

Remove cap screws (27) and remove right armrest with seat wiring harness attached.

7. Remove cap screws (30) from rotating seat base.



8. **CAUTION:**
Prevent possible crushing injury from heavy component. Use appropriate lifting device.

Remove seat using appropriate lifting device.

Item	Measurement	Specification
Deluxe High-Back Seat	Weight (approximate)	123 kg
		271 lb.

9. If necessary to remove rotating seat base:

a. Disconnect seat interface harness from cab wiring harness. See Seat Interface Harness (W9) Component Location - document TM14337X19 - (Group 9015-10.)



b. **CAUTION:**
Prevent possible crushing injury from heavy component. Use appropriate lifting device.

Remove cap screws (31) and use appropriate lifting device to remove rotating seat base.

Item	Measurement	Specification
Rotating Seat Base	Weight (approximate)	50 kg
		110 lb.

INSTALLATION

Installation is reverse of removal procedure.

DF44647,0000141-19-20150706



Thank you very much
for your reading.
Please click here
to get more information.