

John Deere 824L 4WD Loader Operation & Test Technical Manual - TM14366X19

824L 4WD Loader Operation and Test

PIN: 1DW824L__D697296-



JOHN HARE



COLLECTION

OPERATION & TEST TECHNICAL MANUAL 824L 4WD Loader (PIN: 1DW824L__D697296-)

TM14366X19 30NOV19 (ENGLISH)

For complete service information also see:

6090 Diesel Engine - Level 25 ECU.....	ctm139119
824L 4WD Loader Repair.....	TM14372X19
JDLink™ (MTG) 4G LTE Technical Manual.....	tm143019
TEAMMATE V 1600 Axles.....	tm141719
Hydraulic Cylinders.....	19



Worldwide Construction and
Forestry Division

Covers: 824L,1DW824L__,D697296 ()

Type: Service Manual

Language: English

Pages: 1433

Format: PDF

Features: Bookmarked, searchable, printable

Compatibility: Windows/Mac/Tablet/Mobile

This service manual contains important information for the maintenance, troubleshooting and servicing of the **John Deere 824L 4WD Loader Operation & Test Technical Manual - TM14366X19**

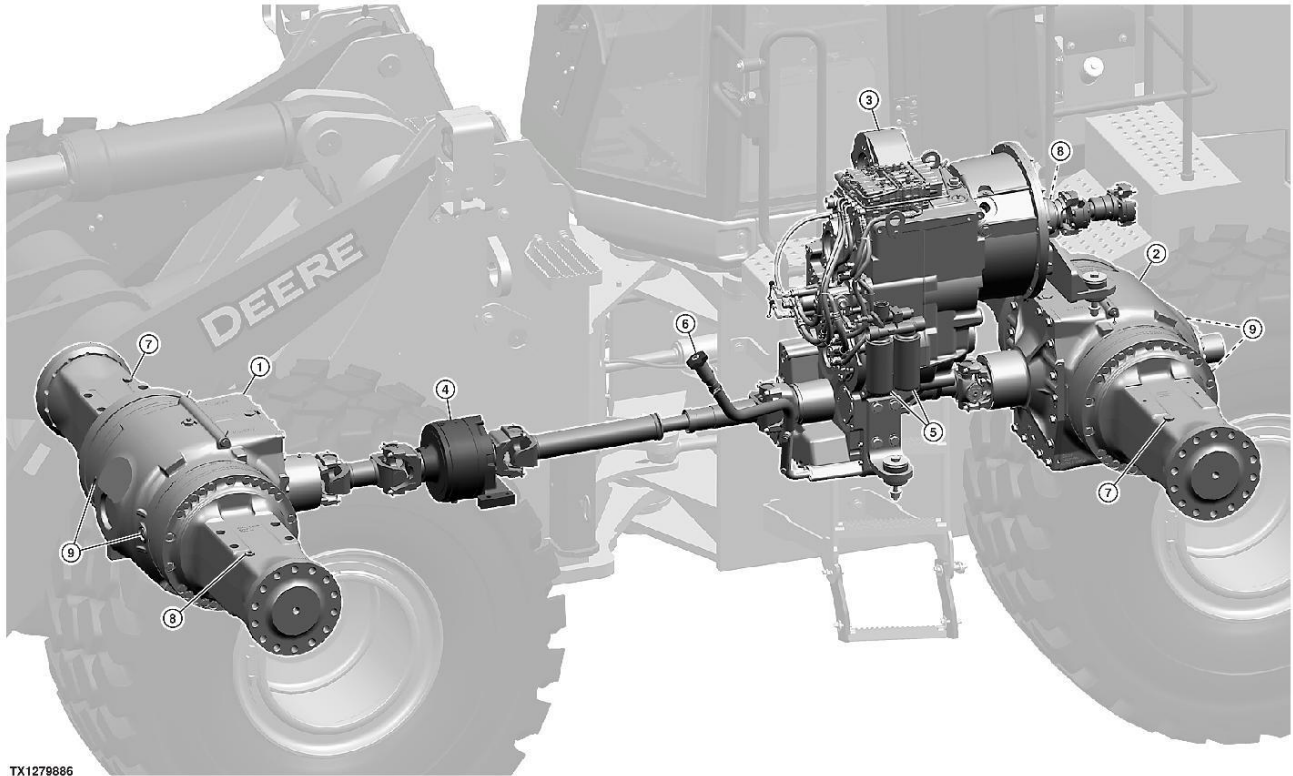
In this manual you will find detailed specifications, illustrations, schematics, diagrams and step-by-step procedures to properly service and diagnose the machine to the manufacturer's standards.

Contents:

- General Information
- Specifications
- Serial Number Location
- Engine Specifications
- Engine Diagnostics
- Engine Tests and Adjustments
- Engine Repair
- Power Train
- Transmission
- Axles
- Differential
- PTO
- Hydraulic System
- Electrical System
- Electrical Tests and Diagnostics
- Wiring Diagram / Schematic
- Ignition and Charging
- Steering
- Brakes
- Wheels
- Operator's Platform
- Body Panels
- Disassembly and Assembly
- Diagnostics, Tests and Adjustments
- Troubleshooting
- and much more...

Please note this manual is in **downloadable PDF format only**. If you have any questions about this product or would like to request sample pages, please contact us and reference the product name or SKU.

Power Train Component Location



TX1279886

TX1279886-UN: Power Train Component Location

LEGEND:

1-Front Axle

2-Rear Axle

3-Transmission

4-Park Brake

5-Transmission Oil Filter (2 used)

6-Transmission Oil Fill Tube

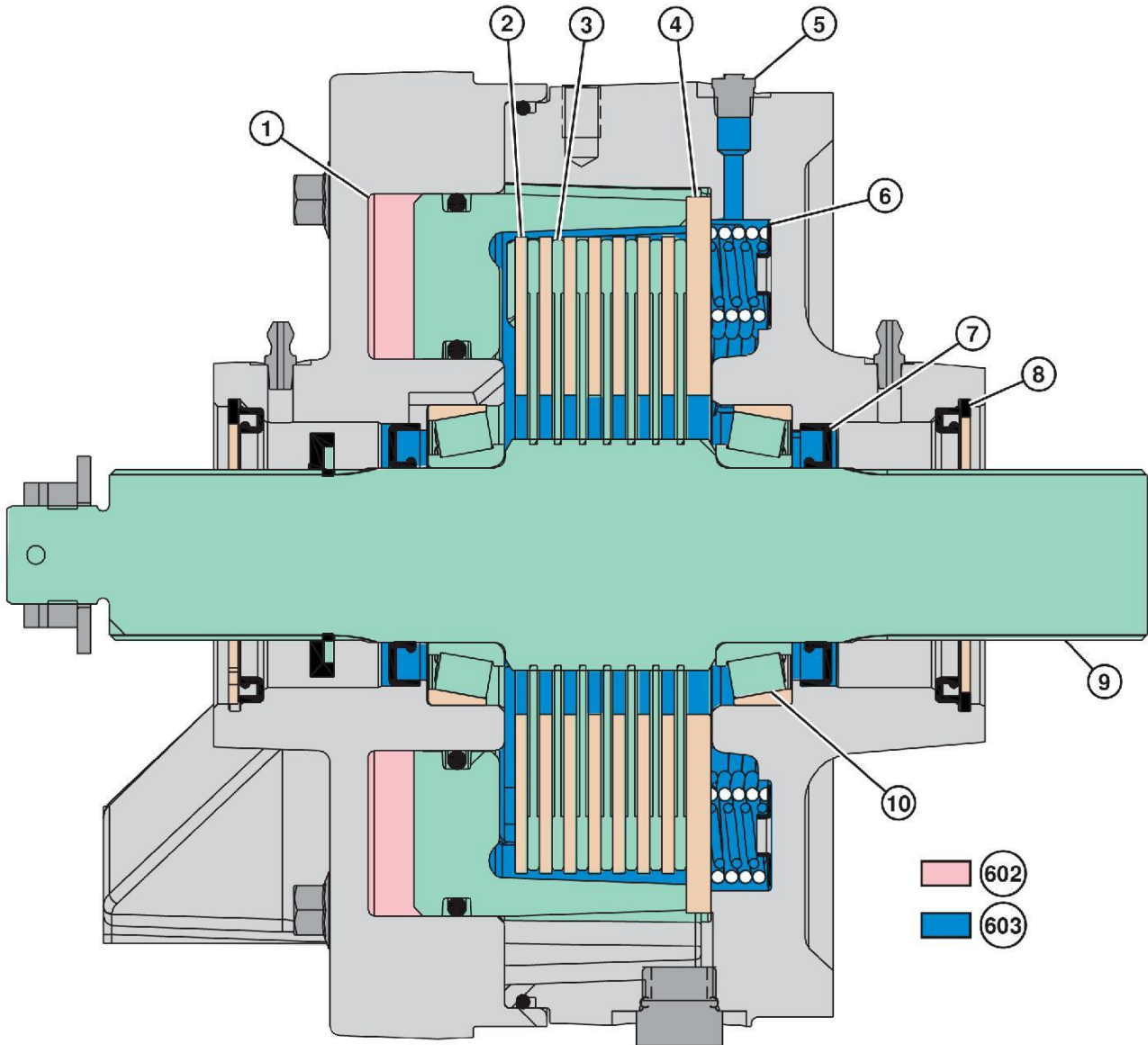
7-Axle Dipstick Plug (2 used)

8-Axle Fill Plug (2 used)

9-Service Brake Inspection Port (4 used)

BE78919,00000B-19-20190619

Park Brake Operation



TX1039356

TX1039356-UN: Park Brake Operation—Park Brake Released

LEGEND:

- 1-Piston
- 2-Separator Plate (7 used)
- 3-Brake Disc (7 used)
- 4-Primary Disc

- 5-Breather
- 6-Spring (46 used)
- 7-Inner Seal (2 used)
- 8-Outer Seal (2 used)

- 9-Shaft
- 10-Bearing (2 used)
- 602-Low-Pressure Oil
- 603-Lubrication Oil

The park brake is a multiple wet-disc type, spring applied, hydraulically released mechanical device. The park brake also serves as the front driveline support bearing.



Thank you very much
for your reading.
Please click here
to get more information.