

# John Deere 844L 4WD Loader Operation & Test Technical Manual - TM14368X19

## 844L 4WD Loader Operation and Test

(PIN: 1DW844L\_\_\_D697296—)



JOHN HARE



COLLECTION

### OPERATION & TEST TECHNICAL MANUAL

#### 844L 4WD Loader

(PIN: 1DW844L\_\_\_D697296—)

TM14368X19 30NOV19 (ENGLISH)

For complete service information also see:

6135 Diesel Engine — Level 32 ECU ..... TM119919  
Hydraulic Cylinders ..... TM14368X19  
JDLink™ (MTG) 4G LTE Technic



Worldwide Construction and  
Forestry Division

Covers: 844L,1DW844L\_\_\_D697296 (7 icons)

**Type:** Service Manual

**Language:** English

**Pages:** 1433

**Format:** PDF

**Features:** Bookmarked, searchable, printable

**Compatibility:** Windows/Mac/Tablet/Mobile

This service manual contains important information for the maintenance, troubleshooting and servicing of the **John Deere 844L 4WD Loader Operation & Test Technical Manual - TM14368X19**

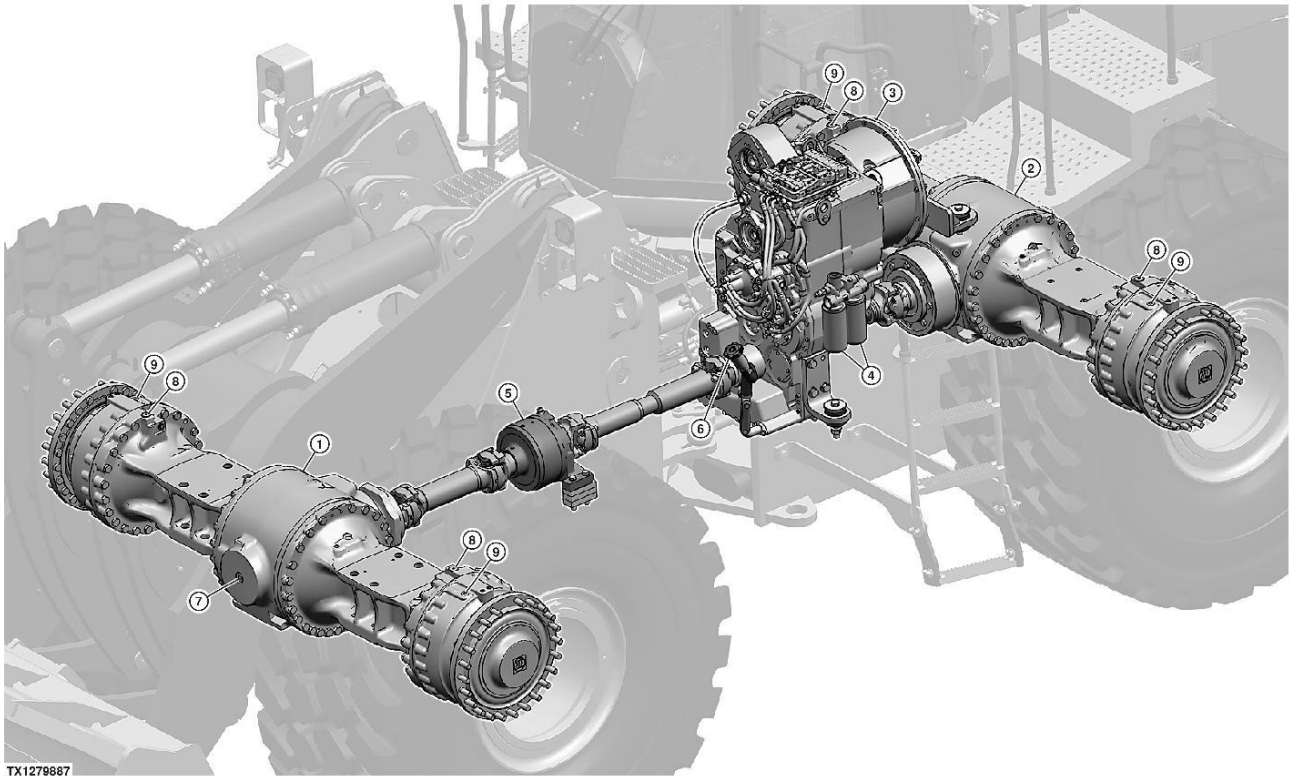
In this manual you will find detailed specifications, illustrations, schematics, diagrams and step-by-step procedures to properly service and diagnose the machine to the manufacturer's standards.

**Contents:**

- General Information
- Specifications
- Serial Number Location
- Engine Specifications
- Engine Diagnostics
- Engine Tests and Adjustments
- Engine Repair
- Power Train
- Transmission
- Axles
- Differential
- PTO
- Hydraulic System
- Electrical System
- Electrical Tests and Diagnostics
- Wiring Diagram / Schematic
- Ignition and Charging
- Steering
- Brakes
- Wheels
- Operator's Platform
- Body Panels
- Disassembly and Assembly
- Diagnostics, Tests and Adjustments
- Troubleshooting
- and much more...

Please note this manual is in **downloadable PDF format only**. If you have any questions about this product or would like to request sample pages, please contact us and reference the product name or SKU.

### Power Train Component Location



TX1279887

TX1279887-UN: Power Train Component Location

**LEGEND:**

**1-Front Axle**

**2-Rear Axle**

**3-Transmission**

**4-Transmission Oil Filter (2 used)**

**5-Park Brake**

**6-Transmission Oil Fill Tube**

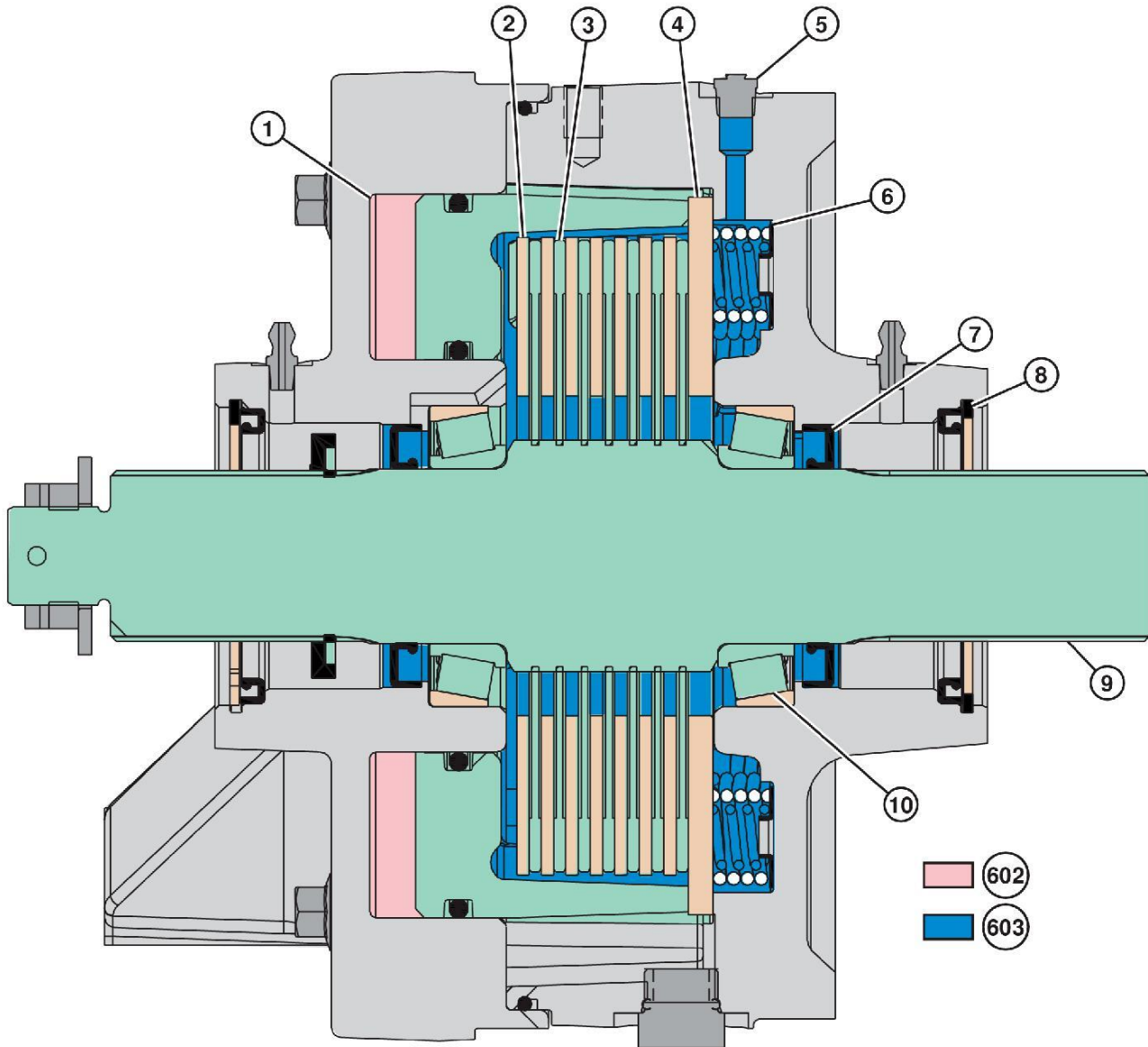
**7-Axle Fill Plug (2 used)**

**8-Axle Dipstick Port (4 used)**

**9-Service Brake Inspection Port (4 used)**

BE78919,000000C-19-20190614

Park Brake Operation



**TX1039356**

TX1039356-UN: Park Brake Operation—Park Brake Released

**LEGEND:**

- 1-Piston
- 2-Separator Plate (7 used)
- 3-Brake Disc (7 used)
- 4-Primary Disc

- 5-Breather
- 6-Spring (46 used)
- 7-Inner Seal (2 used)
- 8-Outer Seal (2 used)

- 9-Shaft
- 10-Bearing (2 used)
- 602-Low-Pressure Oil
- 603-Lubrication Oil

The park brake is a multiple wet-disc type, spring applied, hydraulically released mechanical device. The park brake also serves as the front driveline support bearing.



Thank you very much  
for your reading.  
Please click here  
to get more information.