

John Deere 848L-II, 948L-II Skidders Operation & Test Technical Manual (TM14335X19)

848L-II, 948L-II Skidders Diagnostic

PIN: 1DW848L___F690814—

PIN: 1DW948L___F690814—



JOHN HARE



COLLECTION

OPERATION & TEST TECHNICAL MANUAL

848L-II, 948L-II Skidders

(PIN: 1DW848L___F690814—; PIN: 1DW948L___F690814—)

TM14335X19 30NOV19 (ENGLISH)

For complete service information also see:

609C PowerTech™ CFM Diesel Engines (Final Tier 4/Stage
IV platform) tm117719
JDLink™ (MTG) 4G LTE Technical Manual..... tm142C15
TEAMMATE V1700 Series Outboard Planetary 2..... 129419
848L-I, 948L-I Skidders Rep..... 14335X15
TeamMate V 1400 Series Int.....
40 and 4000 Winches.....
60 and 6000 Winches



Worldwide Construction and
Forestry Division

Covers: 848L-II,1DW848L___F690814(???) ,948L-II,1DW948L___F69

Type: Service Manual

Language: English

Pages: 978

Format: PDF

Features: Bookmarked, searchable, printable

Compatibility: Windows/Mac/Tablet/Mobile

This service manual contains important information for the maintenance, troubleshooting and servicing of the **John Deere 848L-II, 948L-II Skidders Operation & Test Technical Manual (TM14335X19)**

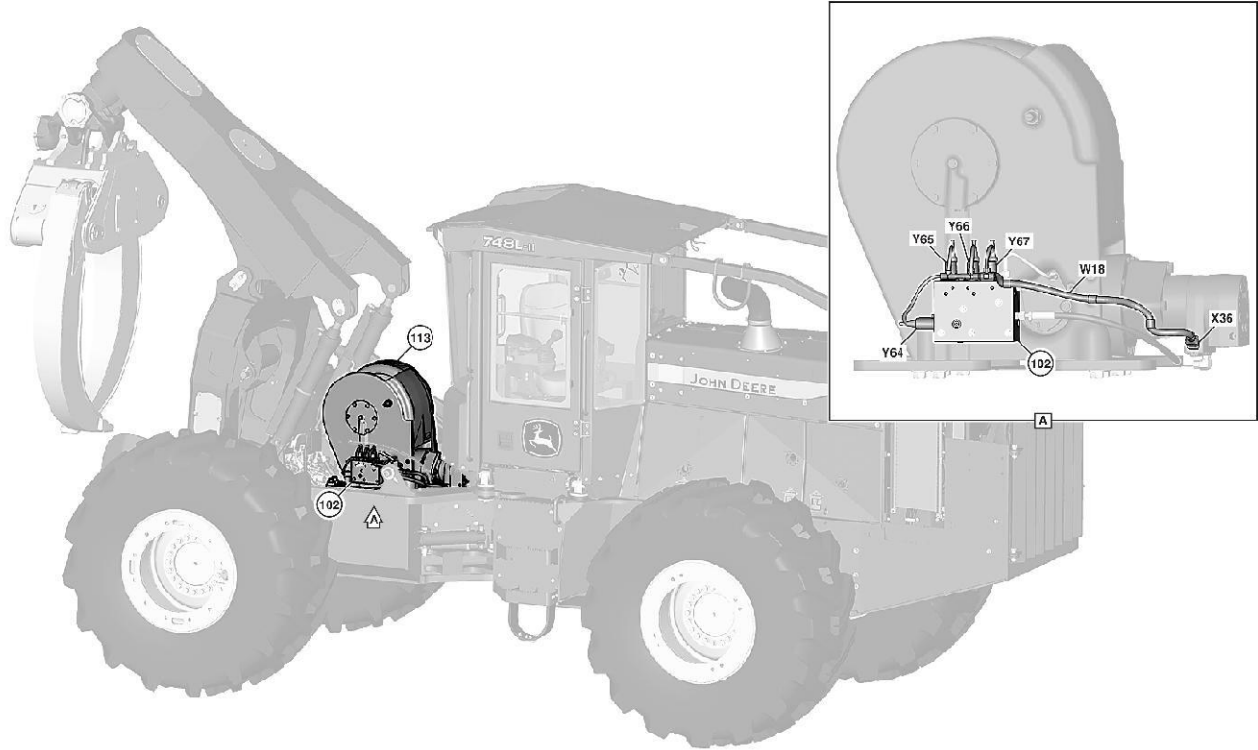
In this manual you will find detailed specifications, illustrations, schematics, diagrams and step-by-step procedures to properly service and diagnose the machine to the manufacturer's standards.

Contents:

- General Information
- Specifications
- Serial Number Location
- Engine Specifications
- Engine Diagnostics
- Engine Tests and Adjustments
- Engine Repair
- Power Train
- Transmission
- Axles
- Differential
- PTO
- Hydraulic System
- Electrical System
- Electrical Tests and Diagnostics
- Wiring Diagram / Schematic
- Ignition and Charging
- Steering
- Brakes
- Wheels
- Operator's Platform
- Body Panels
- Disassembly and Assembly
- Diagnostics, Tests and Adjustments
- Troubleshooting
- and much more...

Please note this manual is in **downloadable PDF format only**. If you have any questions about this product or would like to request sample pages, please contact us and reference the product name or SKU.

6000 Series Winch



TX1237825

TX1257825-UN: 6000 Series Winch Harness (W18) Component Location

LEGEND:

102-Winch Valve

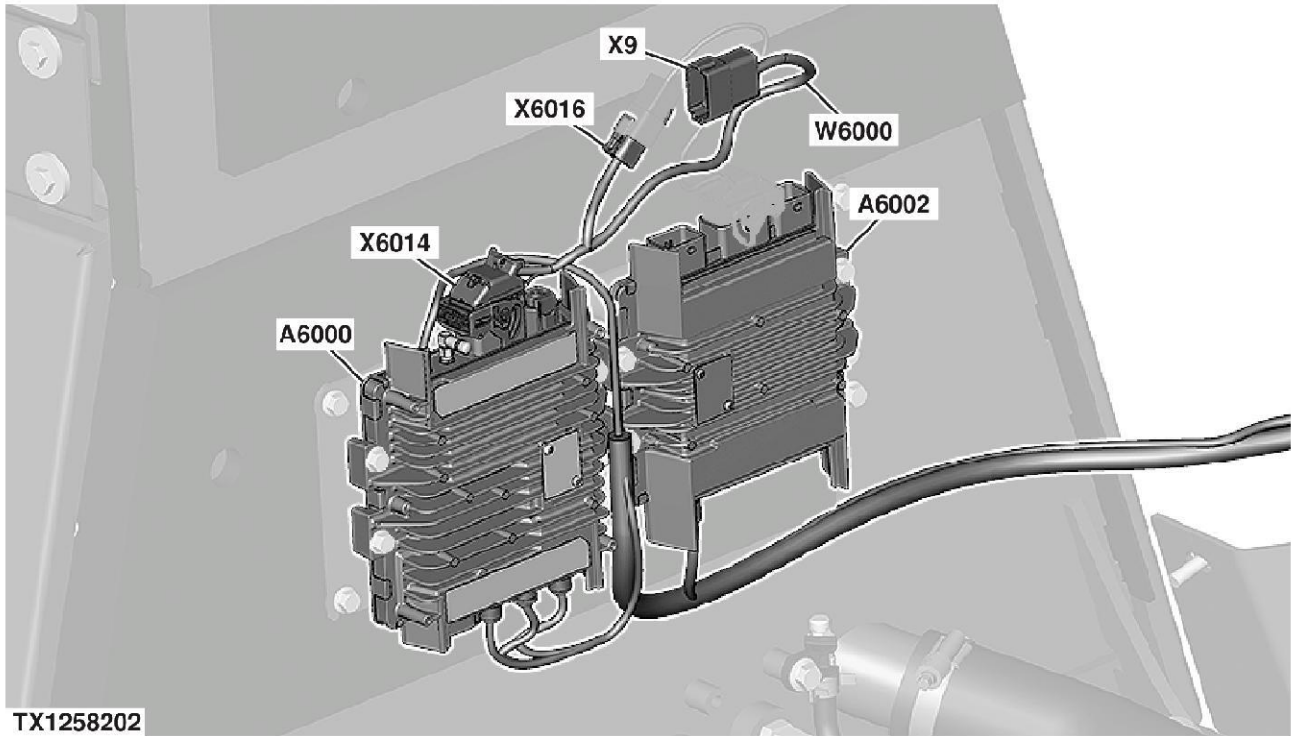
113-Winch

W18-Winch Harness

X36-Equipment Frame Interface Harness-to-Winch Harness Connector
Y64-Winch Speed Select Solenoid

Y65-Winch Free Spool Solenoid
Y66-Winch Brake Solenoid
Y67-Winch Clutch Solenoid

KA78187, 0000209-19-20181112

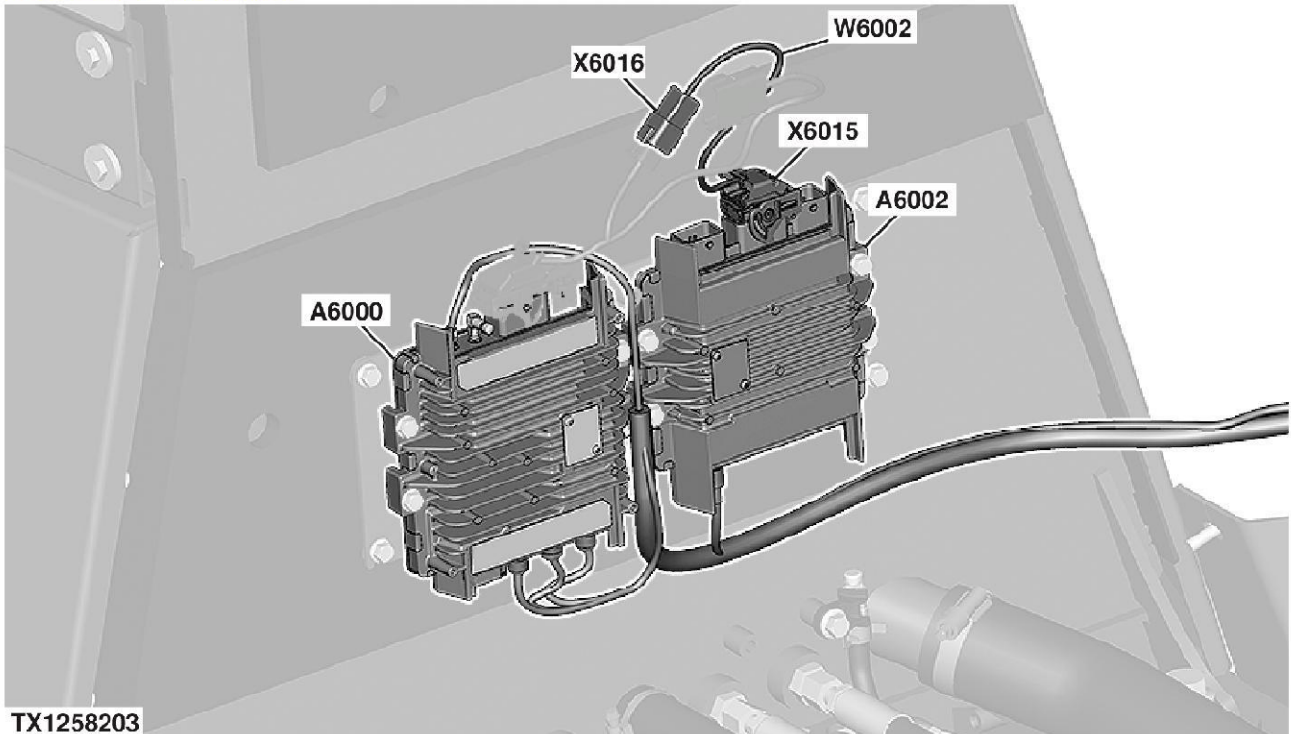


TX1258202

TX1258202-UN: JDLINK™ Modular Telematics Gateway (MTG) Harness (W6000) Component Location (if equipped)

LEGEND:

- | | | |
|--|---|--|
| A6000-Modular Telematics Gateway (MTG) Control Unit | X9-JDLINK™ Connector | X6016-JDLINK™ MTG/Satellite Interface |
| A6002-Satellite (SAT) Module Control Unit | X6014-Modular Telematics Gateway (MTG) Connector | 6-Pin Connector |
| W6000-JDLINK™ MTG Harness | | |



TX1258203

TX1258203-UN: JDLINK™ Satellite (SAT) Harness (W6002) Component Location (if equipped)

LEGEND:

- | | | |
|--|--|--|
| A6000-Modular Telematics Gateway (MTG) Control Unit | W6002-JDLINK™ SAT Harness | X6016-JDLINK™ MTG/Satellite Interface |
| A6002-Satellite (SAT) Module Control Unit | X6015-Satellite (SAT) Module Control Unit Connector | 6-Pin Connector |

JDLINK is a trademark of Deere & Company

KA78187,00001AF-15-20180625



Thank you very much
for your reading.
Please click here
to get more information.