

John Deere 850L Crawler Dozer Operation & Test Technical Manual - TM14353X19

850L Crawler Dozer Operation and Test

PIN: 1T0850LX__F352989—



JOHN HARE



COLLECTION

OPERATION & TEST TECHNICAL MANUAL 850L Crawler Dozer (PIN: 1T0850LX__F352989—)

TM14353X19 30NOV19 (ENGLISH)

For complete service information also see:

6090 PowerTech™ OEM Diesel Engines (Final Tier 4/Stage IV platform).....	ctm117719
850L PL Pipelayer Ready Crawler Dozer Repair.....	TM14356X19
850L Crawler Dozer Repair.....	TM14354X19
Super Caddy Oil Cleanup Procedure.....	
JDLINK™ (MTG) 4G LTE Technical Information.....	



Worldwide Construction and
Forestry Division

Covers: 850L,1T0850LX__,_F352989(???)

Type: Service Manual

Language: English

Pages: 881

Format: PDF

Features: Bookmarked, searchable, printable

Compatibility: Windows/Mac/Tablet/Mobile

This service manual contains important information for the maintenance, troubleshooting and servicing of the **John Deere 850L Crawler Dozer Operation & Test Technical Manual - TM14353X19**

In this manual you will find detailed specifications, illustrations, schematics, diagrams and step-by-step procedures to properly service and diagnose the machine to the manufacturer's standards.

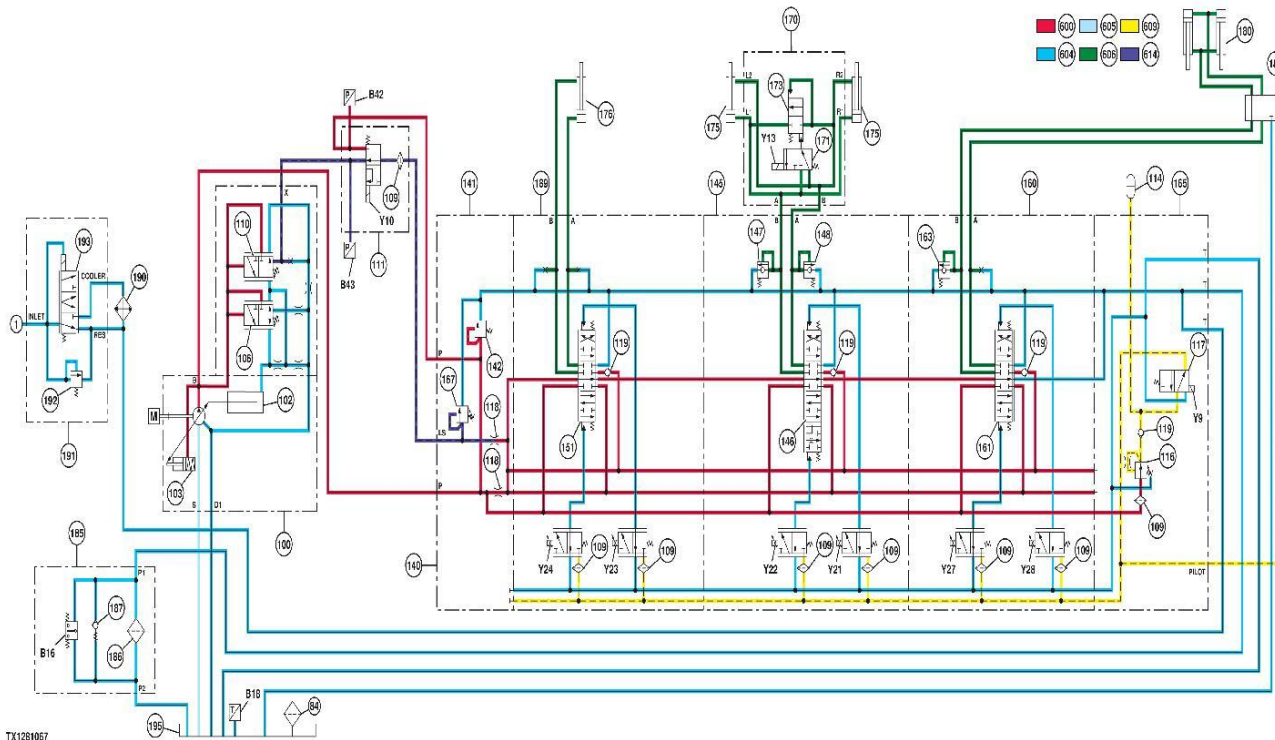
Contents:

- General Information
- Specifications
- Serial Number Location
- Engine Specifications
- Engine Diagnostics
- Engine Tests and Adjustments
- Engine Repair
- Power Train
- Transmission
- Axles
- Differential
- PTO
- Hydraulic System
- Electrical System
- Electrical Tests and Diagnostics
- Wiring Diagram / Schematic
- Ignition and Charging
- Steering
- Brakes
- Wheels
- Operator's Platform
- Body Panels
- Disassembly and Assembly
- Diagnostics, Tests and Adjustments
- Troubleshooting
- and much more...

Please note this manual is in **downloadable PDF format only**. If you have any questions about this product or would like to request sample pages, please contact us and reference the product name or SKU.

Hydraulic System Schematic

Outside Dozer (OSD)



TX1281067
 TX1281067-UN: Hydraulic System Schematic (3-section control valve with ripper shown)

- LEGEND:**
- | | | |
|--|--|---|
| 1-From Hydraulic Fan Motor | 148-Blade Raise Circuit Relief Valve (with anticavitation) | 193-Thermal Bypass Thermostat |
| 84-Breather | 151-Blade Tilt Valve Spool | 195-Hydraulic Oil Reservoir |
| 100-Main Hydraulic Pump | 160-Auxiliary 1 Section | 600-High-Pressure Oil |
| 102-Displacement Piston | 161-Auxiliary 1 Valve Spool | 604-Return Oil |
| 103-Bias Piston With Spring | 163-Circuit Relief Valve (with anticavitation) | 605-Suction Oil |
| 106-Pressure Cut-Off Valve | 165-Outlet Section | 606-Trapped Oil |
| 109-Filter Screen (8 used) | 167-Load Sense Relief Valve | 609-Pilot Oil |
| 110-Load Sense Valve | 170-Quick-Drop Valve | 614-Load Sense Oil |
| 111-Engine Overspeed Protection Valve | 171-Quick-Drop Solenoid Valve | B16-Hydraulic Oil Filter Restriction Switch |
| 114-Hydraulic Accumulator | 173-Quick-Drop Check Valve | B18-Hydraulic Oil Temperature Sensor |
| 116-Pilot Pressure Regulating Valve | 175-Blade Lift Cylinder (2 used) | B42-Hydraulic Pump Pressure Sensor |
| 117-Hydraulic Enable Solenoid Valve | 176-Blade Tilt Cylinder | B43-Hydraulic Load Sense Pressure Sensor |
| 118-Orifice (2 used) | 180-Ripper Lift Cylinder (2 used) | Y9-Hydraulic Enable Solenoid |
| 119-Check Valve (4 used) | 185-Hydraulic Oil Filter Assembly | Y10-Overspeed Solenoid |
| 140-Main Control Valve | 186-Hydraulic Oil Filter | Y13-Quick-Drop Solenoid |
| 141-Inlet Section | 187-Hydraulic Oil Filter Bypass Valve | Y21-Blade Lower Solenoid |
| 142-Hydraulic System Relief Valve | 188-Auxiliary Connections | Y22-Blade Raise Solenoid |
| 145-Blade Lift Section | 189-Blade Angle Section | Y23-Blade Tilt Left Solenoid |
| 146-Blade Lift Valve Spool | 190-Hydraulic Oil Cooler | Y24-Blade Tilt Right Solenoid |
| 147-Blade Lower Circuit Relief Valve (with anticavitation) | 191-Thermal Bypass Valve | Y27-Ripper Lower Solenoid |
| | 192-Thermal Bypass Relief Valve | Y28-Ripper Raise Solenoid |



Thank you very much
for your reading.
Please click here
to get more information.