

John Deere 950K Crawler Dozer Operation & Test Technical Manual (TM14357X19)

950K Crawler Dozer Operation and Test

PIN: 1T0950KP__F334109—
PIN: 1T0950KS__F339000—
PIN: 1T0950KL__F339000—
PIN: 1T0950KX__F339000—



JOHN HARE



COLLECTION

OPERATION & TEST TECHNICAL MANUAL 950K Crawler Dozer

(PIN: 1T0950KP__F334109—, PIN: 1T0950KS__F339000—,
PIN: 1T0950KL__F339000—, PIN: 1T0950KX__F339000—)

TM14357X19 30NOV19 (ENGLISH)

For complete service information also see:

950K Crawler Dozer Repair Manual (TM14352X19)
950 PowerTech™ OEM Diagnostics (V platform) (TM14353X19)
JDLink™ (MTG) 4G LTE T



Worldwide Construction and
Forestry Division

Covers: 950K,1T0950KP__,F334109,1T0950KS__,F339000

Type: Service Manual

Language: English

Pages: 943

Format: PDF

Features: Bookmarked, searchable, printable

Compatibility: Windows/Mac/Tablet/Mobile

This service manual contains important information for the maintenance, troubleshooting and servicing of the **John Deere 950K Crawler Dozer Operation & Test Technical Manual (TM14357X19)**

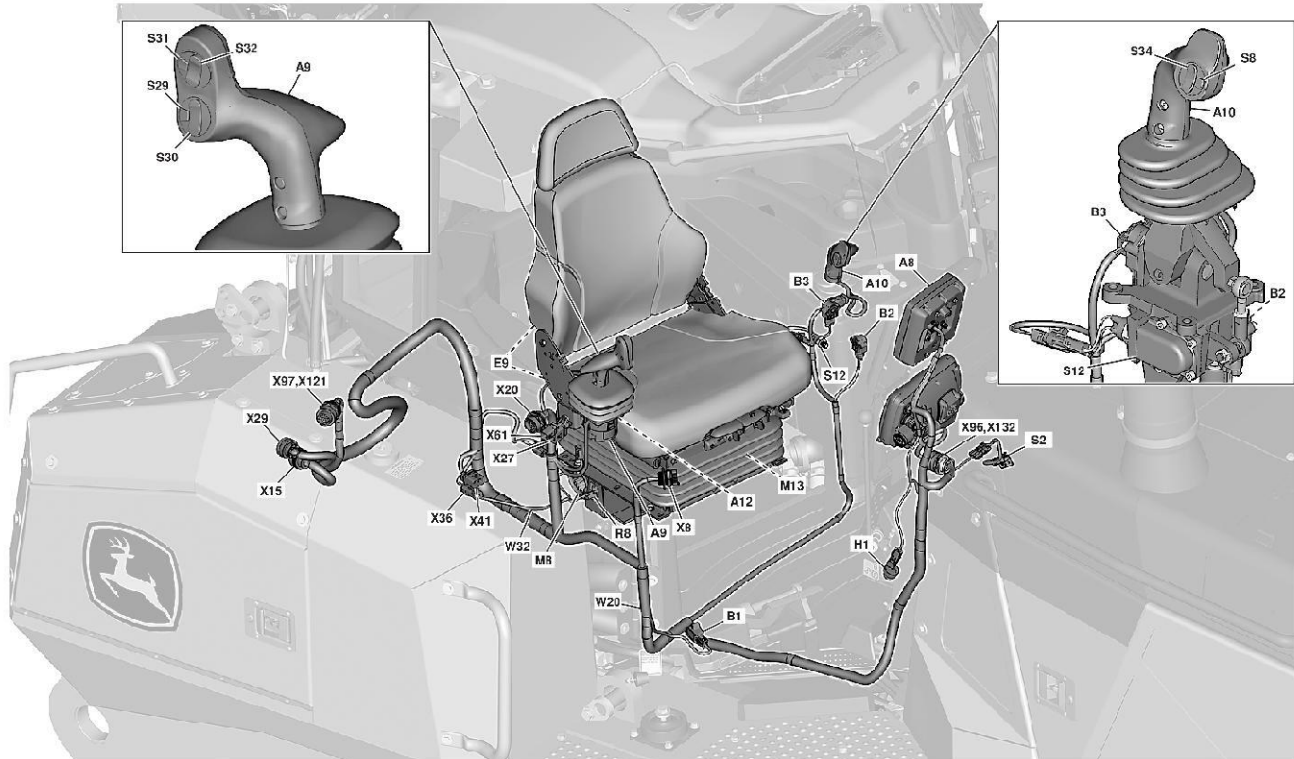
In this manual you will find detailed specifications, illustrations, schematics, diagrams and step-by-step procedures to properly service and diagnose the machine to the manufacturer's standards.

Contents:

- General Information
- Specifications
- Serial Number Location
- Engine Specifications
- Engine Diagnostics
- Engine Tests and Adjustments
- Engine Repair
- Power Train
- Transmission
- Axles
- Differential
- PTO
- Hydraulic System
- Electrical System
- Electrical Tests and Diagnostics
- Wiring Diagram / Schematic
- Ignition and Charging
- Steering
- Brakes
- Wheels
- Operator's Platform
- Body Panels
- Disassembly and Assembly
- Diagnostics, Tests and Adjustments
- Troubleshooting
- and much more...

Please note this manual is in **downloadable PDF format only**. If you have any questions about this product or would like to request sample pages, please contact us and reference the product name or SKU.

Operator's Station Harness (W20) Component Location



TX1241003

TX1241003-UN: Operator's Station Harness (W20) Component Location

LEGEND:

- | | | |
|---|---|---|
| A8-Primary Display Unit (PDU) | S29-Blade Control Switch 1 | X29-Load Center Harness-to-Operator's Station Harness 31-Pin Connector |
| A9-Blade Control Joystick | S30-Blade Control Switch 2 | X36-Under Seat Heater Harness Connector |
| A10-Transmission Control Lever (TCL) | S31-Integrated Grade Control (IGC) On/Off Switch | X41-JDLink™ Connector |
| A12-Joystick Switch Module | S32-Blade Height Increment/Decrement Switch | X61-Operator's Station Harness-to-Roof Harness 6-Pin Connector |
| B1-Decelerator Sensor | S34-Transmission Speed Control Switch | X96-Integrated Grade Control (IGC) Interface Connector 1 |
| B2-Forward, Neutral, and Reverse (FNR) Sensor | W20-Operator's Station Harness | X97-Integrated Grade Control (IGC) Interface Connector 2 |
| B3-Steer Sensor | W32-Under Seat Heater Harness | X121-SmartGrade™ Controller/Receiver Connector 1-to-Operator's Station Harness Connector |
| E9-Seat Heater | X8-Service ADVISOR™ Connector | X132-SmartGrade™ Interface Harness Connector |
| H1-Display Unit Alarm | X15-Load Center Harness-to-Operator's Station Harness 47-Pin Connector | |
| M8-Under Seat Heater Blower Motor | X20-Operator's Station Harness-to-Roof Harness 31-Pin Connector | |
| M13-Air Seat Motor | X27-Operator's Station Harness-to-Roof Harness 12-Pin Connector | |
| R8-Under Seat Heater Blower Motor Speed Resistor | | |
| S2-Park Lock Lever Switch | | |
| S8-Horn Switch | | |
| S12-Neutral Start Switch | | |

Service ADVISOR is a trademark of Deere & Company

JDLink is a trademark of Deere & Company

SmartGrade is a trademark of Deere & Company

TW62213, 0300398-16-20170629

Engine Harness (W35) Wiring Diagram

CIRCUIT DATA TABLE			
END#1	WIRE	COLOR	END#2
X5601	5003	ORG	X5018
Y5602	6007	PUR	X6501
X5501	5009	WHI	B5108
X5601	5010	BLK	X5502
X3502	5014	YEL	X3016
X5501	5015	DK GRN	X5016
X5501	5016	LT BLU	Y5401
X5501	5018	GRY	Y5401
X5502	5023	ORG	X5016
SP_5030_J	5030A	BLK	X5001
SP_5030_J	5030B	BLK	SP_5030_K
SP_5030_L_SHIELD	5030C	DRAIN	SP_5030_K
SP_5030_J	5030D	BLK	SP_5030_L
SP_5030_D	5030E	DRAIN	SP_5030_L
SP_5030_D	5030F	BLK	X5003
SP_5030_E	5030G	BLK	SP_5030_J
SP_5030_F	5030H	DRAIN	SP_5030_E
X5039	5030J	BLK	SP_5030_F
SP_5030_G	5030K	BLK	SP_5030_J
SP_5030_G	5030L	DRAIN	SP_5030_H
SP_5030_H	5030M	BLK	X5018
Y5900	5031	BRN	X5502
Y9000	5035	DK GRN	X5002
X3006	5040	BLK	X3016
X5006	5042	RED	X5018
B5103	5051	BRN	X5002
B5080	5067	PUR	X5502
X5502	5125	DK GRN	X5016
G5001	5245	LT BLU	X5002
X5502	5301	BRN	X5016
X5502	5303	ORG	X5016
X5502	5304	YEL	X5016
X5502	5305	DK GRN	X5016
X5502	5306	LT BLU	X5016
X5502	5307	PUR	X5016
X5502	5308	GRY	X5016
X5502	5309	WHI	X5016

CIRCUIT DATA TABLE			
END#1	WIRE	COLOR	END#2
X5502	6311	BRN	X5016
X5502	6313	ORG	X5016
X5502	6314	YEL	X5016
X5502	6315	DK GRN	X5016
X5502	6317	PUR	X5016
X5502	6318	GHY	X5016
X5502	6321	ERN	X5016
X5502	6324	YEL	X5016
X5503	6331	BRN	X5502
X5503	6333	ORG	X5502
X5503	6336	LT BLU	Y5003
B5400	6359	WHI	X5502
SP_5410_A	6410A	ELK	X5501
SP_5410_A	6410B	ELK	SP_5410_B
SP_5410_C_SHIELD	6410C	DRAIN	SP_5410_B
SP_5410_A	6410D	ELK	SP_5410_D
SP_5410_G_SHIELD	6410G	DRN	SP_5410_D
B6200	6111	BRN	X6501
X5501	6415	DK GRN	B5113
X5501	6417	PUR	B2000
Y5400	6421	FRN	X5001
Y5400	6423	ORG	X5501
Y5400	6425	DK GRN	X5501
X5501	6427	PUR	X5018
B5500	6435	DK GRN	X5501
B5302	6443	ORG	X5501
B5302	6445	DK GRN	X5501
X5502	6447	PUR	X5501
X5003	6448	GRY	X5501
X5501	6453	ORG	X5018
B5205	6455	DK GRN	X5502
X5502	6456	LT BLU	B2206
X5501	6461	BRN	B2008
X5502	6463	ORG	B2007
X5501	6465	DK GRN	B5102

CIRCUIT DATA TABLE			
END#1	WIRE	COLOR	END#2
X5501	6489	WHY	X5000
Y5001	6484	YEL	X5502
Y5001	6485	LT BLJ	X5502
B5000	6488	GHY	X5502
Y5021	6491	BRN	X5501
X5501	6493	ORG	Y5021
X5501	6494	YEL	Y5021
X5501	6495	DK GRN	Y5021
Y5021	6496	LT BLJ	X5501
Y5021	6497	PLR	X5501
Y5021	6498	GRY	X5501
Y5021	6499	WHI	X5501
X5501	6509	WHI	Y5401
E5105	6519	WHI	X5502
X5039	6602	RED	X5502
X5039	6604	YEL	X5502
X5039	6605	DK GRN	X5502
B6601	6611	BRN	B6113
X5601	6613	ORG	B6113
SP_6214_A	6614A	YEL	X5501
SP_6214_A	6614B	YEL	B5108
SP_6214_A	6614C	YEL	B5102
Y5400	6618D	YEL	SP_5614_A
SP_6221_A	6621A	BRN	X5502
SP_6221_A	6621B	BRN	B5106
SP_6221_A	6621C	BRN	B5000
B5400	6621D	BRN	SP_5621_A
SP_6223_A	6623A	ORG	X5502
SP_6223_A	6623B	ORG	B5106
SP_6223_A	6623C	ORG	B5000
SP_6223_A	6623D	ORG	B6206
SP_6223_A	6623E	ORG	B6205
B5400	6623F	ORG	SP_5623_A
SP_6624_A	6624A	YEL	X5502
E5103	6624B	YEL	SP_5624_A

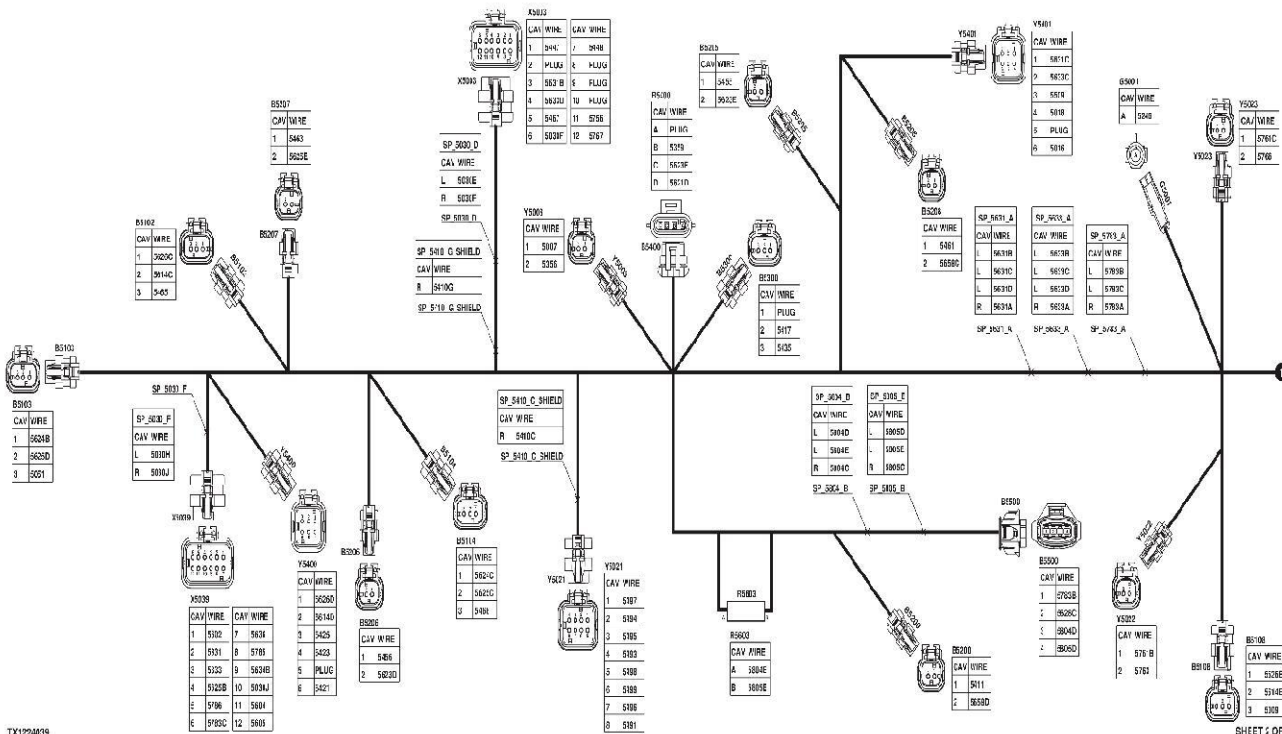
CIRCUIT DATA TABLE			
END#1	WIRE	COLOR	END#2
SP_5624_A	6624C	YEL	B5104
SP_5624_A	6624D	YEL	X5016
SP_5625_C	6625A	DK GRN	X5502
X5039	6628B	DK GRN	SP_5626_C
SP_5625_C	6629C	DK GRN	B5104
B5103	6629D	LK GHN	SP_5625_C
SP_5625_C	6629E	DK GRN	B6207
SP_5625_C	6629F	DK GRN	X5016
X5501	6628A	LT B.LU	SP_5626_A
SP_5625_A	6629B	LT B.LU	B5108
SP_5626_A	6629C	LT B.LU	B5102
Y5400	6628D	LT B.LU	SP_5626_A
SP_5628_A	6628A	GRY	X5502
SP_5628_A	6628B	GRY	X5016
B5500	6628C	GRY	SP_5628_A
SP_5631_A	6631A	BRN	X5501
X5003	6631B	BRN	SP_5631_A
SP_5631_A	6631C	BRN	Y5401
X5018	6631D	BRN	SP_5631_A
SP_6632_A	6632A	CRG	X6501
X5018	6632B	CRG	GP_6632_A
SP_5633_A	6633A	CRG	Y5401
X5003	6633B	CRG	SP_5633_A
SP_5634_A	6634A	YEL	X5502
X5039	6634B	YEL	SP_5634_B
SP_5634_B	6634C	YEL	X5016
X5039	6636	LT B.LU	X5502
X5501	6643	CRG	X5016
SP_5658_A	6658A	GRY	X5501
X5018	6658B	GRY	SP_5658_A
SP_5658_B	6658C	GRY	B5208
B5200	6658D	GRY	SP_5658_A
SP_5658_B	6658E	GRY	X5016
X5501	6671	BRN	X5016
X5003	6756	LT B.LU	X5501
SP_5761_A	6761A	BRN	X5501
SP_5761_A	6761B	BRN	X5022

CIRCUIT DATA TABLE			
END#1	WIRE	COLOR	END#2
V6025	6761C	BRN	SP_5761_A
X6501	6763	ORF	Y6002
Y5025	6766	LT BLU	X5601
X6005	6767	PLR	X5601
SP_5783_A	6783A	ORF	X5502
B5500	6783B	ORF	SP_5783_A
X5039	6783C	ORF	SP_5783_A
X5039	6785	DK GRN	X5502
X5039	6786	LT BLU	X5502
SP_5804_A	6804A	YEL	X5501
X5016	6804B	YEL	SP_5804_A
SP_5804_B	6804C	YEL	SP_5804_A
SP_5804_B	6804D	YEL	B5500
R5601	6804E	YEL	SP_5804_B
SP_5805_A	6805A	DK GRN	X5501
X5016	6805B	DK GRN	SP_5805_A
SP_5805_B	6805C	DK GRN	SP_5805_A
SP_5805_B	6805D	DK GRN	B5500
R5601	6805E	DK GRN	SP_5805_B

TX1224038

SHEET 1 OF 3

TX1224038-UN: Engine Harness (W3E) Wiring Diagram (1 of 3)



TX1224038

SHEET 2 OF 3

TX1224038-UN: Engine Harness (W3E) Wiring Diagram (2 of 3)

LEGEND:

1-Continued on Sheet 3

B5102-Exhaust Manifold Pressure Sensor

B5103-Exhaust Gas Recirculation (EGR) Flow Sensor

B5104-Manifold Air Pressure Sensor

B5108-Engine Coolant Pressure Sensor

B5200-Fixed Turbocharger Compressor Outlet Temperature Sensor

B5205-Charge Air Cooler Outlet Temperature Sensor

G5001-Alternator Excitation Connector

B5206-Manifold Air Temperature Sensor

B5207-Exhaust Gas Recirculation (EGR) Temperature Sensor

B5208-Engine Coolant Temperature Sensor

B5300-Variable Geometry Turbocharger (VGT) Speed Sensor

B5400-Variable Geometry Turbocharger (VGT) Vane Position Sensor

B5500-Intake Air Sensor

R5603-Engine CAN Terminator

SP_5030_D-5030 BLK Splice 4

SP_5030_F-5030 BLK Splice 6

SP_5410_C_SHIELD-Shield

SP_5410_G_SHIELD-Shield

SP_5631_A-5631 BRN Splice

SP_5633_A-5633 ORG Splice

SP_5633_A-5633 ORG Splice

SP_5783_A-5783 ORG Splice

SP_5804_B-5804 YEL Splice

SP_5805_B-5805 DK GRN Splice 2



Thank you very much
for your reading.
Please click here
to get more information.