

John Deere CH570 & CH670 Sugar Cane Harvester Diagnostic Technical Manual - TM155019

CH570 & CH670 Sugar Cane Harvester Diagnostic

Track and Wheel Machines
(With Stage 2 or 3 Engine)



JOHN HARE



COLLECTION

DIAGNOSTIC TECHNICAL MANUAL CH570 & CH670 Sugar Cane Harvester

TM155019 01DEC18 (ENGLISH)



John Deere Thibodaux

Covers: CH570,CH670

Type: Service Manual

Language: English

Pages: 2942

Format: PDF

Features: Bookmarked, searchable, printable

Compatibility: Windows/Mac/Tablet/Mobile

This service manual contains important information for the maintenance, troubleshooting and servicing of the **John Deere CH570 & CH670 Sugar Cane Harvester Diagnostic Technical Manual - TM155019**

In this manual you will find detailed specifications, illustrations, schematics, diagrams and step-by-step procedures to properly service and diagnose the machine to the manufacturer's standards.

Contents:

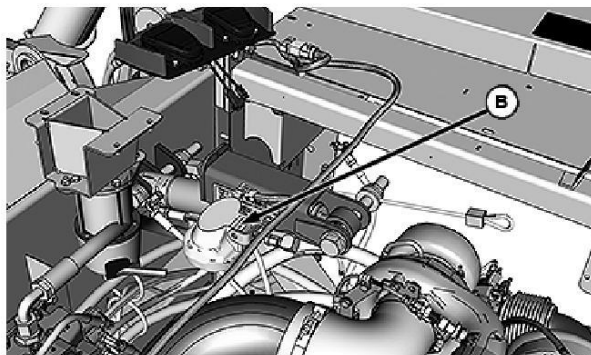
- General Information
- Specifications
- Serial Number Location
- Engine Specifications
- Engine Diagnostics
- Engine Tests and Adjustments
- Engine Repair
- Power Train
- Transmission
- Axles
- Differential
- PTO
- Hydraulic System
- Electrical System
- Electrical Tests and Diagnostics
- Wiring Diagram / Schematic
- Ignition and Charging
- Steering
- Brakes
- Wheels
- Operator's Platform
- Body Panels
- Disassembly and Assembly
- Diagnostics, Tests and Adjustments
- Troubleshooting
- and much more...

Please note this manual is in **downloadable PDF format only**. If you have any questions about this product or would like to request sample pages, please contact us and reference the product name or SKU.

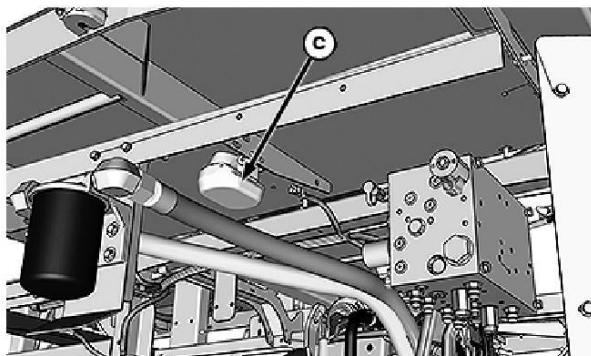
Engine Work Lights Diagnostics



T8T4390-JN: Switch



T8T4368-JN: Light 1



T8T4389-JN: Light 2

LEGEND:

- A-Engine Work Light Switch**
- B-Engine Work Light 1**
- C-Engine Work Light 2**

Available Readings

- [Rear Lights Readings](#), Page 1
 - Engine Work Lamp-In
 - Engine Work Lamp1
 - Engine Work Lamp2
- CSM 11 - Engine Compartment Lights Switch
 - Engine Work Light 1
 - Engine Work Light 2
- RCU 153
 - Engine Work Light 1 Force On
 - Engine Work Light 2 Force On
- RCU 163
 - Engine Work Light 1 Output Status
 - Engine Work Light 1 Output Fault Status
 - Engine Work Light 2 Output Status
 - Engine Work Light 2 Output Fault Status

Related Information

- [Engine Work Lights Theory of Operation](#) (Section 240, Group 20)
- [Engine Work Lights Electrical Schematic](#) (Section 240, Group 30)
- [Accessing Diagnostic Readings Pages](#) (Section 245, Group 05)
- [Accessing Diagnostic Addresses Menu](#) (Section 245, Group 05)

Diagnostic Procedure

Engine Work Lights Problem

1 Procedure 1

Action:

Check for Diagnostic Trouble Codes. See [Accessing Diagnostic Trouble Codes Menu](#) (Section 245, Group 05).

Are any engine work lights related codes present?

Engine Work Lights Related Codes:

- [RCU 516690.03—Engine Work Light 1 Driver](#)
- [RCU 516690.05—Engine Work Light 1 Driver](#)
- [RCU 516690.06—Engine Work Light 1 Driver](#)
- [RCU 516691.03—Engine Work Light 2 Driver](#)
- [RCU 516691.05—Engine Work Light 2 Driver](#)
- [RCU 516691.06—Engine Work Light 2 Driver](#)

Result:

YES:

GO TO Section 211.

NO:

GO TO 2

2 Procedure 2

Action:

Key switch in Run position. Engine Off.
Engine work light switch On.

Are both engine work lights On?

Result:

YES:

Diagnostics Complete

NO:

(Engine Work Light 1 not On.)

NO:

(Engine Work Light 2 not On.)

3 Procedure 3

Action:

Key switch in Run position. Engine Off.
Access Engine Work Lamp-In at [Rear Lights Readings](#), Page 1.
Press the engine work light switch.

Item	Measurement	Specification
Engine Work Lights Requested On	Value	Closed

Is reading within specification?

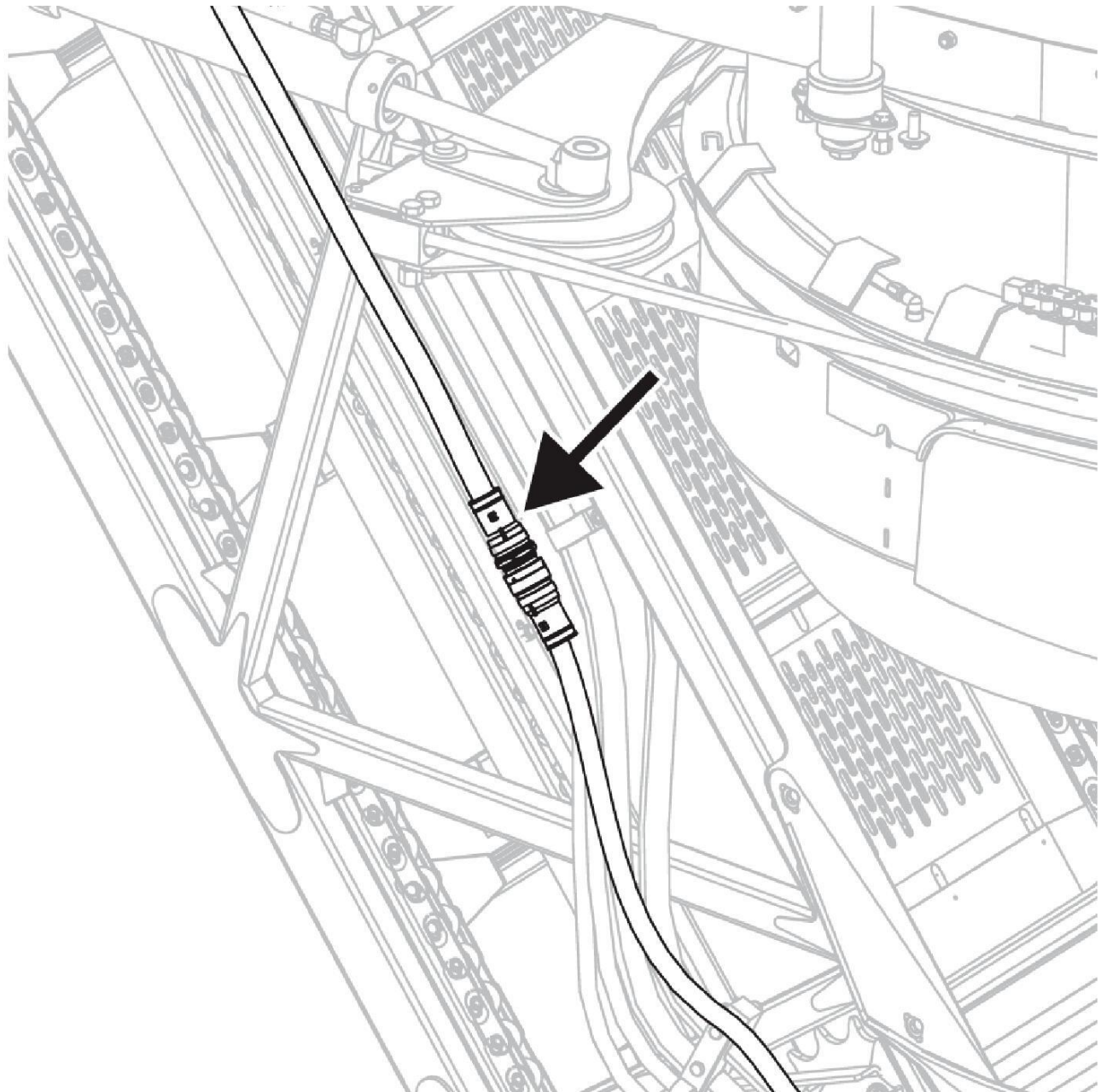
Result:

YES:

GO TO 4

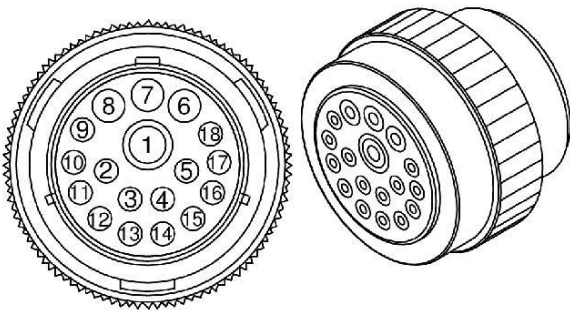
NO:

GO TO [Armrest Switch Matrix Diagnostics](#) (Section 240, Group 50C).



CQ299249-UN: x600

A73057-UN: Connector



Component Information	
Number of Pins	18
Connection Point	X600—Mainframe Extension Harness-to-Elevator Harness
Harness Information	W02—Mainframe Extension Harness (Wheel Machines) W03—Mainframe Extension Harness (Track Machines) W11—Elevator Harness



Thank you very much
for your reading.
Please click here
to get more information.