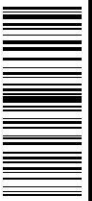


310L EP BACKHOE LOADER OPERATORS MANUAL



JOHN HARE



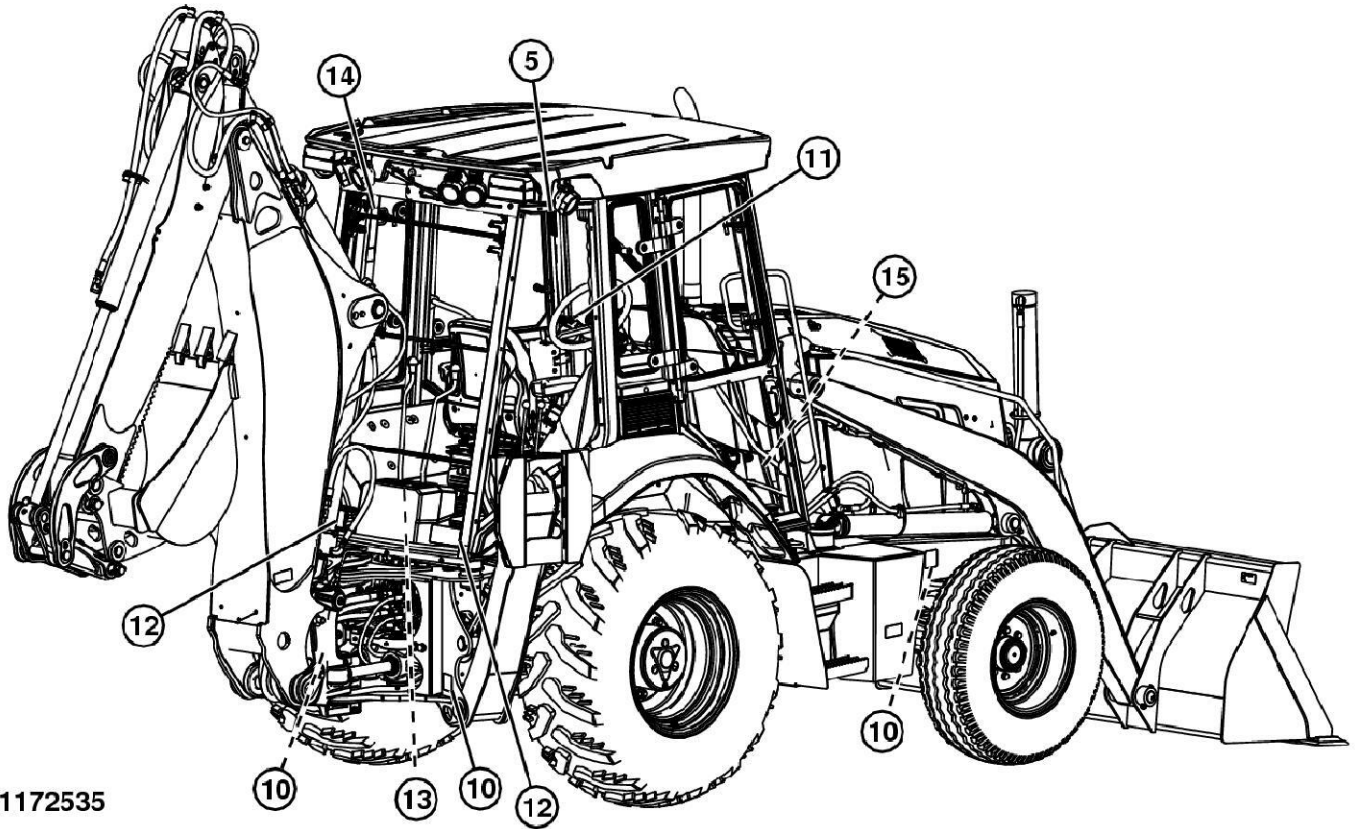
COLLECTION

OPERATOR`S MANUAL

Backhoe Loaders models 310L EP (PIN: 1T0310ELG273920-329327)**

OMT357606X19 21 APR 15 (English)





TX1172535

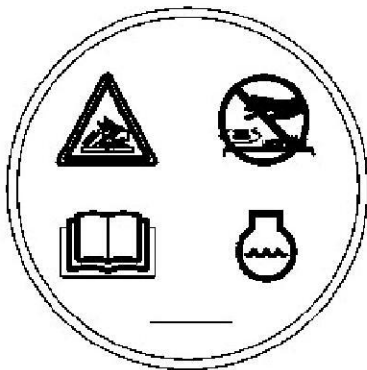
Safety Signs**LEGEND:**

- 5 WARNING, Seat Belt Should Be Worn At All Times
- 10 IMPORTANT, Tiedown Points
- 11 WARNING, Prevent Unintended Machine Movement
- 12 WARNING, Stay Clear of Swing Area
- 13 CAUTION, Alternate Control Patterns—If Equipped
- 14 Protective Structure Certification
- 15 Lift and Tiedown

[1] - WARNING, Pressurized System

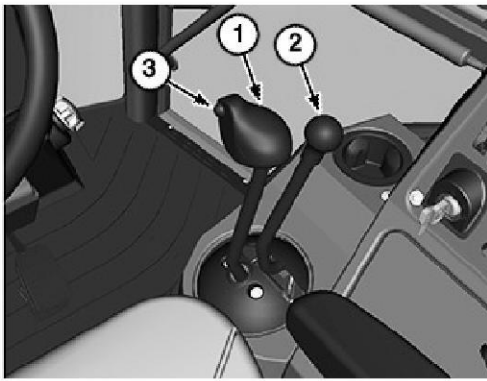
Hot coolant can cause serious burns, injury or death. To open the cooling system filler cap, stop the engine and wait until the cooling system components are cool. Loosen the cooling system pressure cap slowly in order to relieve the pressure.

This label is located on the surge tank cap.

**WARNING, Pressurized System****[2] - WARNING, Always Install Boom Lock**

Always install boom lock before working on or around this machine with the loader boom raised.

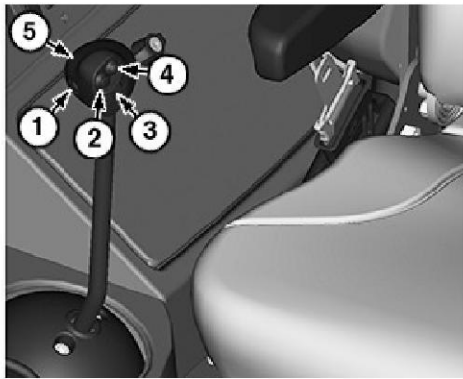
- Empty loader bucket and place in dump position, raise boom until boom lock channel can be positioned on cylinder rod, then

**LEGEND:**

- 1 Loader Control Lever
- 2 Loader Auxiliary Control Lever (if equipped)
- 3 Clutch Disconnect Switch

Loader Control Lever With Loader Auxiliary Control Lever (if equipped)

Loader Control Lever (if equipped)

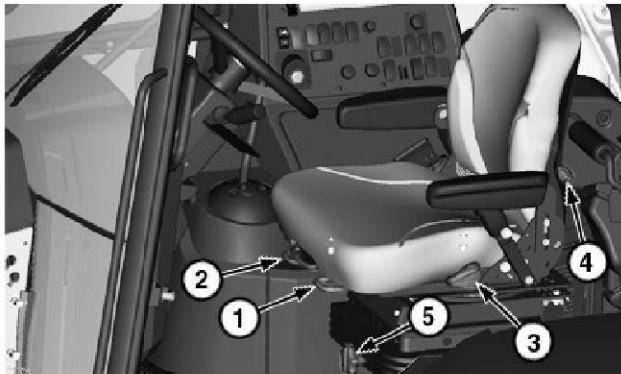
**LEGEND:**

- 1 Momentary MFWD Switch (if equipped)
- 2 Clutch Disconnect Switch
- 3 Auxiliary Hydraulic Proportional Loader Switch
- 4 Not Used
- 5 Loader Control Lever

Loader Control Lever (if equipped)

Seat Controls

Mechanical Suspension Seat

**LEGEND:**

- 1 Forward and Aft Lever
- 2 Pivot Lever
- 3 Back Tilt Lever
- 4 Lumbar Support Adjustment Lever
- 5 Weight Adjustment Knob

Mechanical Suspension Seat

**CAUTION:**

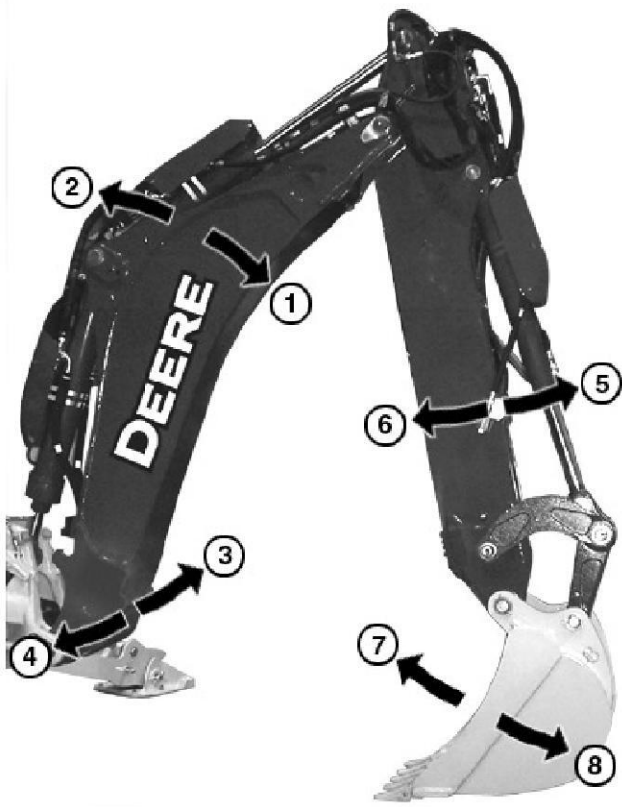
Ensure seat is locked in position before operating machine. A seat that is loose or not properly locked can cause loss of control of machine and injuries or death.

→NOTE:

Grease seat base guide rails as needed.

Lift forward and aft lever (1) up and slide seat to desired position. Release forward and aft lever to lock seat in position.

Lift pivot lever (2) up and pivot seat. Release pivot lever to lock seat in position.



Backhoe Movement



CAUTION:

Several control patterns are available for this backhoe. Always verify control response before operating. Prevent possible personal injury from unexpected machine movement. DO NOT operate backhoe from outside the operator's station. Only operate when in the operator's seat in backhoe operation position with stabilizers down.

IMPORTANT:

To avoid machine damage, do not swing boom into stabilizers.

→NOTE:

When seat is turned to backhoe operation position, seat position sensor will sound an audible alarm and STOP indicator will light if transmission control lever (TCL) is moved to F or R.

A conversion kit for changing controls is available from your authorized dealer. Labels corresponding to other controls MUST be installed.

Operate backhoe with control levers. Move levers as shown to maneuver backhoe components in desired directions.

For faster cycle times, fully extend levers when moving and operate only one component at a time.

Backhoe Operation—Two-Lever Controls—Excavator Pattern

OMT357606X19 - John Deere 310SL Backhoe Loader (PIN:1T0310SL**F273920-)
Diagnostic&Test Service Manual (TM13297X19)

Illustrated Factory Operator's Manual for John Deere Backhoe Loader Models 310L EP This manual contains high quality images, instructions to help you to operate and maintenance your truck. This document is printable, without restrictions, contains searchable text, bookmarks, crosslinks for easy navigation. Language: English Format: PDF, 301 pages Covered models: 310L EP (PIN: 1T0310LX_G273920-)



Thank you very much
for your reading.
Please click here
to get more information.