

244H Loader Diagnostic



OPERATION AND TEST MANUAL

4WD Loaders models 244H

TM1628 22 FEB 05 (ENGLISH)

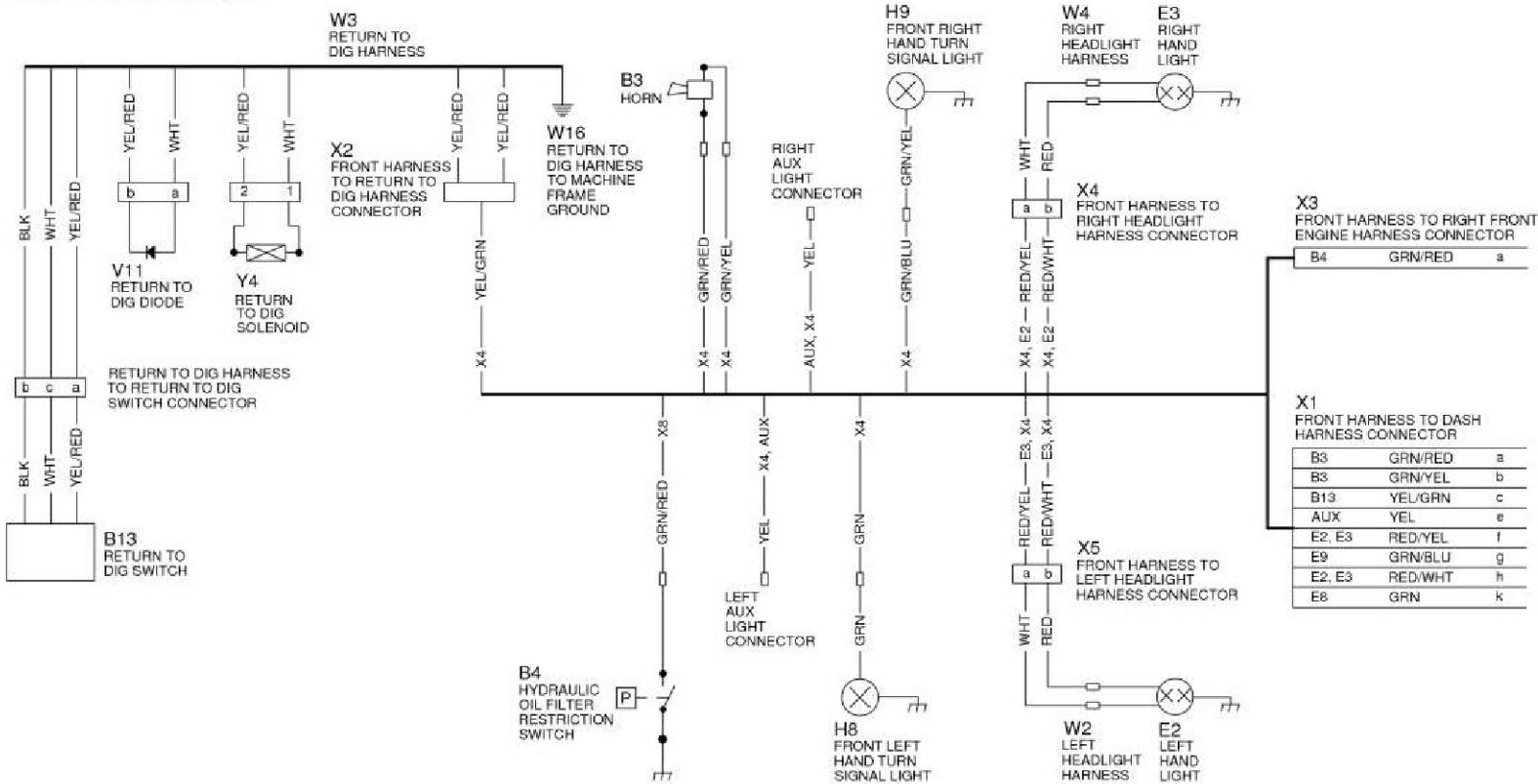
For complete service information also see:

244H Loader Repair	TM1629
Alternators and Starting Motors	CTM77
John Deere Series 220 Diesel Engines	CTM3
POWERTEC 0.9, 1.1, 1.2, 1.3, 1.5, 1.6 & 2.0 L and Yanmar 4TNE98 Diesel Engines	CTM119



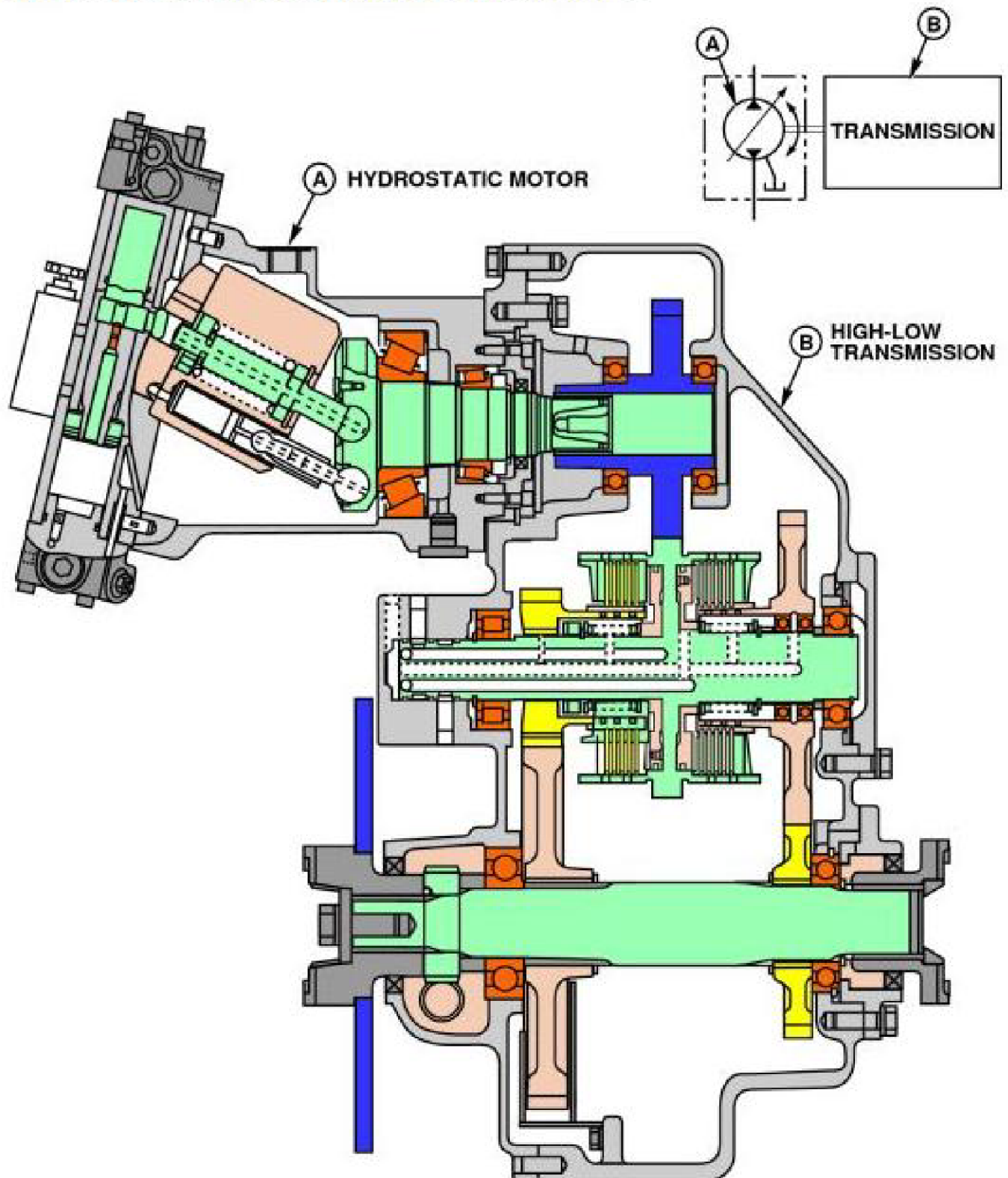
TM1628 - John Deere 244H Compact Loader Diagnostic, Operation and Test Service Manual

Front Harness (W1) Wiring Diagram



T104742
Front Harness (W1) Wiring Diagram

Hydrostatic Motor And High-Low Transmission



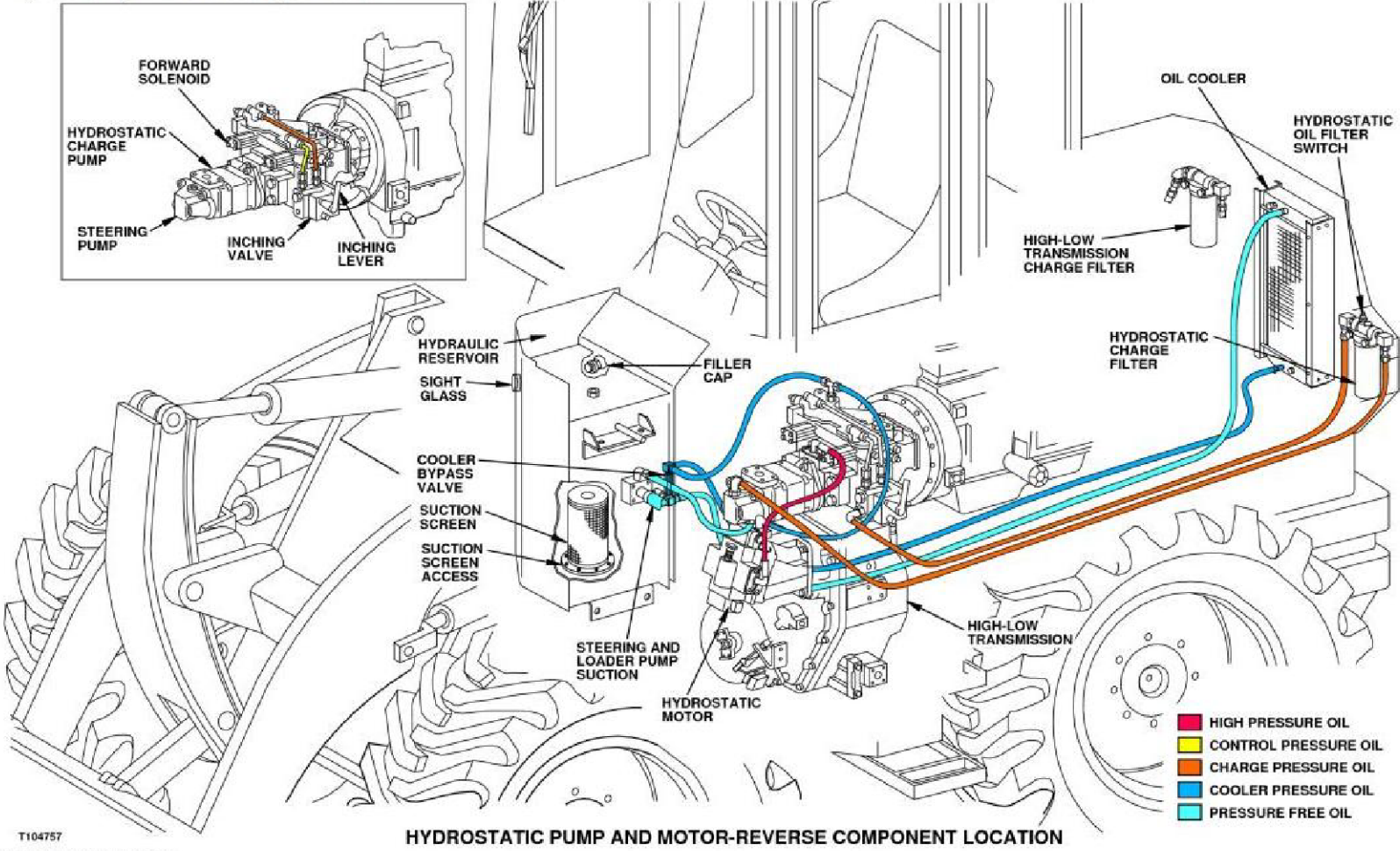
T7904AK

© HYDROSTATIC MOTOR AND HIGH-LOW TRANSMISSION

Hydrostatic Motor & High-Low Transmission

The hydrostatic motor (A) is bolted to the case of the high-low transmission (B) and splined to the input gear of the transmission.

Hydrostatic Pump And Motor-Reverse Component Location



HYDROSTATIC PUMP AND MOTOR-REVERSE COMPONENT LOCATION

T104757
Hydrostatic Pump & Motor-Reverse Comp

TM1628 - John Deere 244H Compact Loader Diagnostic, Operation and Test Service Manual

Illustrated Factory Diagnostic, Operation and Test Service Manual for John Deere 4WD Loader Model 244H This manual contains high quality images, diagrams, instructions to help you to operate, maintenance, diagnostic, and repair your truck. This document is printable, without restrictions, contains searchable text, bookmarks, crosslinks for easy navigation. Language: English Format: PDF, 506 pages Covered models: 244H



Thank you very much
for your reading.
Please click here
to get more information.