

KOBELCO

Hydraulic Excavator

**SUPER
MARK V**

SERVICEMAN HANDBOOK

SK60v LE-20101 ~

SK100v YW-07901 ~

SK100Lv LX-10201 ~

SK120v LP-13601 ~

SK120Lv LP-13601 ~

SK200v YN-23301 ~

SK200LcV YQ-02801 ~

SK220v LJ-03701 ~

SK220LcV LL-02501 ~

PDF



DOWNLOAD

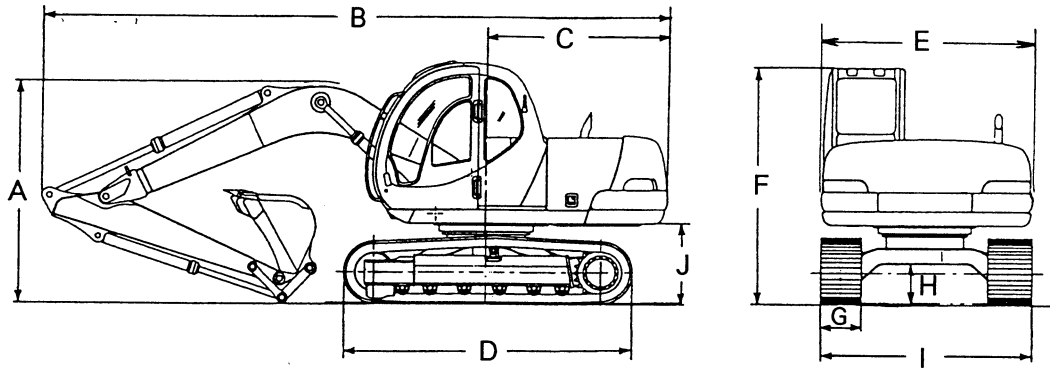


CONTENTS

1. GENERAL DIMENSIONS	1
2. MACHINE SPECIFICATION TABLE	2
3. MAJOR SPECIFICATIONS	
3-1 Engine Specifications, Characteristic Curve.....	4
3-2 Hydraulic Components.....	14
3-3 Hydraulic Cylinder List	16
4. PERFORMANCE TABLE	18
5. WEIGHT OF COMPONENTS	19
6. CAPACITY TABLE OF LUBRICATION OIL AND COOLANT	24
7. LIST OF FILTER AND ELEMENT	24
8. SPECIFIED OIL, GREASE AND FILTER ELEMENT LIST	25
9. PROCEDURES FOR MEASURING	35
10. HYDRAULIC PUMP CONTROL CURVE.....	77
11. MECHATRO CONTROLLER	
11-1 Indication of Multi-Purpose Display Service Diagnosis	80
11-2 Cluster Gauge Connector	81
11-3 Service Diagnosis Indication Items	82
11-4 Indication of Multi-Purpose Display Self Diagnosis	84
11-5 Failure History Function	88
11-6 Mechatro "A" Adjustment.....	89
11-7 Trouble-Shooting	92
12. HYDRAULIC SYSTEM DIAGRAM.....	94
13. ELECTRIC CIRCUIT DIAGRAM	102
14. DIMENSIONS OF ATTACHMENTS	118
15. MAINTENANCE STANDARD	
15-1 Pin and Bushing Table of Attachment	128
15-2 Pin Location of Attachment	144
15-3 Type of Pin and Bushing	144
15-4 Table of Pin and Bushing	146
15-5 Resinous Shim Table of Attachment	149
15-6 Under Carriage	150
16. WORKING RANGES OF ATTACHMENTS	156
17. LIFTING CAPACITY DIAGRAM	168
18. REFERENTIAL DATUM	
18-1 Torques for Nuts and Sleeves	183
18-2 Pipe Joint Torque	184
18-3 "ORS" Joint Torque and Handling	186
18-4 Special Spanner for Tube	187
19. TABLE OF CONVERSION RATE	188

SK100v SK120v SK200v SK220v
SK60v SK100Lv SK120LcV SK200LcV SK220LcV

1. GENERAL DIMENSIONS



Unit : mm

MODEL	GENERAL DIMENSIONS										
	ARM	A	B	C	D	E	F	G	H	I	J
SK60v	1,730 (STD)	2,680	6,060	R1,700	2,785	2,170	2,590	450	380	2,150	770
	2,150 (LONG)	3,040	6,045					600		2,450	
	1,730+500 (EXTENTION)	2,890	6,055								
SK100v SK100Lv	2,220 (STD)	2,510 (2,540)	7,200 (7,140)	R2,050	3,320 (3,800)	2,460	2,725 (2,920)	500 600 700 800 (700) (800) (900)	455 (600)	2,490 2,590 2,690 2,790 (2,690) (2,790) (2,890)	905 (1,100)
	1,900 (SHORT)	2,515 (2,660)	7,200 (7,220)								
	2,700 (LONG)	2,915 (3,040)	7,155 (7,240)								
SK120v SK120LcV	2,500 (STD)	2,670	7,560	R2,100	3,570 (3,740)	2,490	2,725	500 600 700 800 (500) (600) (700) (800)	455	2,490 2,590 2,690 2,790 (2,490) (2,590) (2,690) (2,790)	905
	2,100 (SHORT)	2,640	7,550								
	3,000 (LONG)	2,710	7,580								
SK200v SK200LcV	2,940 (STD)	2,840	9,400	R2,700	4,170 (4,450)	2,715	2,900	600 700 800 900 (600) (700) (800) (900)	465	2,800 2,900 3,000 3,100 (2,800) (2,900) (3,000) (3,100)	1,055
	2,400 (SHORT)	3,110	9,470								
	3,300 (LONG)	2,910	9,390								
SK220v SK220LcV	2,980 (STD)	3,080	10,040	R2,900	4,330 (4,710)	2,840	2,900	600 700 800 (600) (700) (800)	465 (450)	2,990 3,090 3,190 (3,190) (2,290) (3,390)	1,070
	2,500 (SHORT)	3,230	10,100								
	3,660 (LONG)	3,060	10,010								

NOTE : The values in () shows LC type.



Thank you very much
for your reading.
Please click here
to get more information.