

PARTS MANUAL

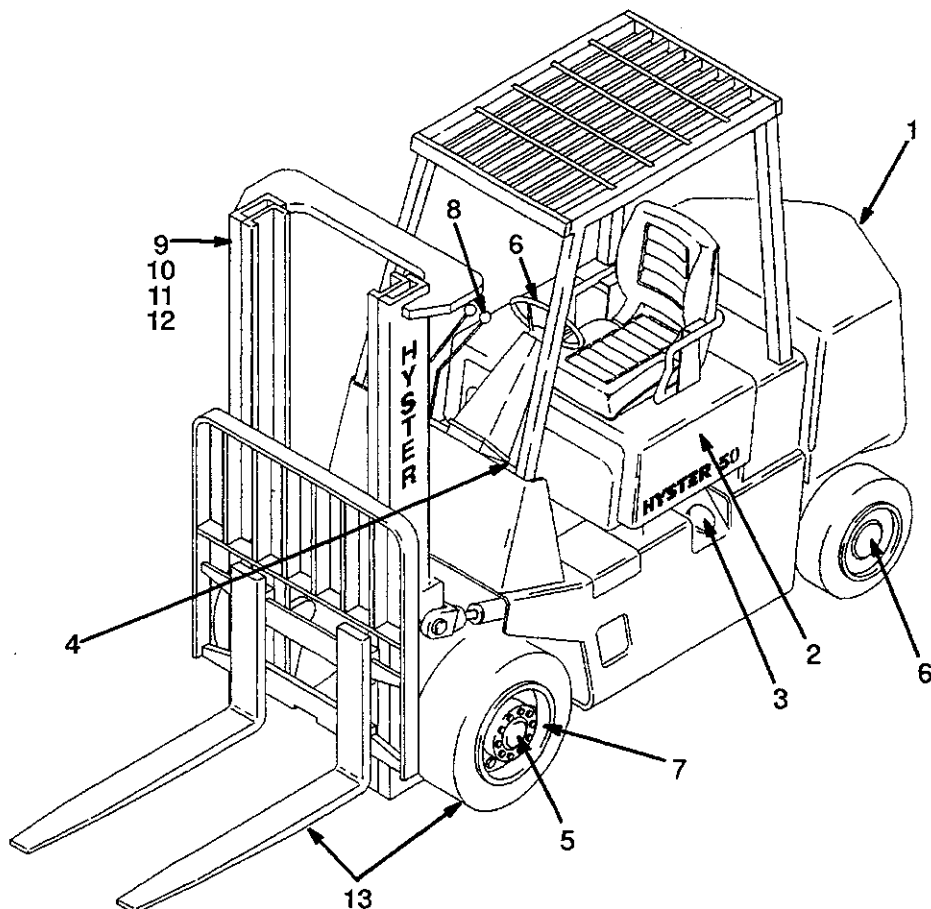
**SPACESAVER
S40-50-60XL
(C187)**



CUSTOMER EDITION

HYSTER

ILLUSTRATED CONTENTS



REF	SECTION	PAGE
1	Frame	3
2	Engine	15
3	Fuel	79
4	Electrical	113
5	Transmission	149
6	Steering	167
7	Brake	175
8	Hydraulic	185
9	Mast-Vista Two-Stage Limited Free Lift	213
9	Mast-Global Two-Stage Limited Free Lift	231
10	Mast-Vista Three-Stage Full Free Lift	253
10	Mast-Global Three-Stage Full Free Lift	277
11	Mast-Vista Two-Stage Full Free Lift	303
11	Mast-Global Two-Stage Full Free Lift	325
12	Mast-Vista Four-Stage Full Free Lift	351
13	Optional	369
14	Numerical Index	389



Thank you very much
for your reading.
Please click here
to get more information.