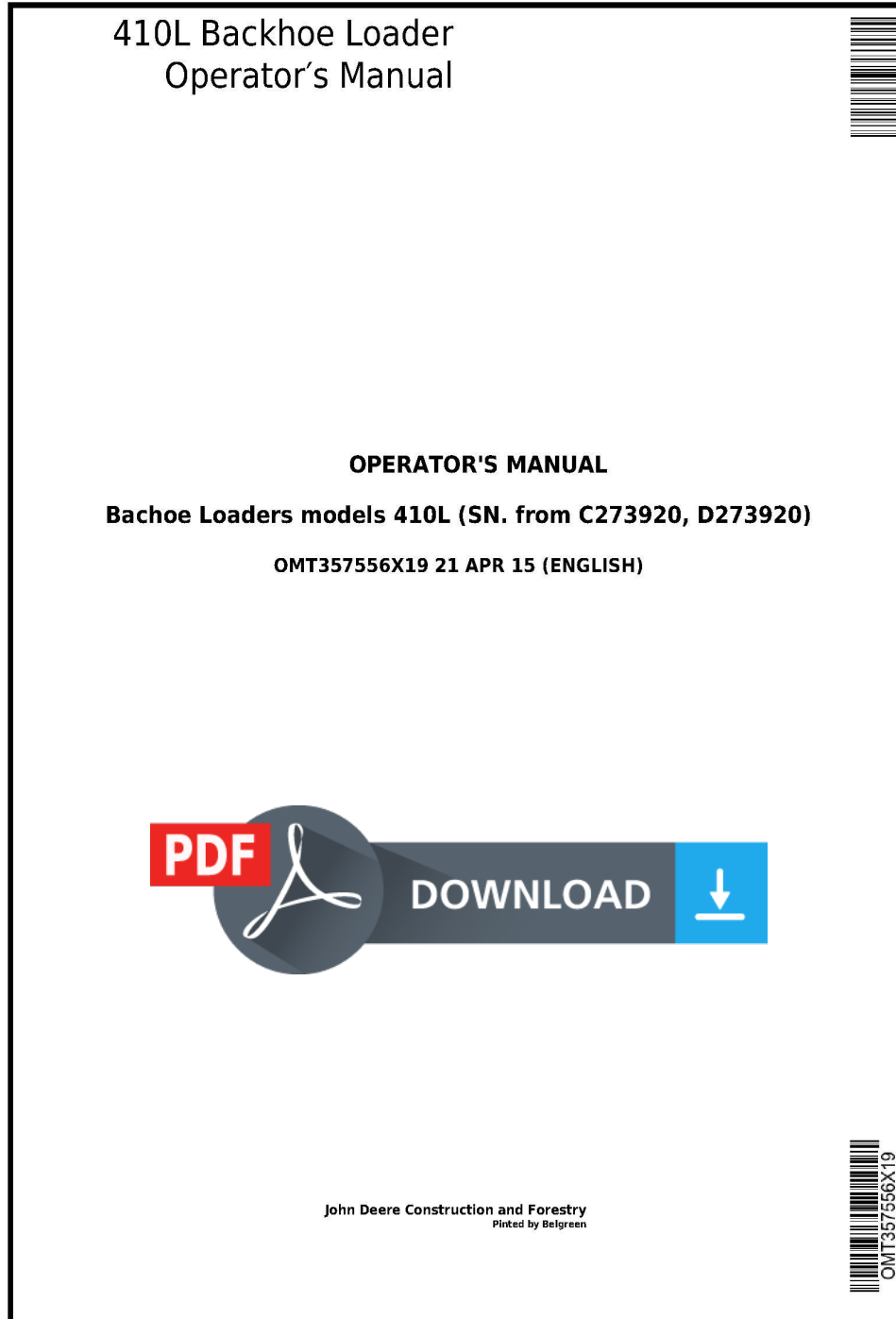


JD John Deere 410L Backhoe Loader Operators Manual (sn. C273920-; D273920-) (OMT357556X19)



Covers: 410L,1T0410LX**C273920-,1T0410LX**D273920-)

Type: Service Manual

Language: English

Pages: 329

Format: PDF

Features: Bookmarked, searchable, printable

Compatibility: Windows/Mac/Tablet/Mobile

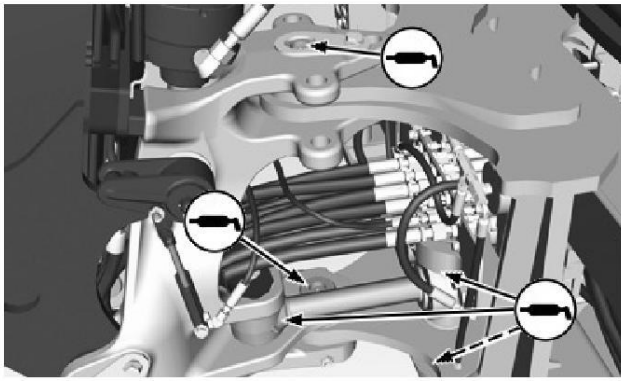
This service manual contains important information for the maintenance, troubleshooting and servicing of the **JD John Deere 410L Backhoe Loader Operators Manual (sn. C273920-; D273920-) (OMT357556X19)**

In this manual you will find detailed specifications, illustrations, schematics, diagrams and step-by-step procedures to properly service and diagnose the machine to the manufacturer's standards.

Contents:

- General Information
- Specifications
- Serial Number Location
- Engine Specifications
- Engine Diagnostics
- Engine Tests and Adjustments
- Engine Repair
- Power Train
- Transmission
- Axles
- Differential
- PTO
- Hydraulic System
- Electrical System
- Electrical Tests and Diagnostics
- Wiring Diagram / Schematic
- Ignition and Charging
- Steering
- Brakes
- Wheels
- Operator's Platform
- Body Panels
- Disassembly and Assembly
- Diagnostics, Tests and Adjustments
- Troubleshooting
- and much more...

Please note this manual is in **downloadable PDF format only**. If you have any questions about this product or would like to request sample pages, please contact us and reference the product name or SKU.

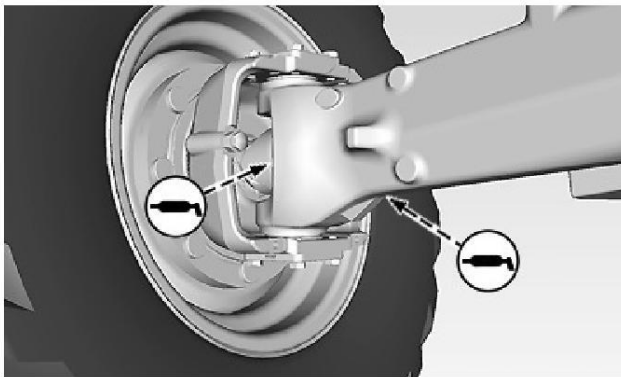


8 Points—Right Side Shown

Park machine on level surface and lower front loader boom to ground.

Apply grease to lubrication fittings until grease escapes from joint. See Grease. (Section 3-1.)

Lubricate MFWD Front Axle and Universal Joints—If Equipped

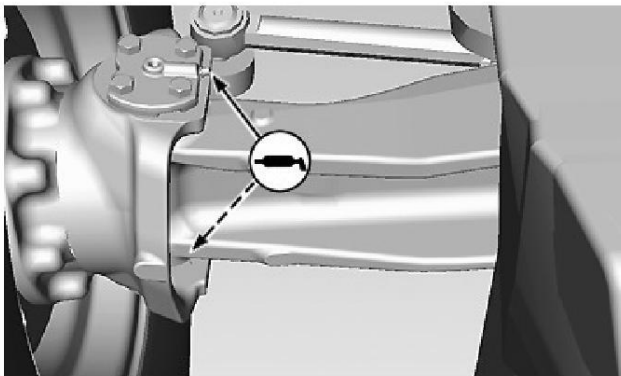


4 Points—Left Side Shown

Park machine on level surface and lower front loader boom to ground.

Apply grease to lubrication fittings until grease escapes from joint. See Grease. (Section 3-1.)

Lubricate Non-Powered Front Axle Steering Pivots—If Equipped

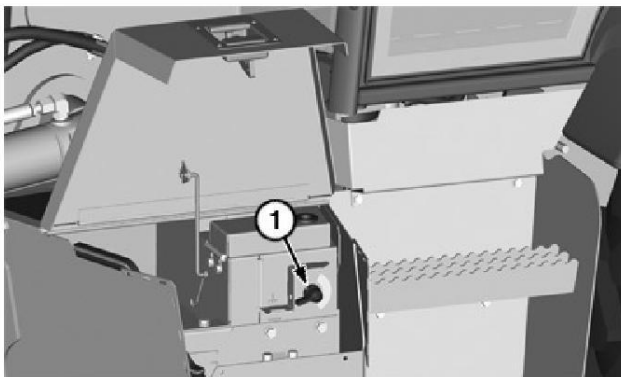


4 Points—Right Side Shown

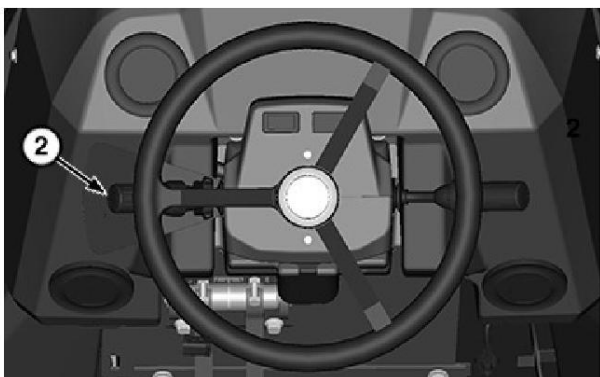
Park machine on level surface and lower front loader boom to ground.

Apply grease to lubrication fittings on steering pivots until grease escapes from joints. See Grease. (Section 3-1.)

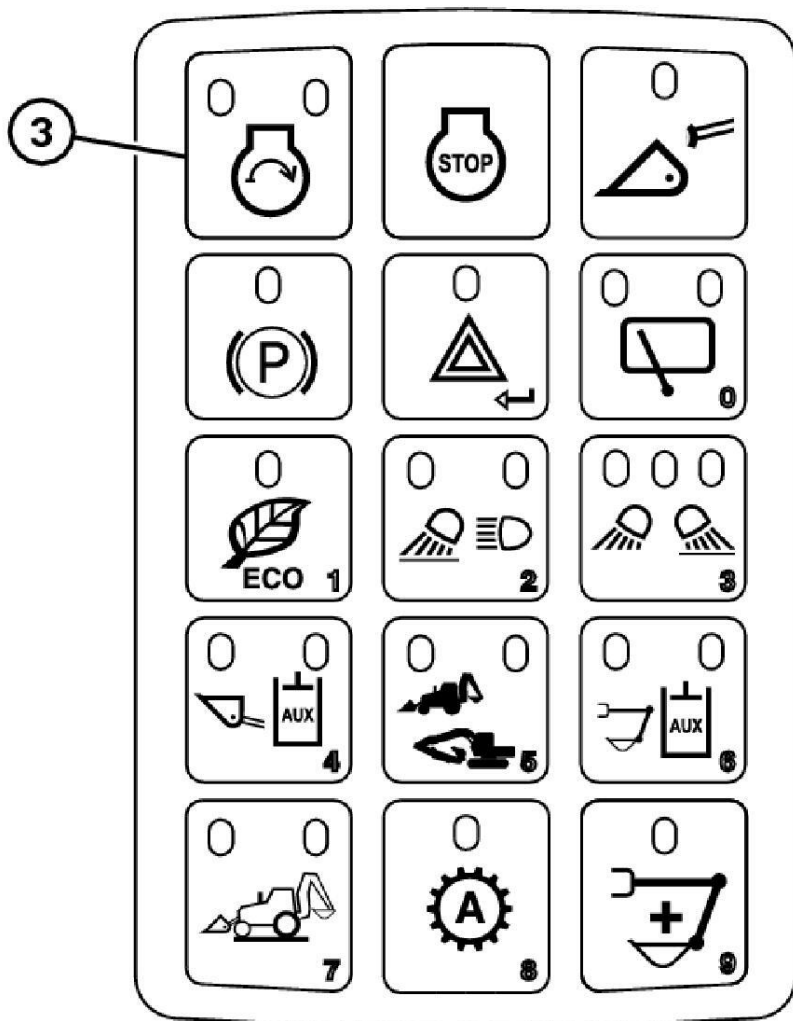
Lubricate Multipurpose Bucket Pivots—If Equipped



Battery Disconnect Switch (if equipped)



Transmission Control Lever (TCL)



Sealed Switch Module (SSM)



Thank you very much
for your reading.
Please click here
to get more information.