

John Deere 1470, 1570, W330 Combines (European Edition & CIS) Diagnosis and Tests Manual (TM801219)

1470, 1570 & W330 Combine Diagnostic (European Edition and CIS)

DIAGNOSIS AND TESTS MANUAL

Combines models 1470, 1570, W330

TM801219 23 DEC 11 (ENGLISH)

For complete service information also see:

Combines 1470, 1570 Repair (South America, Europe and CIS)	TM801319
Alternators and Starting Motors	CTM77
PowerTech E 4.5 and 6.8L Diesel Engines Level 16 Electronic Fuel System With Denso HPCR	CTM502
PowerTech Plus 4.5L and 6.8L Diesel Engines Level 14 Electronic Fuel System With Denso HPCR	CTM320
PowerTech 4.5L Diesel Engines Tier 1/Stage I, Tier 2/Stage II, Tier 3/Stage IIIA, Tier 3/Stage IIIB, (Base Engine)	

PDF



DOWNLOAD



John Deere Agriculture

Covers: 1470,1570,W330

Type: Service Manual

Language: English

Pages: 934

Format: PDF

Features: Bookmarked, searchable, printable

Compatibility: Windows/Mac/Tablet/Mobile

This service manual contains important information for the maintenance, troubleshooting and servicing of the **John Deere 1470, 1570, W330 Combines (European Edition & CIS) Diagnosis and Tests Manual (TM801219)**

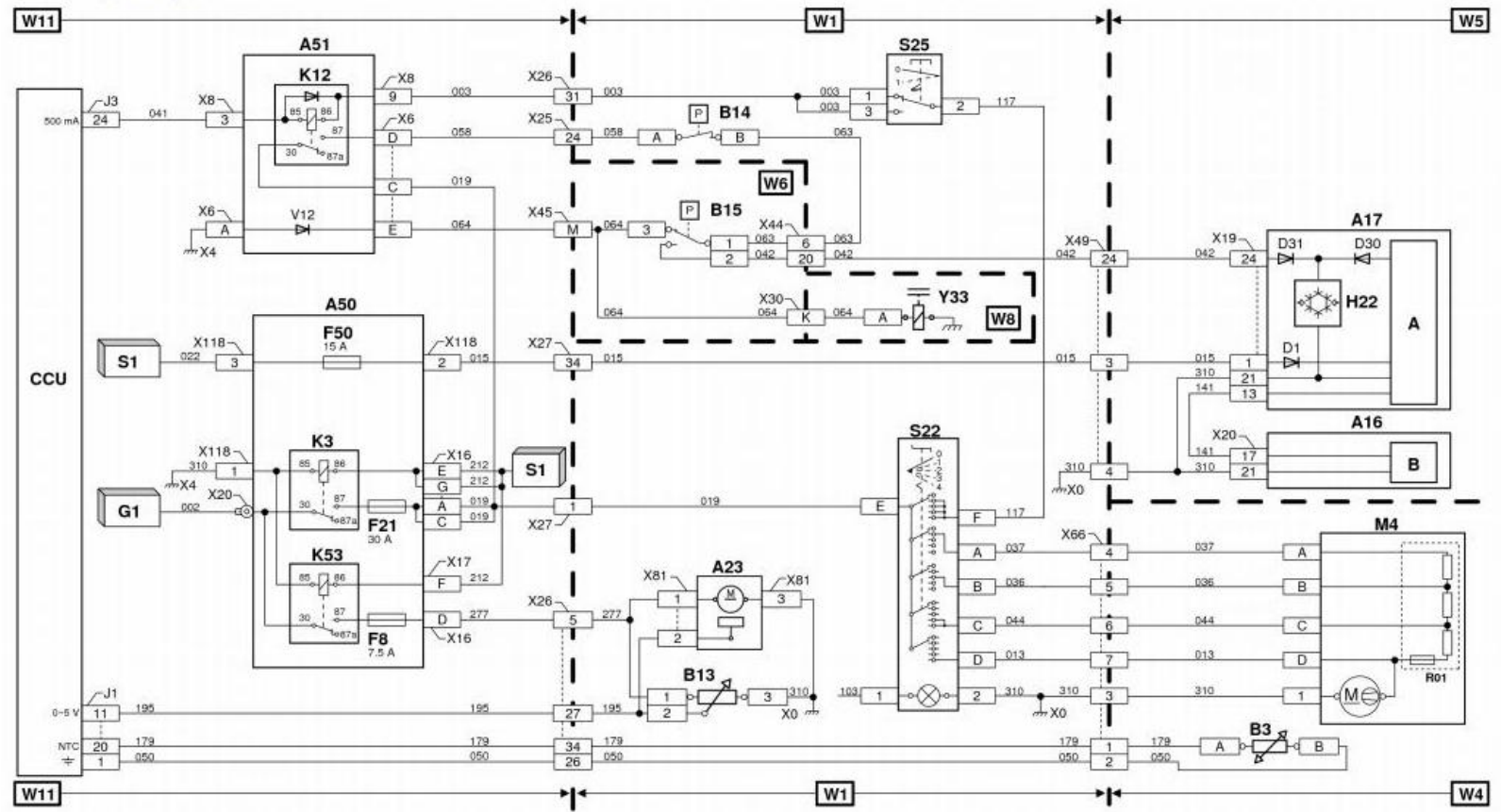
In this manual you will find detailed specifications, illustrations, schematics, diagrams and step-by-step procedures to properly service and diagnose the machine to the manufacturer's standards.

Contents:

- General Information
- Specifications
- Serial Number Location
- Engine Specifications
- Engine Diagnostics
- Engine Tests and Adjustments
- Engine Repair
- Power Train
- Transmission
- Axles
- Differential
- PTO
- Hydraulic System
- Electrical System
- Electrical Tests and Diagnostics
- Wiring Diagram / Schematic
- Ignition and Charging
- Steering
- Brakes
- Wheels
- Operator's Platform
- Body Panels
- Disassembly and Assembly
- Diagnostics, Tests and Adjustments
- Troubleshooting
- and much more...

Please note this manual is in **downloadable PDF format only**. If you have any questions about this product or would like to request sample pages, please contact us and reference the product name or SKU.

Electrical Diagram - B-Type



Electrical Diagram

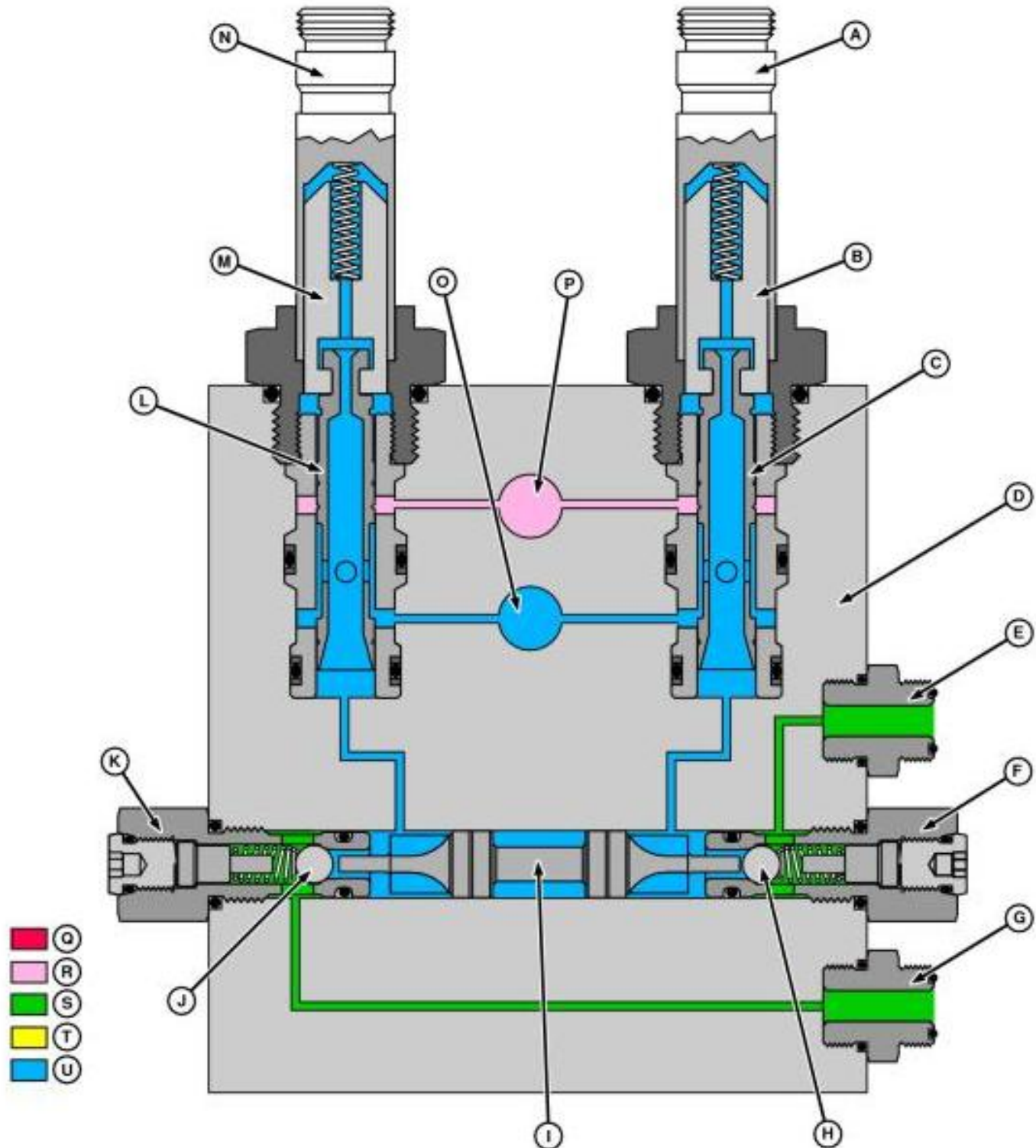
Reel Forward/Reverse Valve

Reel forward/reverse valve operation

Reel forward/reverse is controlled by two-way and three-way solenoid valves cartridges in the hydraulic valves. Check valves operated by pilot are used to avoid reel from moving forward and backwards during operation.

It is necessary pressure oil both to extend and retract reel forward/Secondary cylinders.

Reel forward/reverse solenoid valves cartridges, unloading auger opening and closing and header tilt are identical, and can be replaced for diagnosis purposes.



Reel Forward/Reverse (Neutral)



Thank you very much
for your reading.
Please click here
to get more information.