

John Deere 1470, 1570, W330 Combines (South America, Europe, CIS) Service Repair Manual (TM801319)

1470, 1570 and W330 Combines Repair (South America, Europe and CIS)

REPAIR TECHNICAL MANUAL

Combine models 1470, 1570, W330

TM801319 12 FEB 13 (ENGLISH)

For complete service information also see:

1470, 1570 & W330 Combine Diagnostic (European Edition and CIS) TM801219

1470, 1570 Combine Diagnostic (South American Edition) TM801119

PowerTech 8.1 L Diesel Engines Base Engine CTM86

Alternators and Starting Motors CTM77

PowerTech 4.5L Level 12 Electronic Stanadyne DE10

PowerTech 4.5 L and 6.8L Engines Level 4 Electronic With Bosch VP44 Pump

PowerTech 6.8L and 8.1L, 6000 RPM Diesel Engines (Level 3 Electronic Fuel Systems with Bosch In-Line Pump) CTM134

PowerTech 4.5L & 6.8L Diesel Engines Tier 1/Stage I, Tier 2/Stage II, Tier 3/Stage IIIA, Tier 3/Stage IIA Tier 3/Stage III, (Base Engine) CTM104

John Deere Agriculture

PDF



DOWNLOAD



Covers: 1470,1570,W330

Type: Service Manual

Language: English

Pages: 743

Format: PDF

Features: Bookmarked, searchable, printable

Compatibility: Windows/Mac/Tablet/Mobile

This service manual contains important information for the maintenance, troubleshooting and servicing of the **John Deere 1470, 1570, W330 Combines (South America, Europe, CIS) Service Repair Manual (TM801319)**

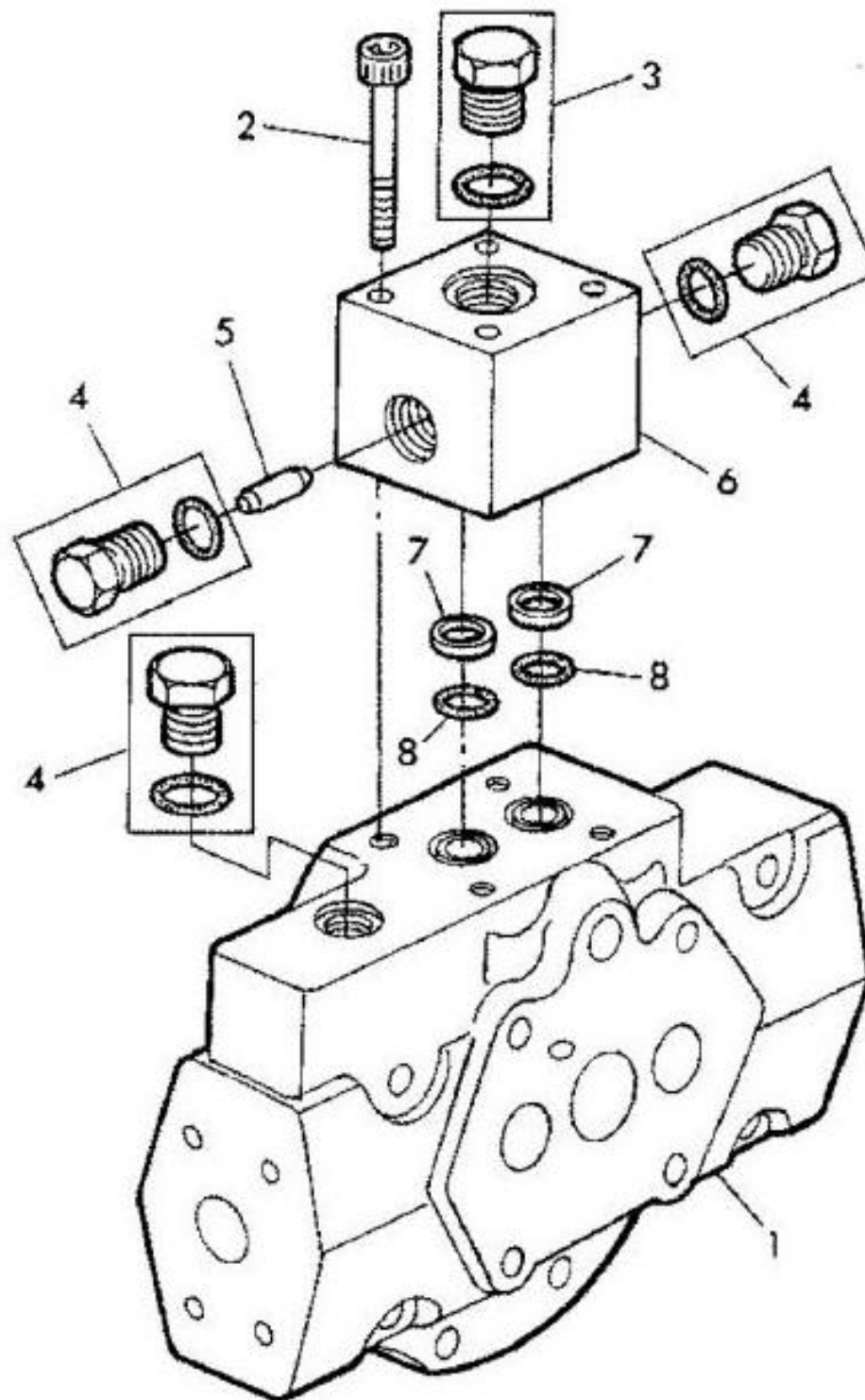
In this manual you will find detailed specifications, illustrations, schematics, diagrams and step-by-step procedures to properly service and diagnose the machine to the manufacturer's standards.

Contents:

- General Information
- Specifications
- Serial Number Location
- Engine Specifications
- Engine Diagnostics
- Engine Tests and Adjustments
- Engine Repair
- Power Train
- Transmission
- Axles
- Differential
- PTO
- Hydraulic System
- Electrical System
- Electrical Tests and Diagnostics
- Wiring Diagram / Schematic
- Ignition and Charging
- Steering
- Brakes
- Wheels
- Operator's Platform
- Body Panels
- Disassembly and Assembly
- Diagnostics, Tests and Adjustments
- Troubleshooting
- and much more...

Please note this manual is in **downloadable PDF format only**. If you have any questions about this product or would like to request sample pages, please contact us and reference the product name or SKU.

Assembly of Hydrostatic Pump Cover



CQ213910

Hydrostatic Pump

LEGEND:

1	Housing
2	Screw
3	Plug
4	Screw
5	Pin
6	Housing

[1] - Drain brake fluid from system. See "Draining Brake Fluid".

[2] - Remove brake drum. See "Removing Brake Drum".

[3] -



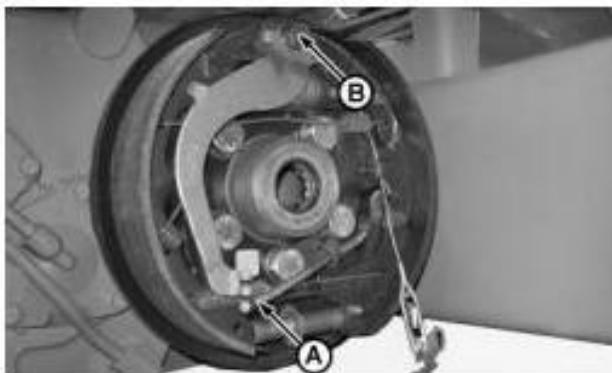
LEGEND:

A Lever

Lever

Remove adjustment bolt lever (A).

[4] -



LEGEND:

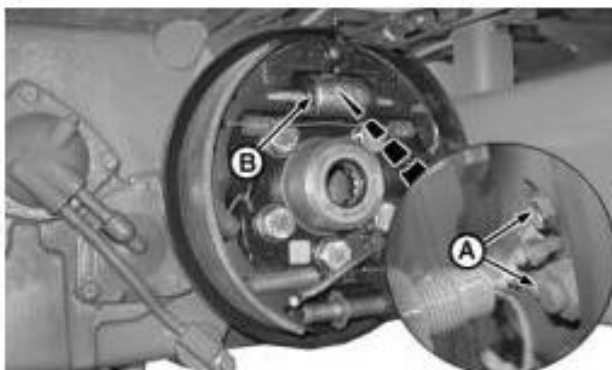
A Cable
B Bolt

Parking brake cable

Remove parking brake cable (A).

[5] - Remove parking brake lever by bolt (B).

[6] -



LEGEND:

A Bolts
B Brake operating cylinder

Brake Operating Cylinder

Remove bolts (A) and brake operating cylinder (B).



Thank you very much
for your reading.
Please click here
to get more information.