

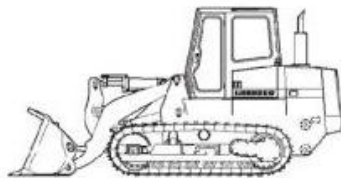
John Deere 655C, 755C; Liebherr 622, 632 Crawler Loaders Service Repair Technical Manual

LIEBHERR

Service Manual

Crawler Loaders
SERIES **2**
Liebherr

Table of Contents
Issue 01/2003



PDF



DOWNLOAD



1	General Information
2	Special Tools, Application Guidelines
3	Technical Data - Maintenance Guidelines
4	Engine
I	
5	Coupling and Splitter Box
6	Travel Hydraulic
7	Working Hydraulic
8	Hydraulic Components
9	Electrical System
10	Electronic Control
11	Travel Gear
12	Track Components
13	Attachments - front
15	Main Frame - Add On Components
16	Tank Installation's
17	Operators Platform, Heater, Air Conditioner
18	Special Attachments
19	Miscellaneous Informations

Covers: 2,622,2,632,655C,755C

Type: Service Manual

Language: English

Pages: 655

Format: PDF

Features: Bookmarked, searchable, printable

Compatibility: Windows/Mac/Tablet/Mobile

This service manual contains important information for the maintenance, troubleshooting and servicing of the **John Deere 655C, 755C; Liebherr 622, 632 Crawler Loaders Service Repair Technical Manual**

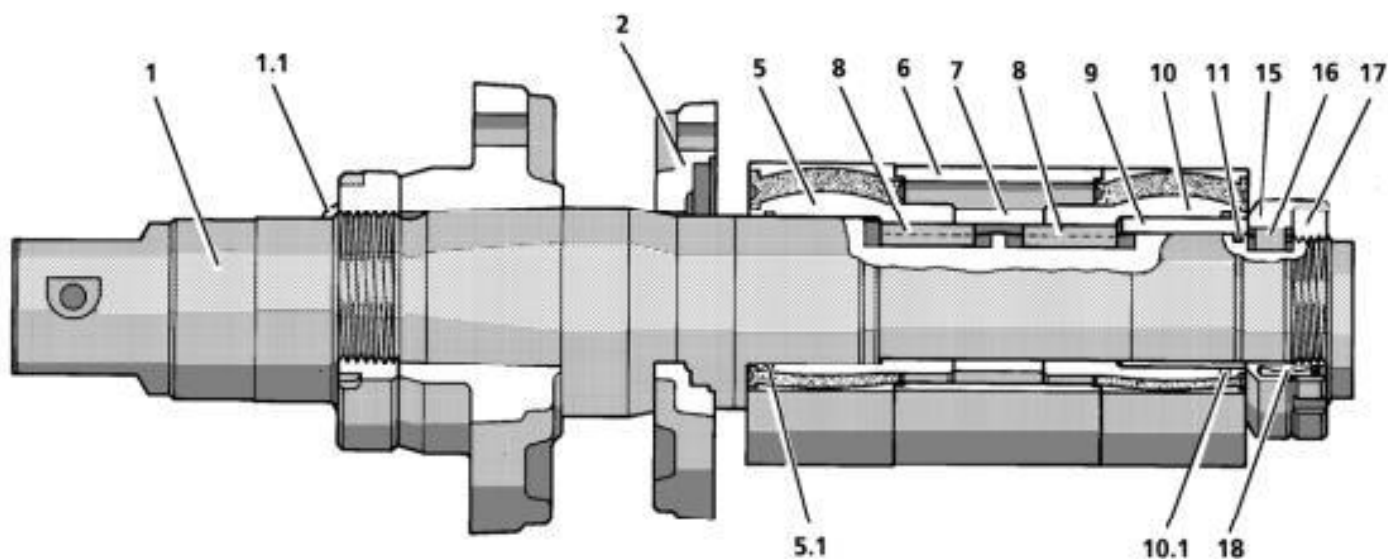
In this manual you will find detailed specifications, illustrations, schematics, diagrams and step-by-step procedures to properly service and diagnose the machine to the manufacturer's standards.

Contents:

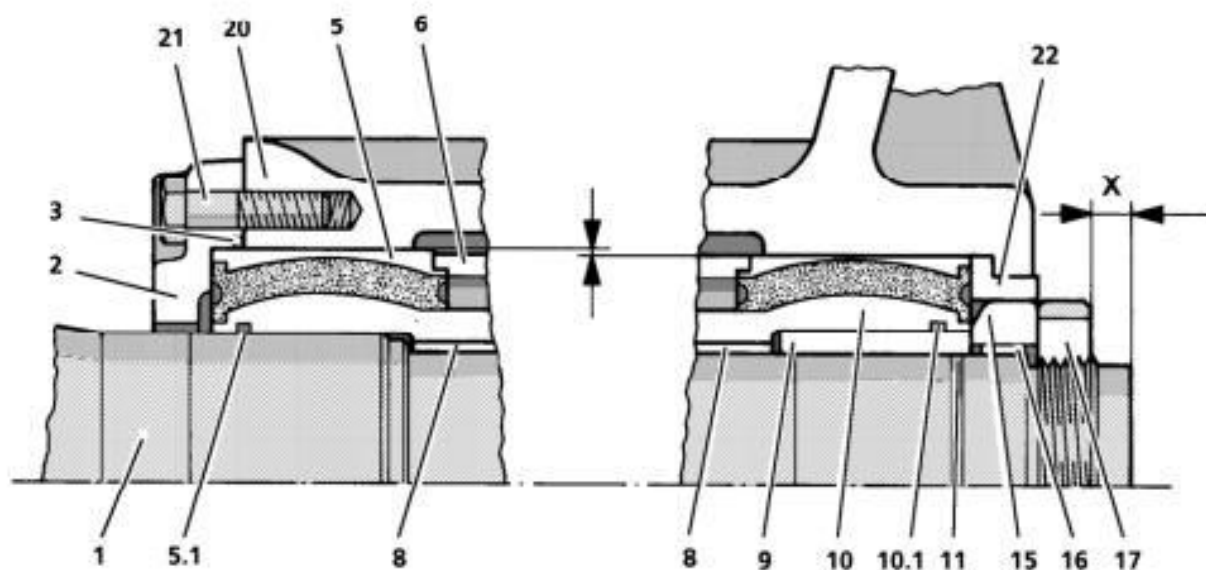
- General Information
- Specifications
- Serial Number Location
- Engine Specifications
- Engine Diagnostics
- Engine Tests and Adjustments
- Engine Repair
- Power Train
- Transmission
- Axles
- Differential
- PTO
- Hydraulic System
- Electrical System
- Electrical Tests and Diagnostics
- Wiring Diagram / Schematic
- Ignition and Charging
- Steering
- Brakes
- Wheels
- Operator's Platform
- Body Panels
- Disassembly and Assembly
- Diagnostics, Tests and Adjustments
- Troubleshooting
- and much more...

Please note this manual is in **downloadable PDF format only**. If you have any questions about this product or would like to request sample pages, please contact us and reference the product name or SKU.

LR 622 / RL (4)22

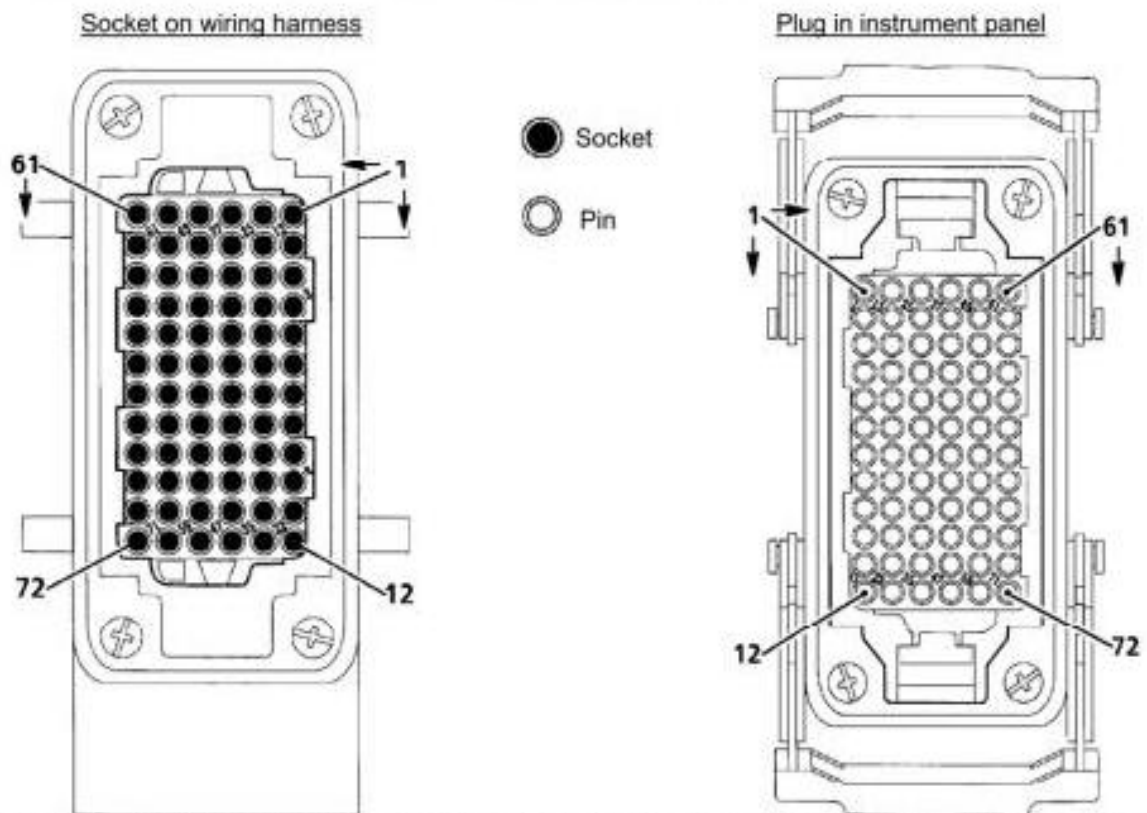


Einbaulage
Installed position - LR 622 / RL (4)22
Montage



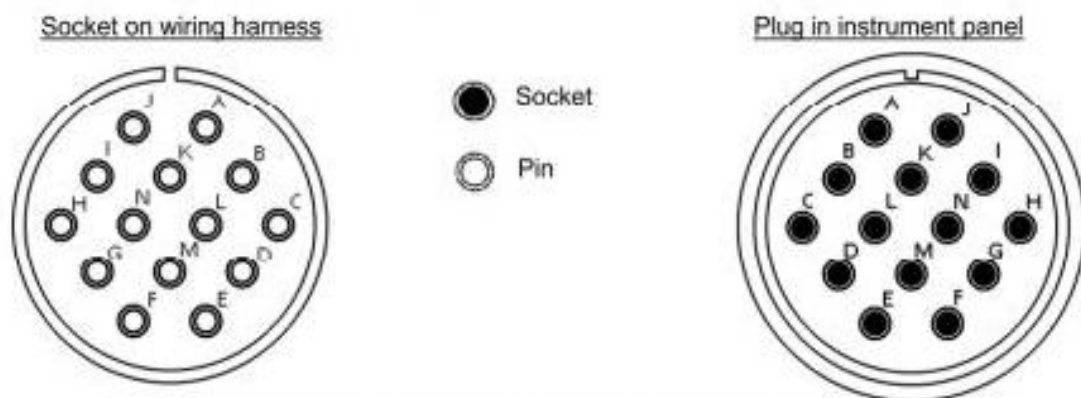
LIEBHERR Datum Edition Date 01 00	Benennung Description Dénomination Stützachse vormontiert Support Shaft preassembled Arbre porteur - prémonté	Typ/ab Type/from Type/a partir de LR Litronic RL Litronic
	Blatt Page Feuille 12.9.10.02	

1. Panel plug X2 (72 poles) central wiring harness (Harting HAN 72 DD)



pole c.no.	pole c.no.	pole c.no.	pole c.no.	pole c.no.	pole c.no.	pole c.no.	pole c.no.	pole c.no.	pole c.no.	pole c.no.	pole c.no.
1 3003	8 9031	15 9038	22 9021	29 7000	36 9020	43 5929	50 6800	57 9014	64 1020	71 6339	
2 6805	9 7016	16 6877	23 9022	30 6309	37 9028	44 7002	51 6307	58 9011	65 9046	72 6128	
3 6806	10 9024	17 9054	24 9023	31 7001	38 3010	45 9040	52 6305	59 9012	66 6311		
4 6808	11 9025	18 6803	25 5990	32 6313	39 6500	46 3000	53 6302	60 9013	67 5000		
5 6319	12 9026	19 6804	26 6502	33 1071	40 6315	47 9016	54 6304	61 1001	68 1026		
6 6303	13 9034	20 6807	27 9033	34 3008	41 6301	48 9017	55 6300	62 1021	69 6338		
7 6306	14 3004	21 3009	28 6316	35 9019	42 9039	49 1001	56 6308	63 1065	70 3007		

2. Panel plug X4 (14 poles) cab wiring harness (Cannon CA COM-E-20-27S-B-01)



pole c.no.	pole c.no.	pole c.no.	pole c.no.	pole c.no.
A 1015	D 6007	G 9001	J 9003	M 9006
B 1016	E 1019	H 9002	K 9004	N 9007
C 1017	F 9000	I 6014	L 9005	

LIEBHERR

Benennung Description Dénomination

Typ/ab Type/from Type/ a partir de

Datum Edition Date

Wiring

LR 632B F/N 393- 6200→

01 03

Electrical System

Blatt
Page
Feuille

9.2.35.01



Thank you very much
for your reading.
Please click here
to get more information.