

John Deere 744K T3/S2 4WD Loader (SN.-632967) Diagnostic, Operation and Test Service Manual (TM10682)

744K 4WD Loader
(SN.-632967) with Engines
6090HDW06 (T3),
6090HDW08 (S2)
Diagnostic



OPERATION AND TEST MANUAL

4WD Loaders models 744K (SN. before 632967)

TM10682 22 FEB 16 (ENGLISH)

For complete service information also see:

JDLINK (MTG) Technical Manual	TM114519
744K 4WD Loader Repair	TM10683
Alternators and Starting Motors	CTM77
TeamMate II 1200, 1400, and 1600 Series Inboard Planetary Axles	CTM43
PowerTech 9.0L OHC Diesel Engine Stage IIIA Emissions Certified Base Engine	CTM400
PowerTech 6090 Series High Pressure Common Rail Diesel Engine	
Super Caddy Oil Cleanup Product	
TeamMate II 1600 Series Inboard Planetary Axles	CTM120519
120 Series Hydraulic Cylinders	CTM120519
185 Series Hydraulic Cylinders	CTM114919
120 Series Hydraulic Cylinders	CTM114319
125 Series Hydraulic Cylinders	CTM109319
COOLANT HEATER SERVICE MANUAL	CTM10090X19
JDLINK/ZXLINK Machine Monitoring System	CTM10006



John Deere Construction and Forestry
Printed by Belgreen



Covers: 744K,632967)

Type: Service Manual

Language: English

Pages: 1433

Format: PDF

Features: Bookmarked, searchable, printable

Compatibility: Windows/Mac/Tablet/Mobile

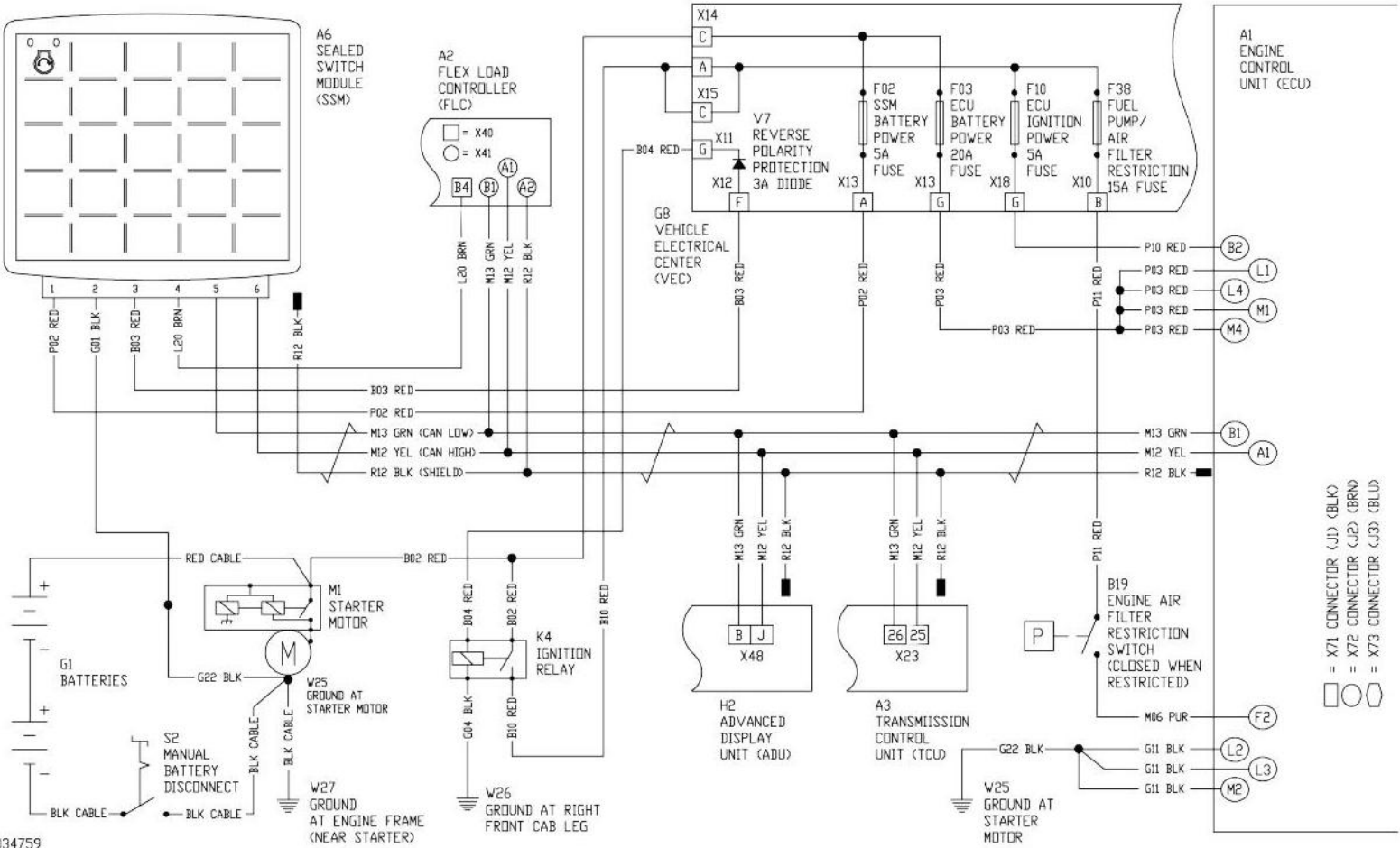
This service manual contains important information for the maintenance, troubleshooting and servicing of the **John Deere 744K T3/S2 4WD Loader (SN.-632967) Diagnostic, Operation and Test Service Manual (TM10682)**

In this manual you will find detailed specifications, illustrations, schematics, diagrams and step-by-step procedures to properly service and diagnose the machine to the manufacturer's standards.

Contents:

- General Information
- Specifications
- Serial Number Location
- Engine Specifications
- Engine Diagnostics
- Engine Tests and Adjustments
- Engine Repair
- Power Train
- Transmission
- Axles
- Differential
- PTO
- Hydraulic System
- Electrical System
- Electrical Tests and Diagnostics
- Wiring Diagram / Schematic
- Ignition and Charging
- Steering
- Brakes
- Wheels
- Operator's Platform
- Body Panels
- Disassembly and Assembly
- Diagnostics, Tests and Adjustments
- Troubleshooting
- and much more...

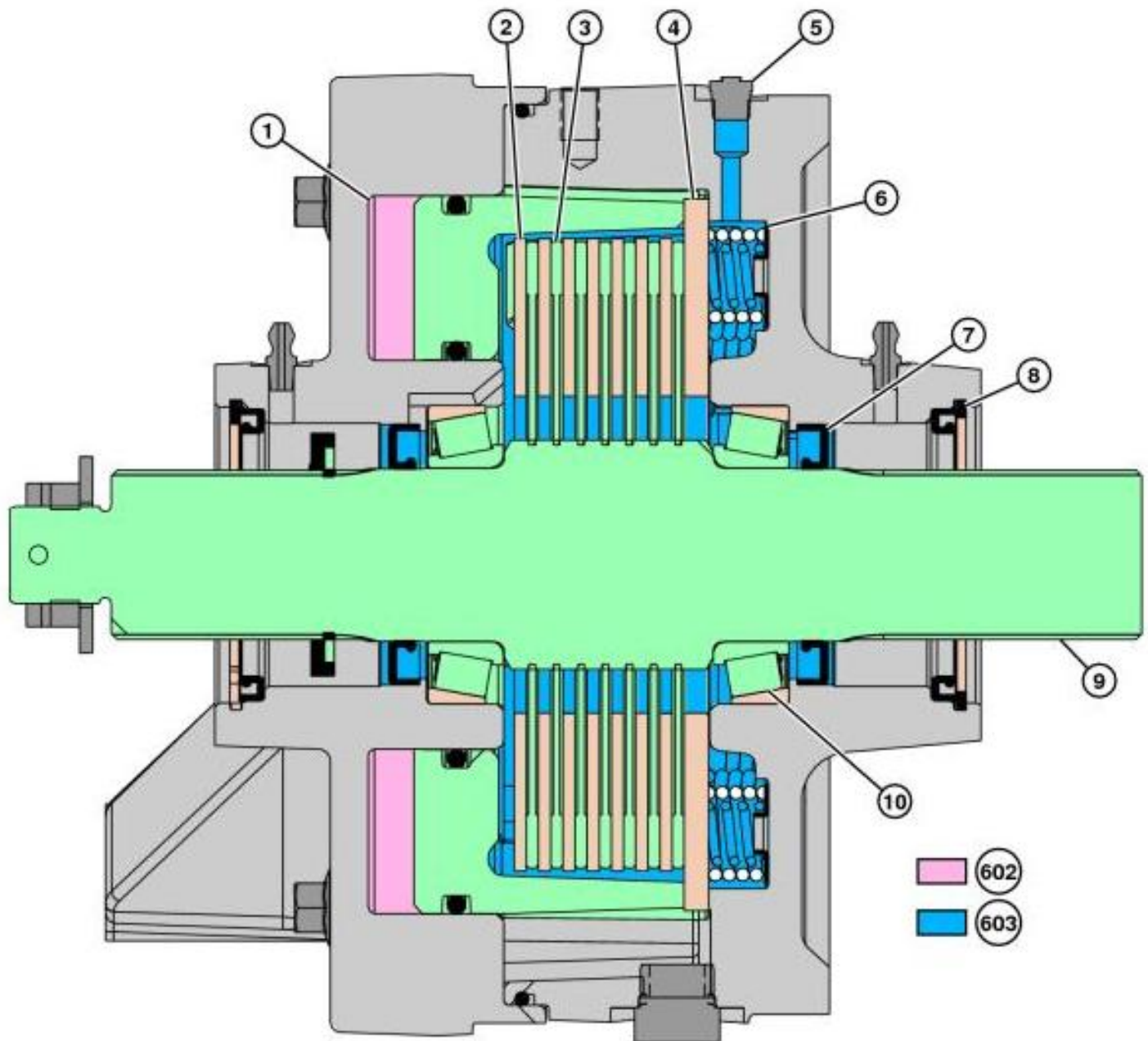
Please note this manual is in **downloadable PDF format only**. If you have any questions about this product or would like to request sample pages, please contact us and reference the product name or SKU.



TX1034759
Engine Control Unit (ECU) Circuit Schematic (1 of 4)

□ = X71 CONNECTOR (J1) (BLK)
 ○ = X72 CONNECTOR (J2) (BRN)
 ○ = X73 CONNECTOR (J3) (BLU)

Park Brake Operation



TX1039356

Park Brake Operation—Park Brake Released

LEGEND:

- | | |
|---|--------------------------|
| 1 | Piston |
| 2 | Separator Plate (7 used) |
| 3 | Brake Disk (7 used) |
| 4 | Primary Disk |



Thank you very much
for your reading.
Please click here
to get more information.