

John Deere 8225R, 8245R, 8270R, 8295R, 8320R, 8345R Tractors Service Repair Technical Manual (TM104319)

**8225R, 8245R,
8270R, 8295R,
8320R, 8345R
Tractors Repair**

REPAIR TECHNICAL MANUAL

8225R, 8245R, 8270R, 8295R, 8320R, 8345R (S. N. 01001—053099)(Russia
S. N.001001—052200)

TM104319 14JAN13 (ENGLISH)

For complete service information also see:

8225R, 8245R, 8270R, 8295R, 8320R &
8345R Tractors - Diagnostic Technical Manual TM104219

Alternators and  M77

PowerTech™ 9.0
Base Engine Repair

PowerTech 9.0 L Diesel E
14 Electronic Fuel System
HPCR

Hydraulic Cylinders

CTM120519

DOWNLOAD



John Deere Agriculture

Covers: 000101-,053099);,8225R,8245R,8270R,8295R,8320R,8345R

Type: Service Manual

Language: English

Pages: 1973

Format: PDF

Features: Bookmarked, searchable, printable

Compatibility: Windows/Mac/Tablet/Mobile

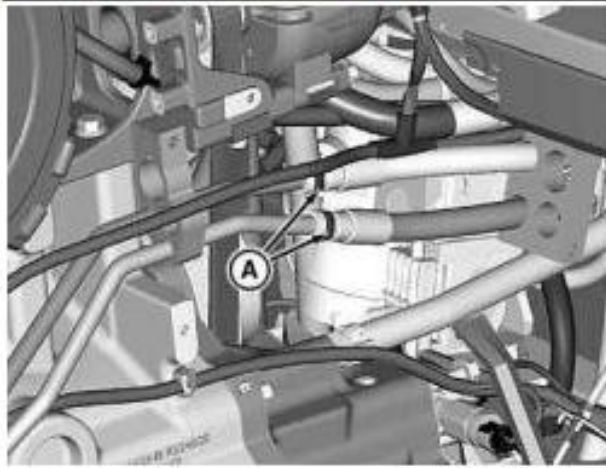
This service manual contains important information for the maintenance, troubleshooting and servicing of the **John Deere 8225R, 8245R, 8270R, 8295R, 8320R, 8345R Tractors Service Repair Technical Manual (TM104319)**

In this manual you will find detailed specifications, illustrations, schematics, diagrams and step-by-step procedures to properly service and diagnose the machine to the manufacturer's standards.

Contents:

- General Information
- Specifications
- Serial Number Location
- Engine Specifications
- Engine Diagnostics
- Engine Tests and Adjustments
- Engine Repair
- Power Train
- Transmission
- Axles
- Differential
- PTO
- Hydraulic System
- Electrical System
- Electrical Tests and Diagnostics
- Wiring Diagram / Schematic
- Ignition and Charging
- Steering
- Brakes
- Wheels
- Operator's Platform
- Body Panels
- Disassembly and Assembly
- Diagnostics, Tests and Adjustments
- Troubleshooting
- and much more...

Please note this manual is in **downloadable PDF format only**. If you have any questions about this product or would like to request sample pages, please contact us and reference the product name or SKU.

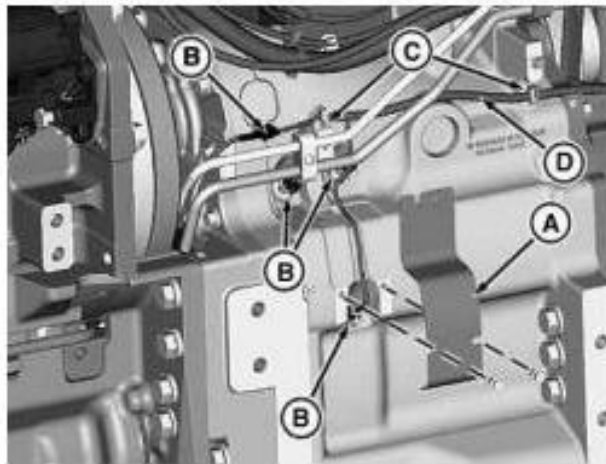
**LEGEND:**

A Steering Line STC Fittings

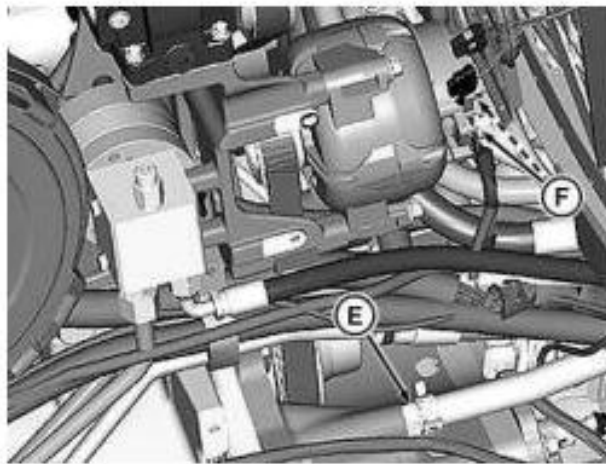
Steering Lines

For tractors equipped without AutoTrac™, perform the following step: Disconnect and identify steering lines (A) for reassembly.

[16] -

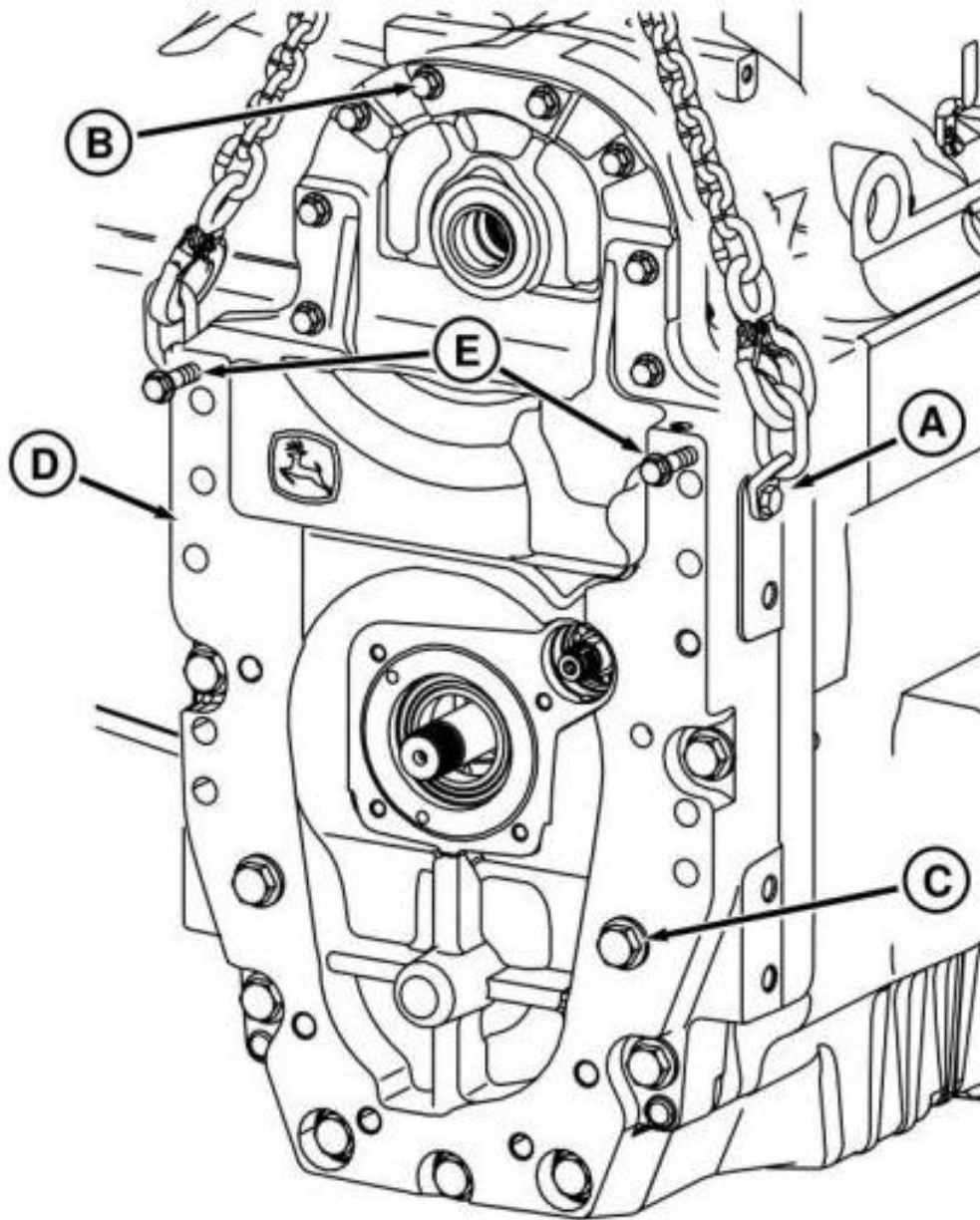
**LEGEND:**

A Shield
 B Wiring Connector
 C Harness Clamps
 D Harness
 E Return Hose
 F Alternator Wiring Harness

Wiring Connector**Hose**

Remove shield (A).

[17] - Disconnect wiring connectors (B) and remove harness (D) from harness clamps (C).



Front Cover Attached to Hoist

LEGEND:

- A JDG909 Lifting Eyes (2 used)
- B Cap Screws (9 used)
- C Cap Screws (8 used)
- D Front Cover
- E M12 X 110 Cap Screws (2 used)

Attach JDG909 Lifting Eyes (A) and a chain to an overhead hoist.

[9] - Remove all cap screws (B) and (C).

[10] -

→NOTE:

Use two M12 X 110 cap screws (E) to force housings apart.

Remove front cover (D).



Thank you very much
for your reading.
Please click here
to get more information.