

John Deere 853J, 903J, 953J Tracked Feller Buncher Diagnostic and Test Service Manual (TM10270)

853J, 903J, 953J Tracked
Feller Buncher
Diagnostic



OPERATION AND TEST MANUAL

Track models 853J, 903J, 953J

TM10270 04 MAR 15 (ENGLISH)

For complete service information also see:

853J, 903J, 953J Tracked Feller Buncher Repair	TM10271
PowerTech 8.1 L Diesel Engines Base Engine	CTM86
Alternators and Starting Motors	CTM77
OEM Engine Accessories	CTM67
Super Caddy Oil C	CTM310
PowerTech 8.1L Diesel Engines Base Engine	CTM86
Pressure Common	
PowerTech 6.8L and 8.1L, 60	
Systems with Bosch In-Line P	
120 Series Hydraulic Cylinders	CTM10020

PDF



DOWNLOAD



John Deere Construction and Forestry
Printed by Belgreen



Covers: 853J,903J,953J

Type: Service Manual

Language: English

Pages: 749

Format: PDF

Features: Bookmarked, searchable, printable

Compatibility: Windows/Mac/Tablet/Mobile

This service manual contains important information for the maintenance, troubleshooting and servicing of the **John Deere 853J, 903J, 953J Tracked Feller Buncher Diagnostic and Test Service Manual (TM10270)**

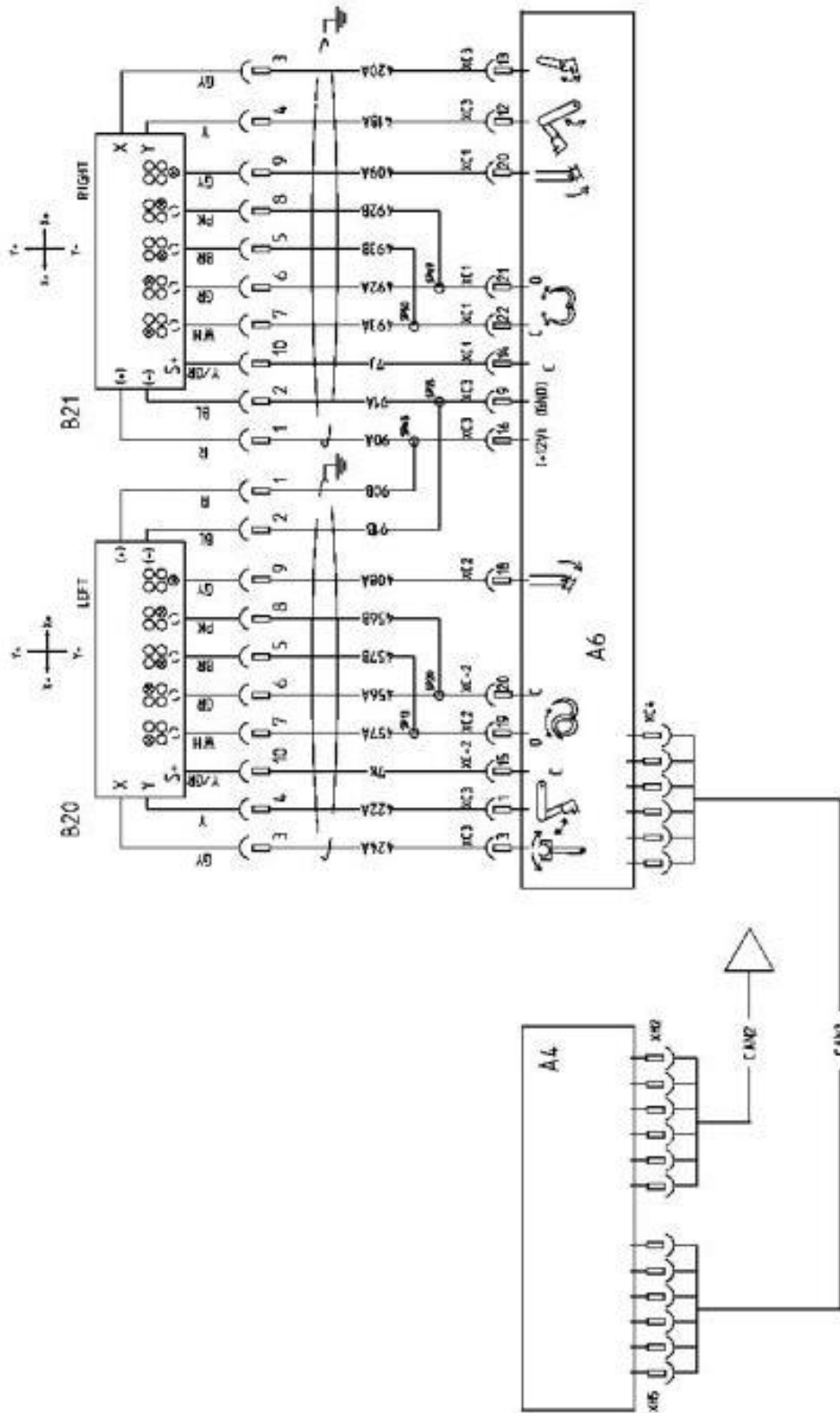
In this manual you will find detailed specifications, illustrations, schematics, diagrams and step-by-step procedures to properly service and diagnose the machine to the manufacturer's standards.

Contents:

- General Information
- Specifications
- Serial Number Location
- Engine Specifications
- Engine Diagnostics
- Engine Tests and Adjustments
- Engine Repair
- Power Train
- Transmission
- Axles
- Differential
- PTO
- Hydraulic System
- Electrical System
- Electrical Tests and Diagnostics
- Wiring Diagram / Schematic
- Ignition and Charging
- Steering
- Brakes
- Wheels
- Operator's Platform
- Body Panels
- Disassembly and Assembly
- Diagnostics, Tests and Adjustments
- Troubleshooting
- and much more...

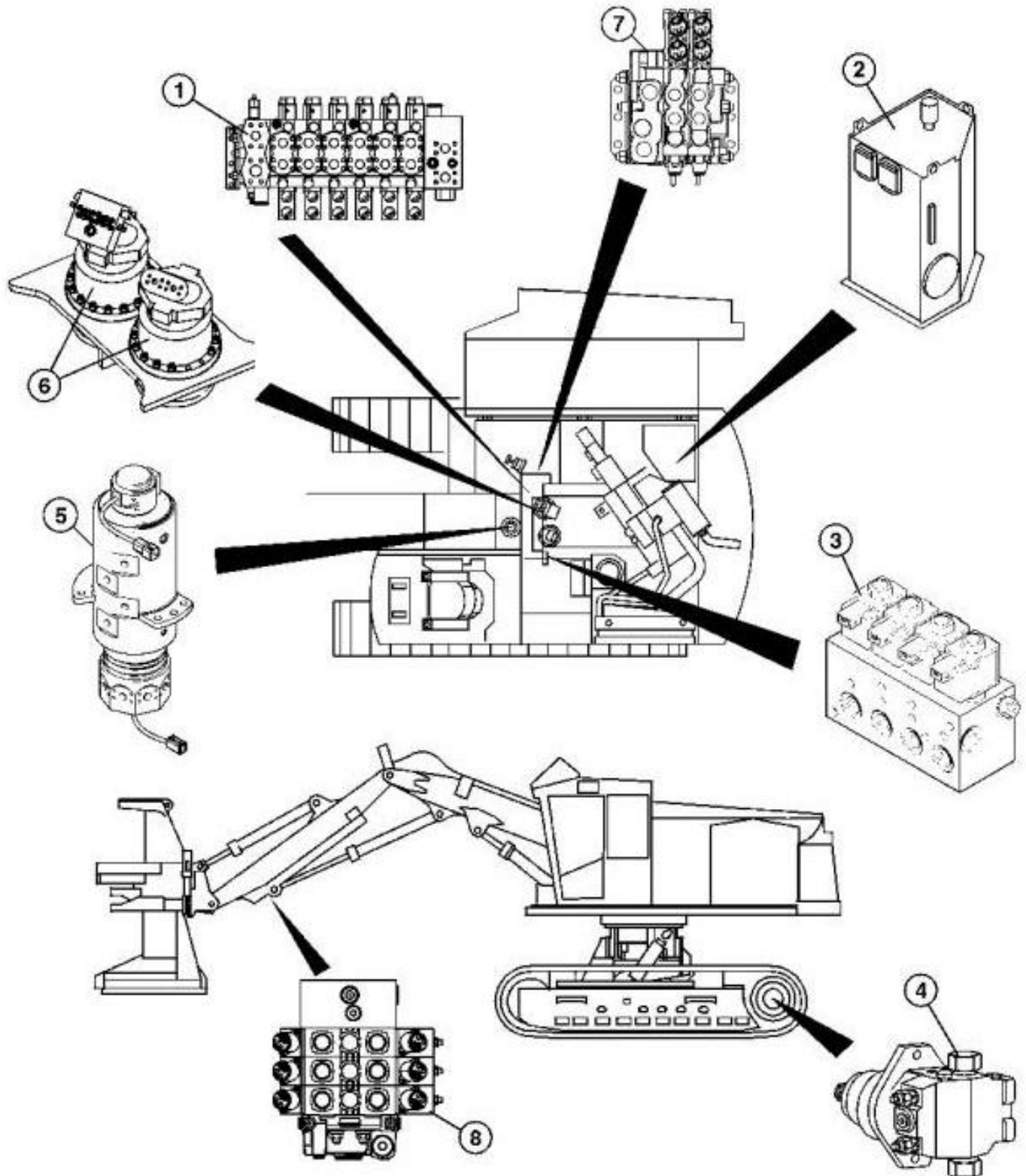
Please note this manual is in **downloadable PDF format only**. If you have any questions about this product or would like to request sample pages, please contact us and reference the product name or SKU.

Controls Circuits Schematics



Joystick Swing/Boom/Wrist/Clamp Circuits (Sht 1 of 2)

Pilot Hydraulic System Circuits



TX1019291

Pilot Hydraulic System Components (S.N. —163367)



Thank you very much
for your reading.
Please click here
to get more information.