

John Deere 853J, 903J, 953J Tracked Feller Buncher Service Repair Technical Manual (TM10271)

853J, 903J, 953J Tracked
Feller Buncher Repair



REPAIR TECHNICAL MANUAL

Track models 853J, 903J, 953J

TM10271 29 APR 15 (ENGLISH)

For complete service information also see:

853J, 903J, 953J Tracked Feller Buncher Diagnostic	TM10270
PowerTech 8.1 L Diesel Engines Base Engine	CTM86
Alternators and Starting Motors	CTM77
OEM Engine Accessories	CTM67
Super Caddy Oil C	CTM310
PowerTech 8.1L D	
Pressure Common	
PowerTech 6.8L and 8.1L, 60	
Systems with Bosch In-Line P	
120 Series Hydraulic Cylinders	CTM120519

PDF



DOWNLOAD



John Deere Construction and Forestry
Printed by Belgreen



Covers: 853J,903J,953J

Type: Service Manual

Language: English

Pages: 362

Format: PDF

Features: Bookmarked, searchable, printable

Compatibility: Windows/Mac/Tablet/Mobile

This service manual contains important information for the maintenance, troubleshooting and servicing of the **John Deere 853J, 903J, 953J Tracked Feller Buncher Service Repair Technical Manual (TM10271)**

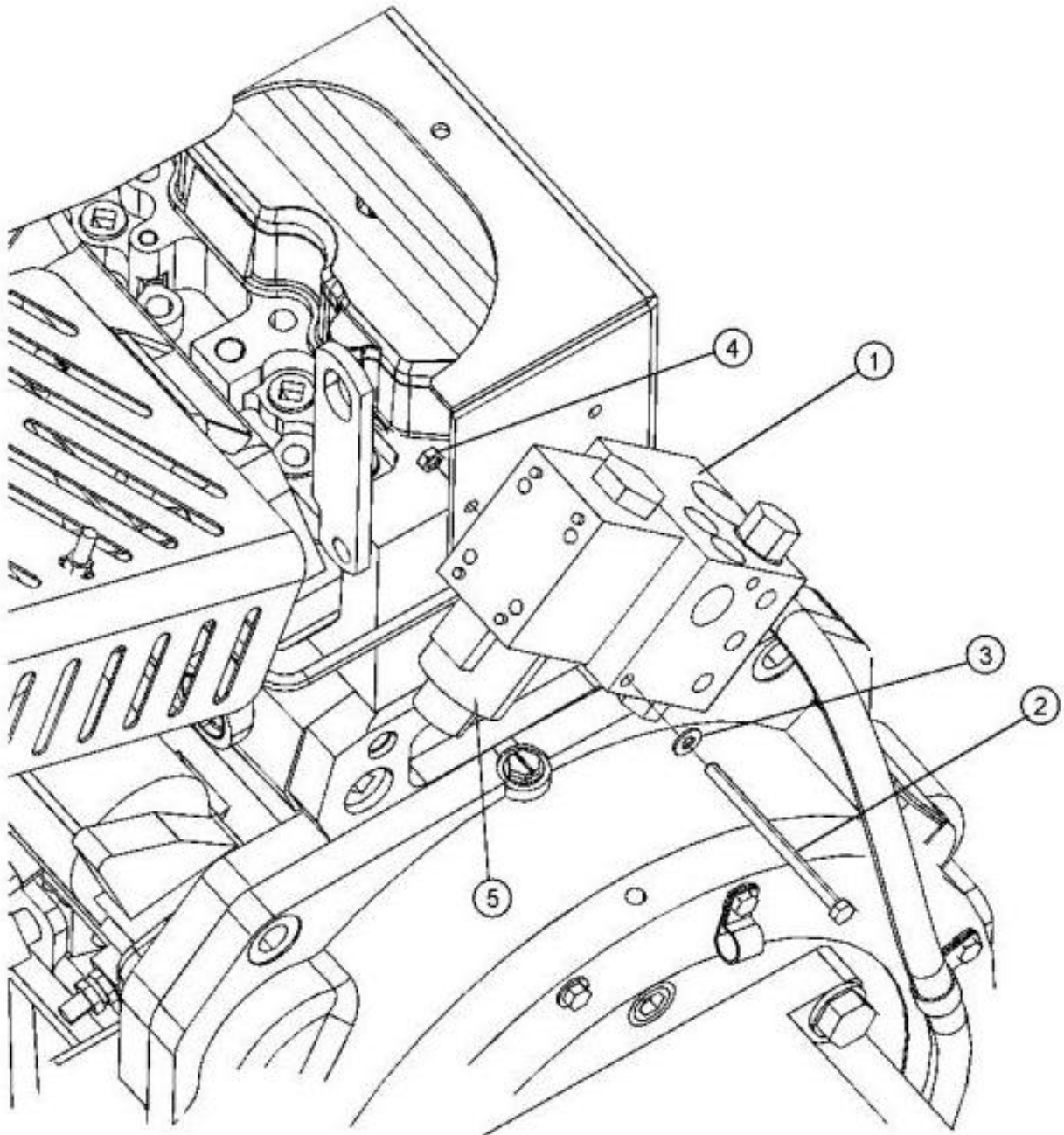
In this manual you will find detailed specifications, illustrations, schematics, diagrams and step-by-step procedures to properly service and diagnose the machine to the manufacturer's standards.

Contents:

- General Information
- Specifications
- Serial Number Location
- Engine Specifications
- Engine Diagnostics
- Engine Tests and Adjustments
- Engine Repair
- Power Train
- Transmission
- Axles
- Differential
- PTO
- Hydraulic System
- Electrical System
- Electrical Tests and Diagnostics
- Wiring Diagram / Schematic
- Ignition and Charging
- Steering
- Brakes
- Wheels
- Operator's Platform
- Body Panels
- Disassembly and Assembly
- Diagnostics, Tests and Adjustments
- Troubleshooting
- and much more...

Please note this manual is in **downloadable PDF format only**. If you have any questions about this product or would like to request sample pages, please contact us and reference the product name or SKU.

Fan Reverse Control Valve Remove and Install



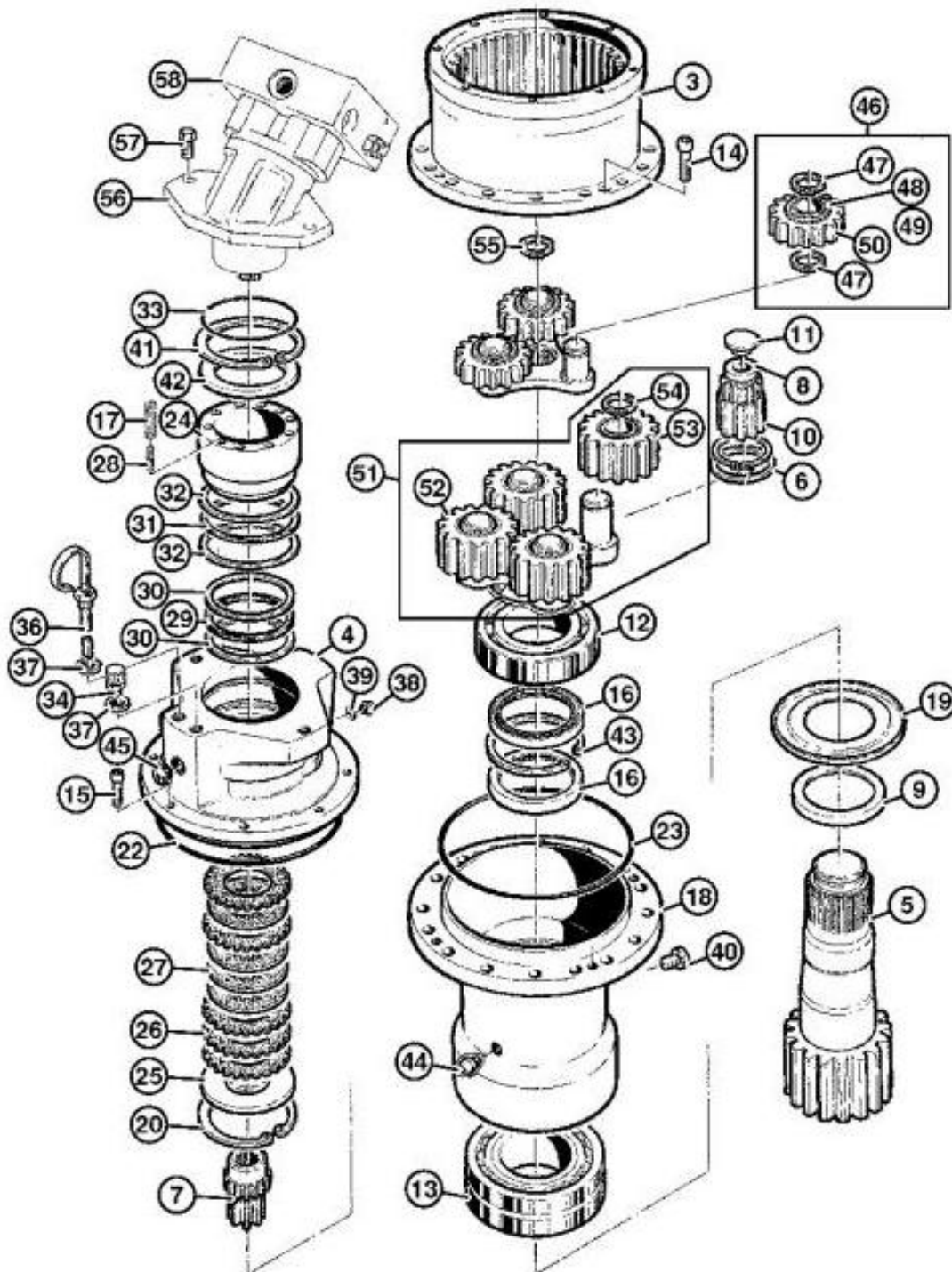
Fan Reverse Control Valve Mounting

LEGEND:

- | | |
|---|-----------------------------|
| 1 | Fan Reverse Control Valve |
| 2 | Cap Screw |
| 3 | Flat Washer |
| 4 | Lock Nut |
| 5 | Fan Reverse Solenoid (Y101) |

Group 4350 - Swing Gearbox

Swing Drive Gearbox Components



TX1017187

Swing Gearbox Exploded View

LEGEND:

3 Middle Housing
4 Upper Housing



Thank you very much
for your reading.
Please click here
to get more information.